

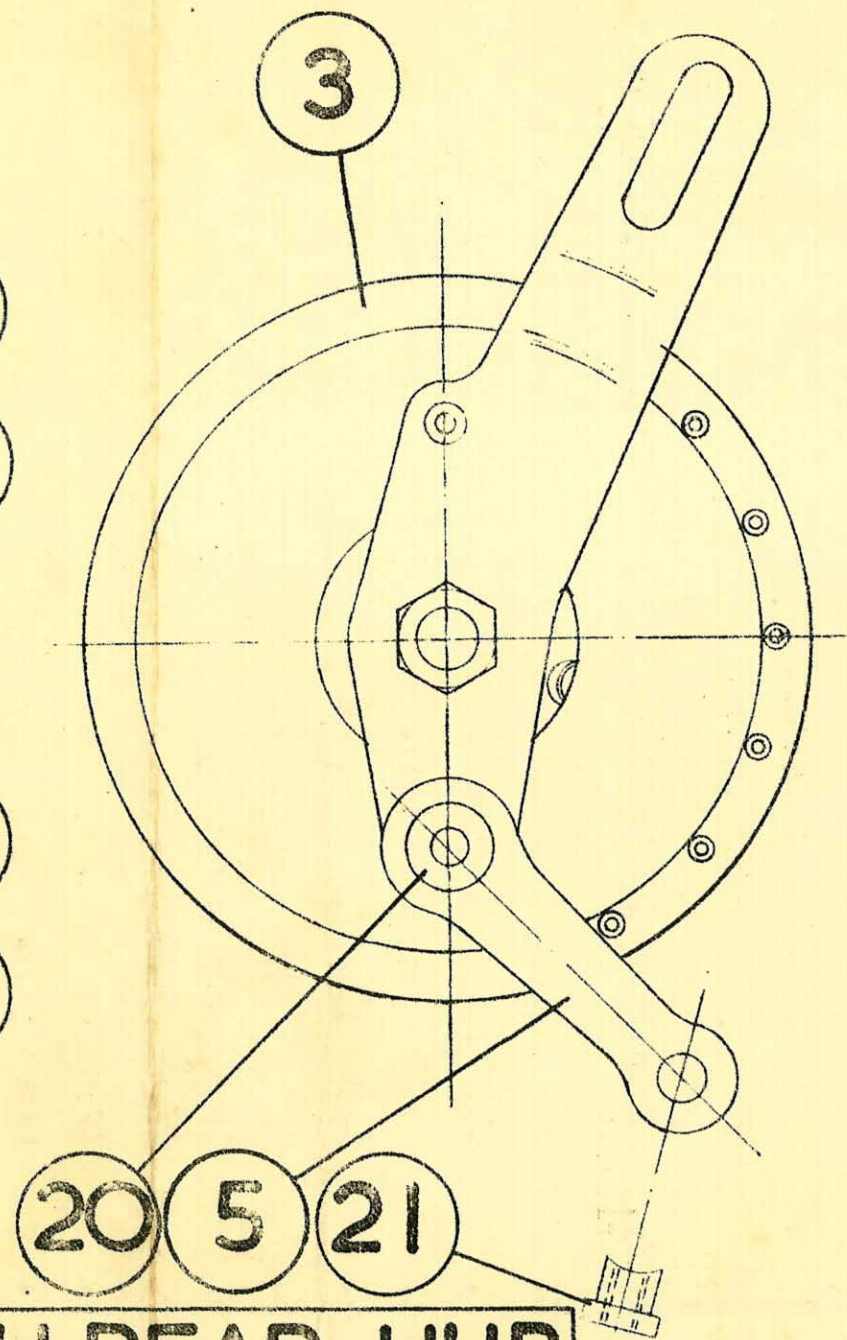
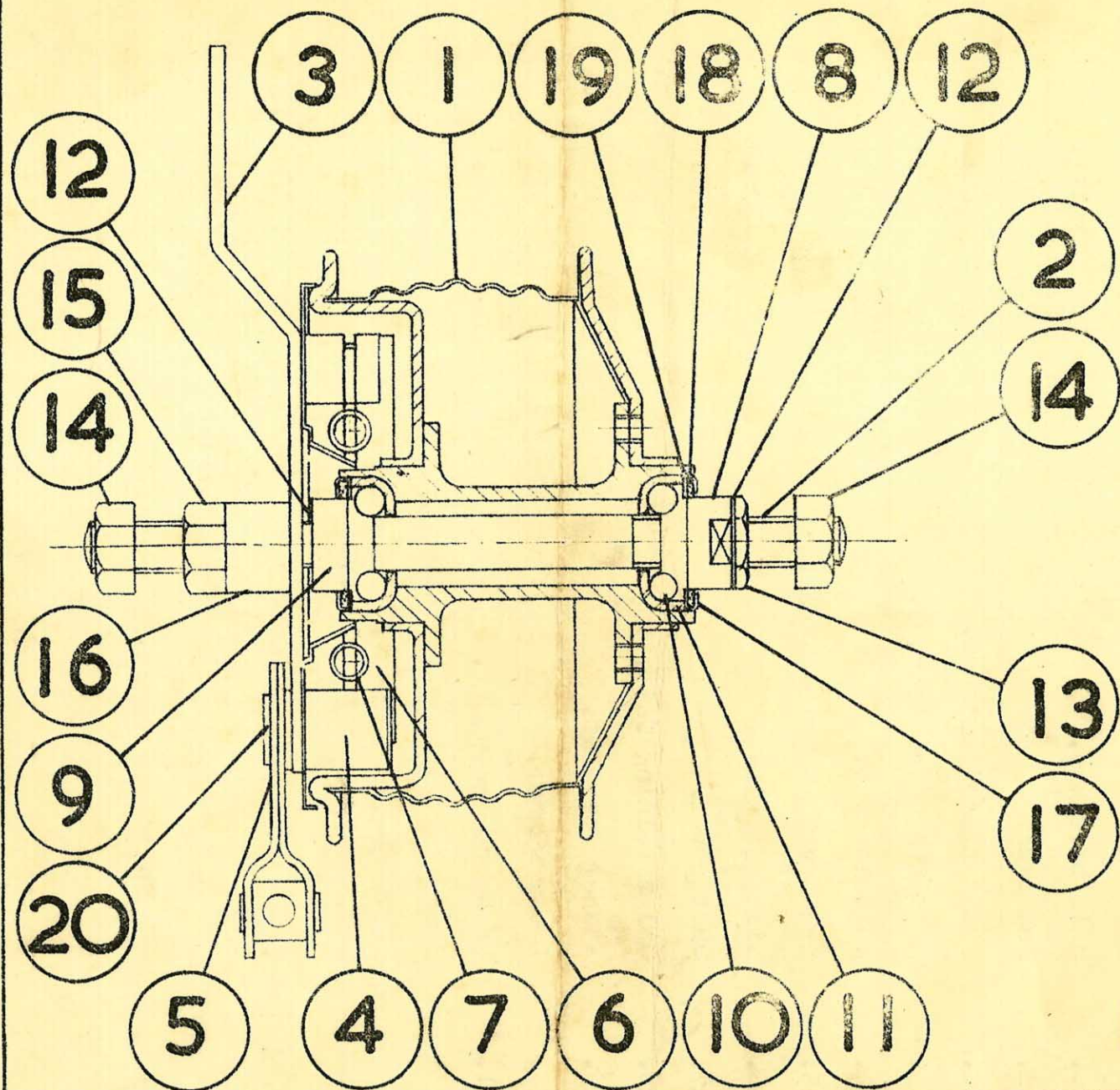
MOPED SPARE PART PRICES.

B.H. REAR HUB.

<u>Illus. No.</u> (See overleaf).	<u>Description.</u>	<u>No. Off.</u>	<u>Part No.</u>	<u>Price.</u>		
				<u>£.</u>	<u>s.</u>	<u>d.</u>
L.	Hub shell.	1	BH1	1	15	0
2.	Spindle.	1	BH2		5	9
3.	Brake side plate only.	1	BH3		6	11
4.	Brake cam.	1	BH4		3	7
5.	Cam lever with roller.	1	BH5		3	9
6.	Brake shoe complete.	1pr.	BH6	pr	12	6
7.	Brake return springs.	2	BH7			5
8.	Adjusting cone.	1	BH8		1	3
9.	Fixed cone.	1	BH9		1	3
10.	Ball bearings.	20	BH10			2
11.	Hub cups.	2	BH ₁₁		1	2
12.	7/16" x 3/4" washers.	2	BH12			2
13.	Adjusting cone locknut.	1	BH13			5
14.	Spindle nuts.	2	BH14			9
15.	Brake side plate locknut.	1	BH15			9
16.	Distance piece.	1	BH16			8
17.	Dust cover.	2	BH17			5
18.	Oil retaining felt.	2	BH18			5
19.	Washer for felt.	2	BH19			3
20.	Lever washer.	1	BH20			2
21.	Brake rod adjuster.	1	BH21		1	1

...

Feb. 1957.



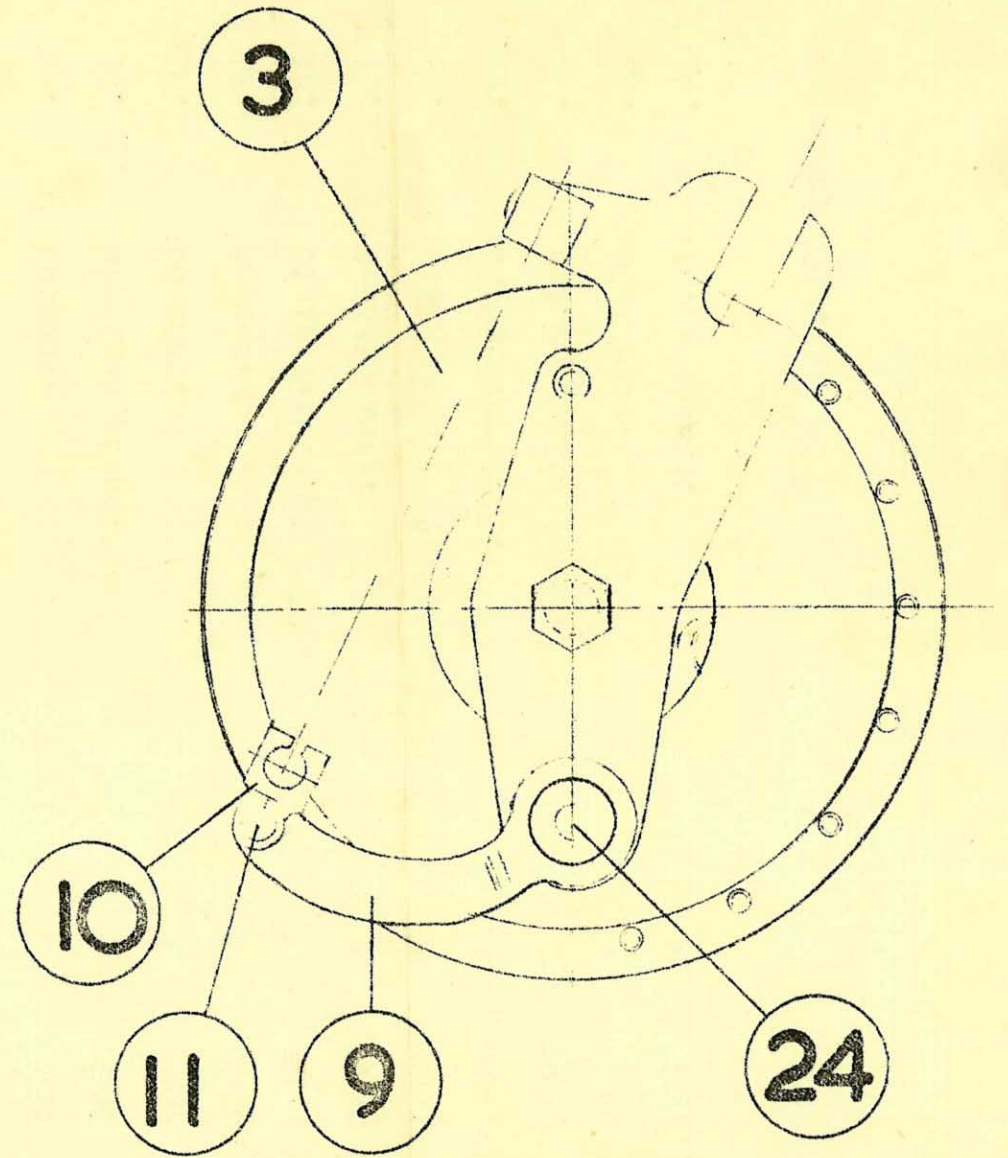
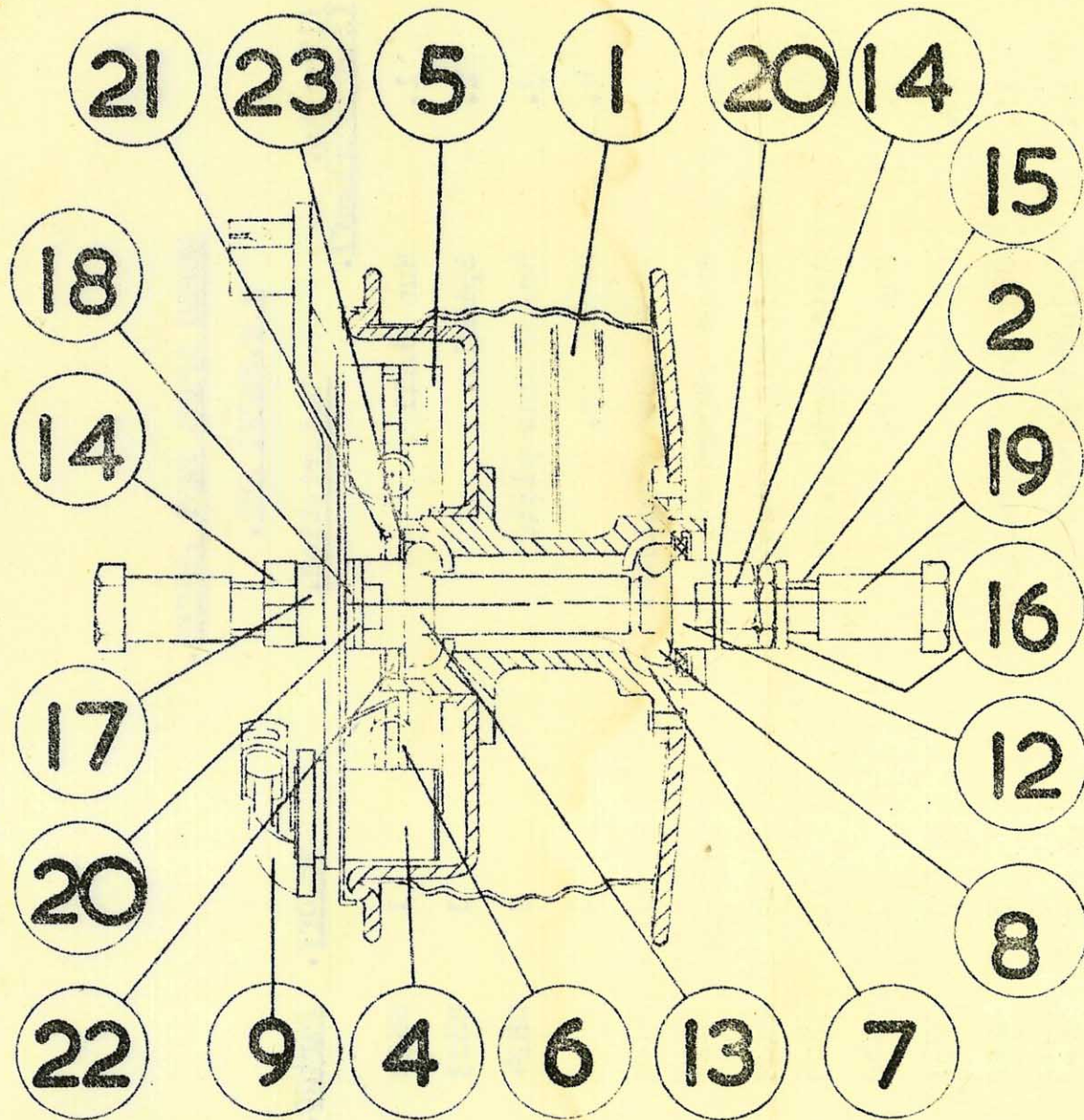
SHEET 2 | BULLETIN 24 | B.H. REAR HUB

MOPED SPARE PART PRICES.

B.H.FRONT HUB.

<u>Illus No.</u> (See overleaf).	<u>Description.</u>	<u>No.Off.</u>	<u>PartNO.</u>	<u>Price.</u> £. s. d.
1.	Hub shell	1	BH22	1 8 9
2.	Spindle.	1	BH23	3 9
3.	Brake side plate	1	BH24	6 11
4.	Brake cam.	1	BH25	3 7
5.	Brake shoe complete.	1pr.	BH26	pr.12 6
6.	Brake return springs.	2	BH27	5
7.	Ball cups.	2	BH28	8
8.	Ball bearings.	18	BH29	2
9.	Cam lever.	1	BH30	10
10.	Cam lever shackle.	1	BH31	4
11.	Cam lever shackle rivet.	1	BH32	1
12.	Adjusting cone.	1	BH33	1 1
13.	Fixed cone.	1	BH34	1 1
14.	Locknut.	2	BH35	3
15.	Distance piece.	1	BH36	4
16.	Locknut.	1	BH37	3
17.	Spacer.	1	BH38	8
18.	Plain washer $\frac{3}{8}$ " x 17g. x 11/16"	1	BH39	2
19.	Spindle nuts.	2	BH40	10
20.	Plain washer $\frac{3}{8}$ " x 16g. x 11/16"	2	BH41	2
21.	Washer for felt.	2	BH42	3
22.	Oil retaining felts.	2	BH43	3
23.	Dust caps.	2	BH44	4
24.	Lever washer.	1	BH45.	2

February 1957. REAR WHEEL SPINDLE C/PTE - BALLS 16 - 11
 " " " " + " 19 - 7
 FRONT " " " " - " 13 - 4
 " " " " + " 16 - 4



SHEET 2.

BULLETIN 25

B.H. FRONT HUB

SUPPLEMENTARY SPARES LIST COVERING SPRING FRAME
MOPEDS.

<u>Description</u>	<u>Part No.</u>	<u>No. off</u>	<u>Price each</u>		
			£.	s.	d.
Frame assembly less spring units	MESP	1	10.	16.	3.
Rear fork end casting R.H.	MSP1 <i>C</i>	1		10.	3.
Rear fork end casting L.H.	MSP2 <i>C/a</i>	1		9.	7.
Guide Rod.	MSP3 <i>B</i>	2		3.	7.
Spring dust cups.	MSP4 <i>G</i>	2		1.	2.
Bronze bush (2 per fork end)	MSP5	4			8.
Spring tube caps	MSP6 <i>E&H</i>	4			11.
Springs	MSP7 <i>F</i>	2	<i>H.W 2/3</i>	1.	3.
Top dome nuts.	MSP8 <i>A</i>	2			9.
Bottom hexagon nuts.	MSP9 <i>I</i>	2			6.
Lubricators	MSP10	2			4.
Bottom spring washers	MSP11	2			1.
Top toothed locking washers	MSP12	2			1.
Rebound rubber s	MSP13 <i>D</i>	2			6.
<u>CHAINGUARD</u>					
Chainguard	MCH/SP	1		5.	8.
<u>ENGINE COVERS</u>					
Engine cover LH	ME1/SP	1		10.	8.
Engine cover RH.	ME2/SP	1		5.	9.
Decorative strip (LH engine cover)	ME6/SP	1		3	7
Petrol tank alloy strip	MF8/SP	1		7.	11
<u>WHEELS</u>					
Rear wheel spindle	MW35/SP	1		3.	8.
Brake anchor bolt.	MW68/SP	1			9.
Brake anchor bolt washers	MW69/SP	1			1.
Brake anchor bolt simmonds nut.	MW70/SP	1			4.
Driving chain 93L.	MW61/SP	1		10.	2.

-.-.-.-.-

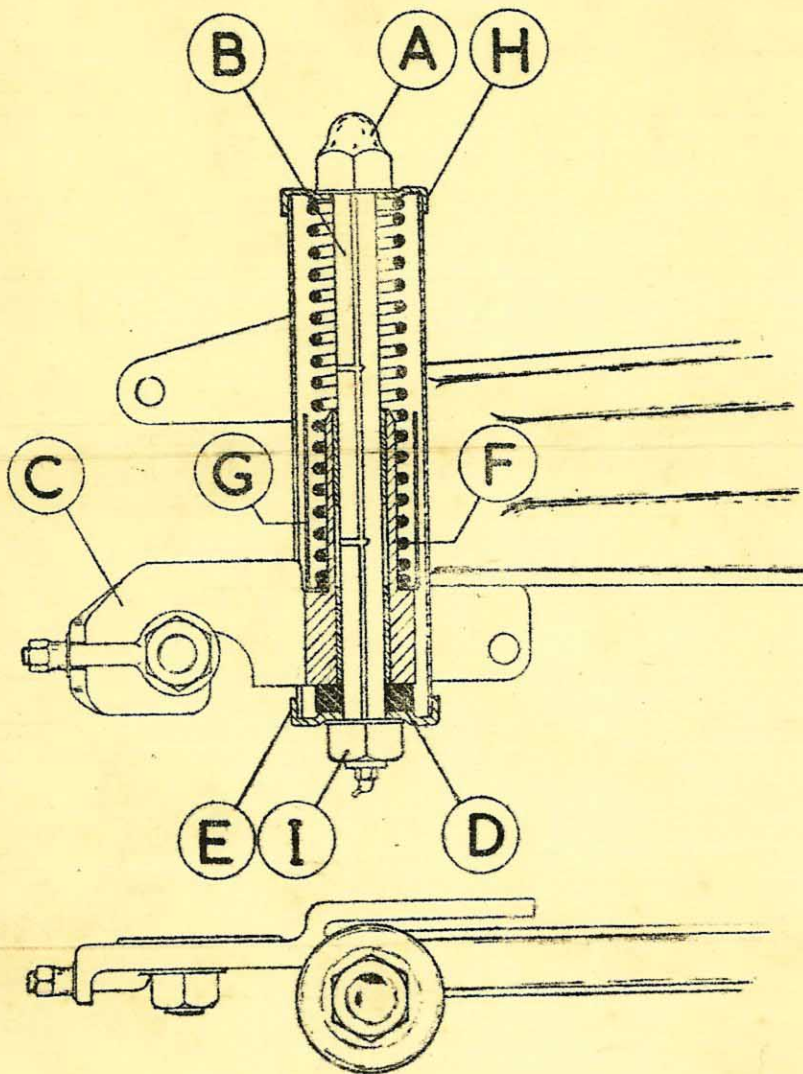
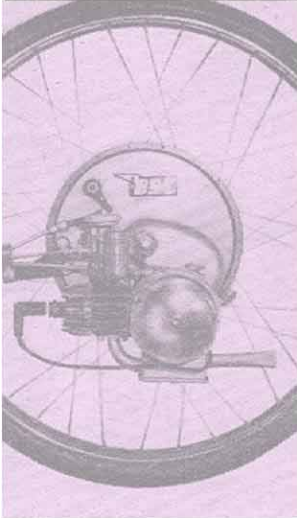


FIG. 3A

IceniCAM Information Service



www.icenicam.org.uk