

WIRING WIPAC DIAGRAM

JAMES MODEL M.15 150 CC. AC LIGHTING MODELS PRODUCED FROM OCT. 61.

UNIT FOR SPARES

PART No.

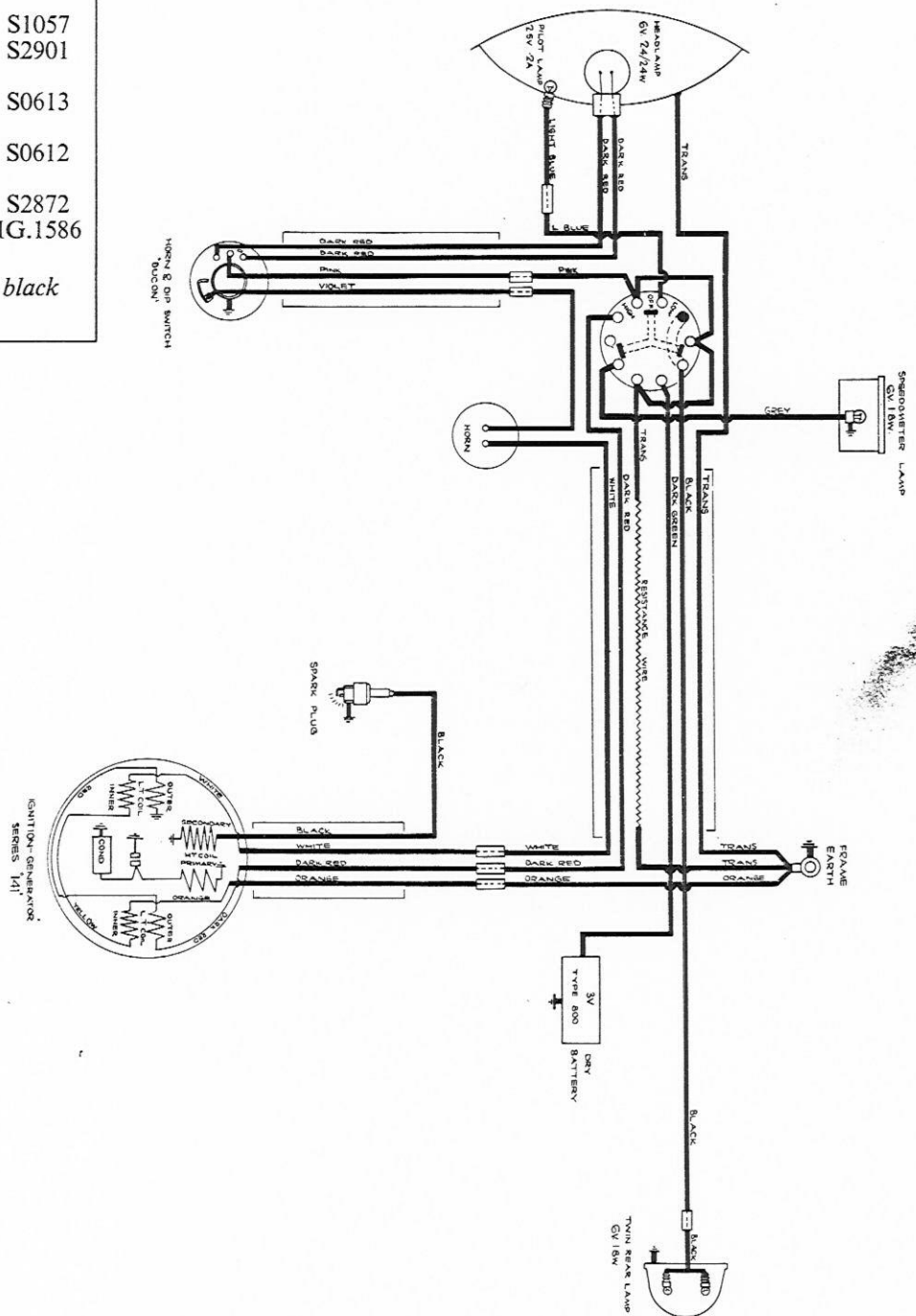
- *Headlamp Unit (less Harness) S1057
- Harness (Main) S2901
- Horn and Dipper Switch S0613
- Leads Set (Dipper Switch) S0612
- Stop and Rear Lamp (Quote bulbs required) S2872
- Ignition Generator IG.1586

*Supplied by Wipac in black only.

THE WIPAC GROUP

BUCKINGHAM

BUCKS



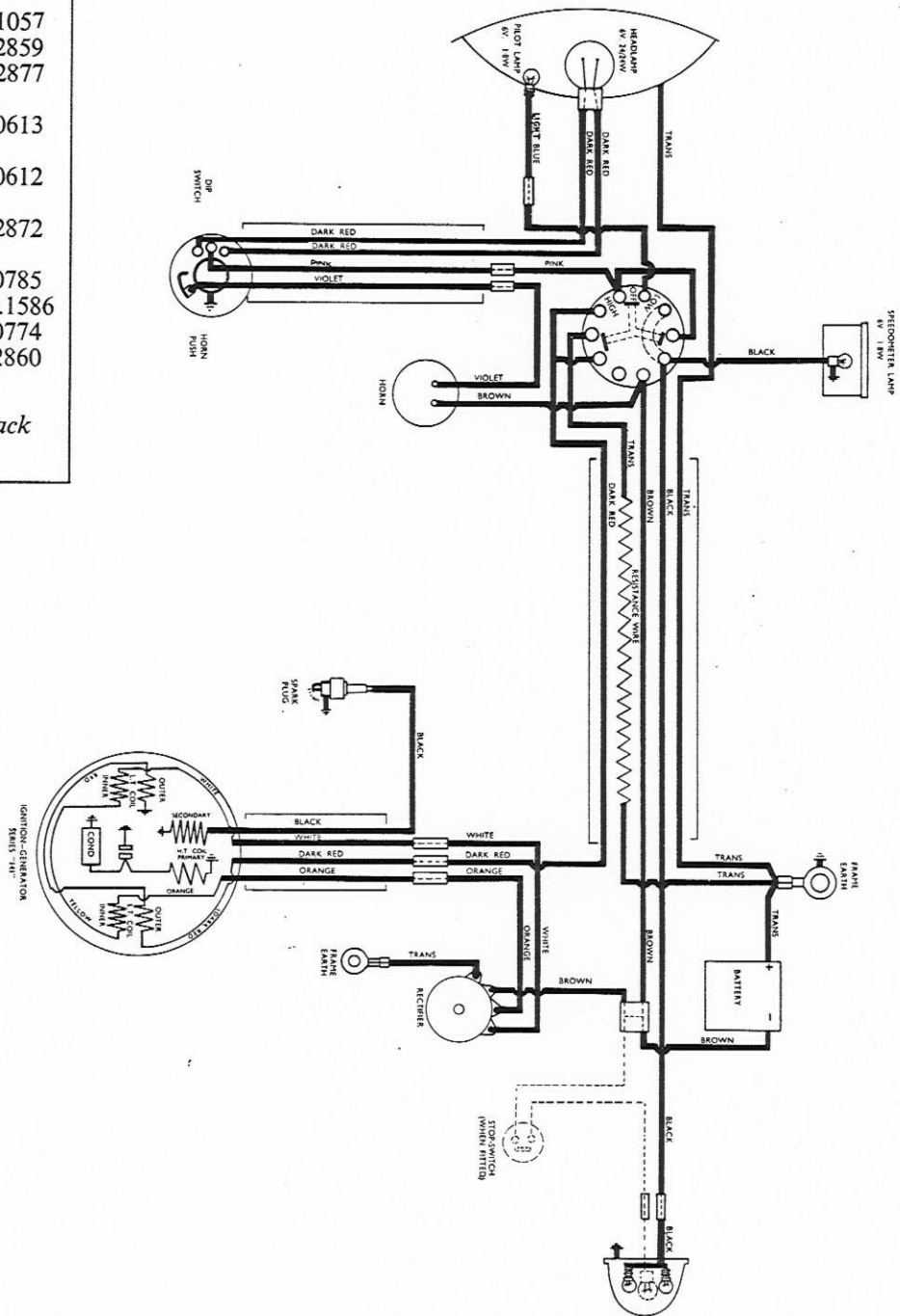
WIRING WIPAC DIAGRAM

JAMES MODEL M.15 150 CC. AD/DC (TRICKLE CHARGE) MODELS PRODUCED FROM OCT. 61.

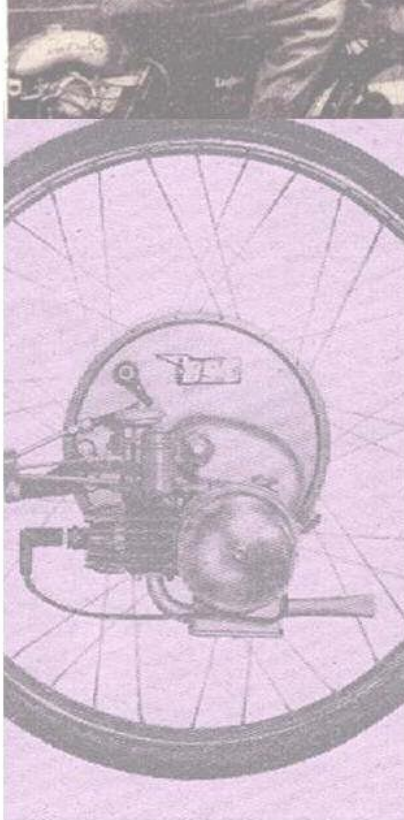
THE WIPAC GROUP · BUCKINGHAM · BUCKS

UNIT FOR SPARES	PART No.
*Headlamp Unit (less Harness)	S1057
Harness (Main)	S2859
Rectifier	S2877
Horn and Dipper Switch	S0613
Leads Set (Dipper Switch)	S0612
Stop and Rear Lamp (Quote bulbs required)	S2872
Leads Set (Rear Lamp)	S0785
Ignition Generator	IG.1586
Stop Switch	S0774
Leads (Stop Switch)	S2860

*Supplied by Wipac in black only.



IceniCAM Information Service



www.icenicam.org.uk