

LAWNRIDER MOWS AND ROLLS

That you ride it, not drive it, is the principle that sets **LAWNRIDER** apart from ordinary power mowers. It's a big difference embodying big advantages; but the most obvious of these—the one that's occurred to you already—is not the most important. Coasting along on **LAWNRIDER** is a lot less effort than walking behind a conventional power mower—90%—but for the man who really cares about his garden, these facts are more significant:—

LAWNRIDER mows a lawn just about twice as fast as any other domestic power mower of comparable cutter width. You get more time for other garden tasks.

LAWNRIDER does a thorough, all-over job more easily than conventional power mowers. This is because of **LAWNRIDER's** unique operating manoeuvrability.

LAWNRIDER cuts more evenly than pedestrian mowers.

LAWNRIDER allows you to roll as often as you mow—the only way to get a perfect lawn.

LAWNRIDER blades deliver eighty-five cutting strokes per yard.



BRITISH
ANZANI

LAWNRIDER

BRITISH ANZANI ENGINEERING COMPANY LIMITED · WINDMILL ROAD · HAMPTON HILL · MIDDX. · TEL: MOLSELEY 2690/1



BRITISH

ANZANI

LAWNRIDER

A REVOLUTIONARY LAWN-CARE SYSTEM

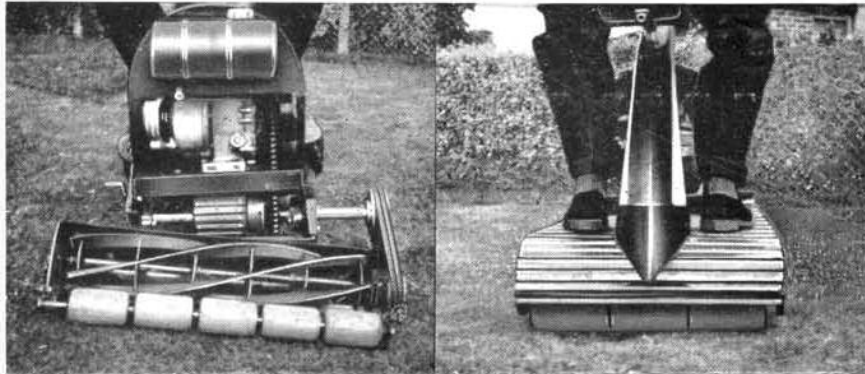


LAWNRIDER IS QUICKER You don't waste time at the end of a strip manoeuvring into position for the return journey. You simply turn through 180° and double back—without stopping, without getting off. The smaller the lawn, the bigger your saving in time and temper.

LAWNRIDER IS MORE THOROUGH See how easy it is to mow borders. No more stumbling along with one foot in the flower bed!

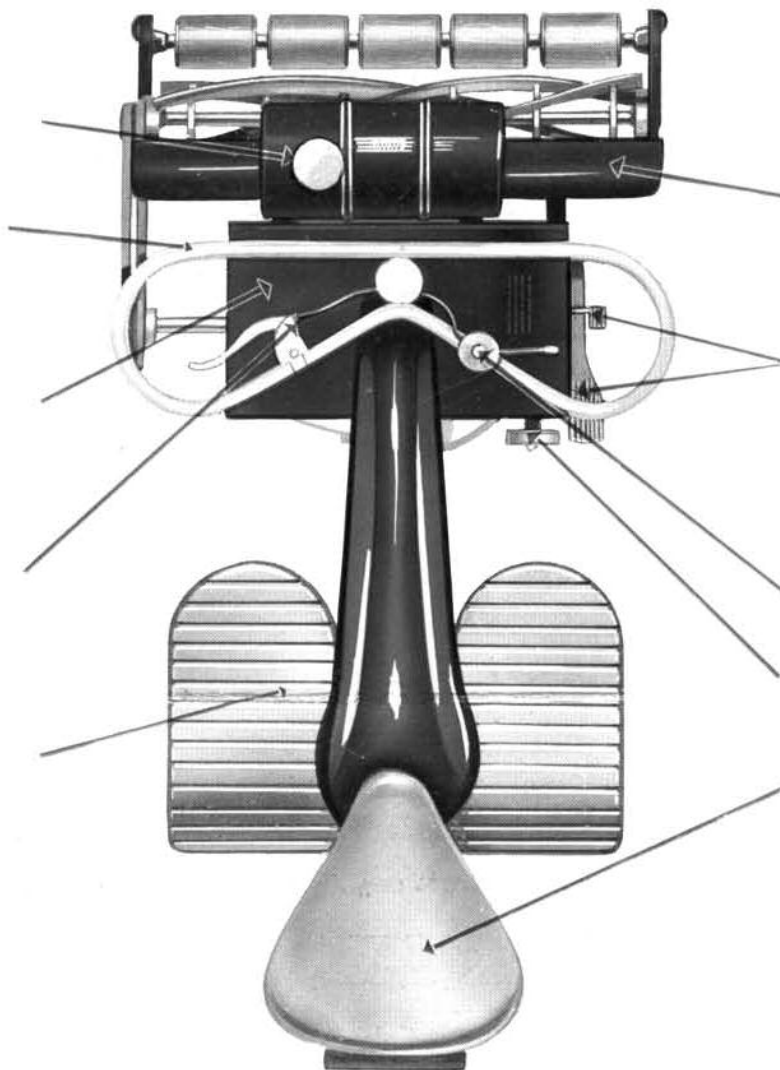


LAWNRIDER CUTS MORE EVENLY The fully-floating cutter-box maintains a constant cutting height. With a pedestrian mower, varying pressure on the guide handles inevitably causes uneven cutting.



LAWNRIDER DOES AWAY WITH THE GARDEN ROLLER Full-weight of machine plus full weight of driver—directly applied.

DRIVER'S-EYE-VIEW OF SIT DOWN ROLLER-MOWING.



PETROL TANK: Large capacity petrol tank is easy to fill.

HANDLEBARS: Easy steering takes you through end-of-row U-turns, without stopping. You can twist and turn between shrubs, dodge round trees, cut right up along the edge of a border.

ENGINE: A robust 4-stroke engine that's powerful enough to drive **LAWNRIDER** plus an eighteen stone operator—uphill too!

SAFETY CLUTCH: An additional safety measure when starting.

FOOT-REST PLATFORM: Underneath are the rollers. **LAWNRIDER** puts the whole of the driver's weight to work on getting a lawn ironed out.

CUTTER-BOX: The unique fully floating cutter-box can't damage your lawn because it follows lawn-contours independently—won't dig in on bumpy patches.

CUTTER-BOX PEDALS: You lift the cutter-box by stepping on the big pedal, drop it again with the small one. This system lets you take the cutter-box off the ground when crossing paths or riding over ground already covered to empty the grass-box.

THROTTLE: Automatic centrifugal clutch makes starting and stopping easy.

RECOIL STARTER HANDLE

SADDLE: Fully sprung, motor-cycle type. Adjustable for height.

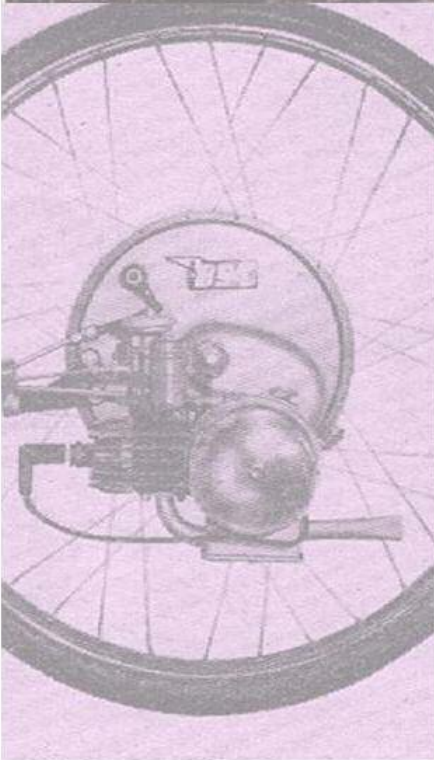
SPECIFICATION

ENGINE 18" model—3 h.p. 24" model—3½ h.p. Powerful four-cycle motor fitted with: Air vane governor, Recoil starter, Large capacity tank, High efficiency silencer, Wet sump lubrication. **TRANSMISSION** Four shoe automatic centrifugal clutch, Epicyclic gear reduction unit, Ferodo lined band clutch, Renolds heavy duty chain, Twin 'V' belt drive for silent and long life. **CUTTER UNIT** Finest quality (Tyzack) Sheffield steel bottom plate, Five finest quality (Tyzack) Sheffield steel single gate spiral blades. Welded construction for extra strength and rigidity. Special backed-off grinding for efficient cutting and long life. **ROLLER** Three independent die cast rollers ensure high manoeuvrability. **SADDLE** Fully sprung, motorcycle type, adjustable saddle. **FRAME** One piece cast aluminium with large footrest platform. **CUTTER BOX** Fully floating, will follow lawn contours independently of body of machine hence cannot dig in on bumpy patches. **CUTTER BOX CONTROLS**

	DIMENSIONS			
	Without Grass Box		With Grass Box	
Height	18"	24"	18"	24"
Length	45"	45"	60"	60"
Width	24"	30"	24"	30"

Cutter box can be lifted by pressing big pedal. This lifts the cutter box away from the ground so that you can travel without cutting, over paths etc. By depressing the small pedal the cutter box drops down ready for operation. **FOOTREST PLATFORM** Platform conceals the rollers. The '**LAWNRIDER**' puts the whole of the driver's weight to work in getting the lawn ironed out. **COWLING** Inside the cowling is a robust 4-stroke engine powerful enough to drive the '**LAWNRIDER**' plus an 18 stone operator. **GRASS BOX** Well designed large capacity grass box is easily removable for emptying. **THROTTLE** Single lever control will start and stop machine. Hand clutch is not necessary to use, except as safety measure when starting. **DRIVE WHEEL** Heavy duty wheel 5" wide, bonded with serrated rubber, ensures maximum traction without marking. **WEIGHT** 18" model—190 lbs. 24" model—200 lbs.

IceniCAM Information Service



www.icenicam.org.uk