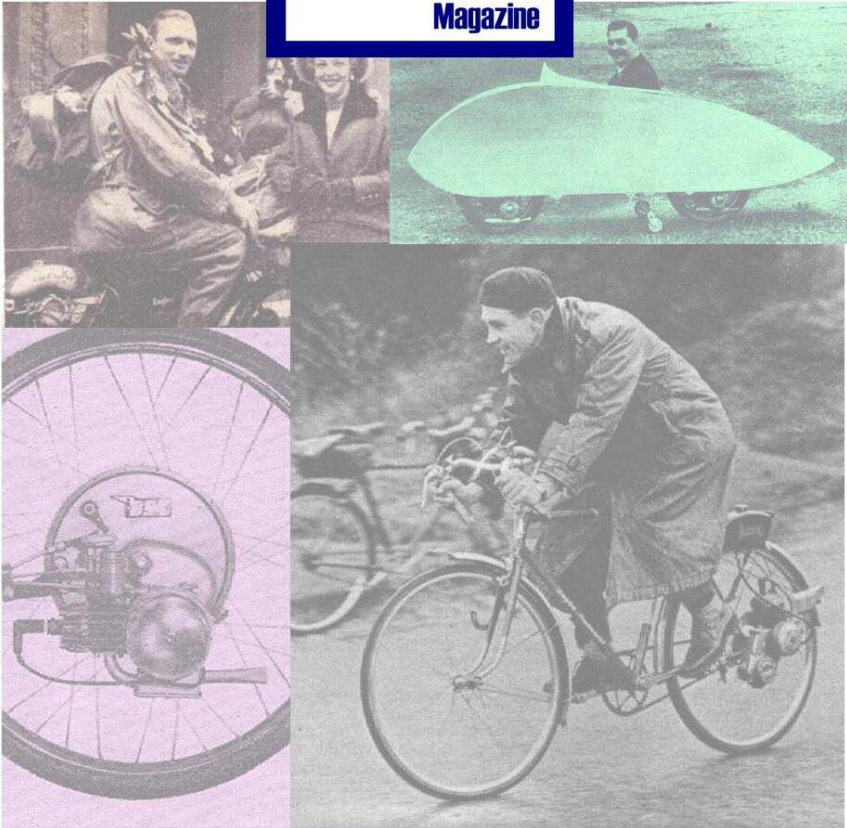


# IceniCAM Information Service



[www.icenicam.org.uk](http://www.icenicam.org.uk)

**CATALOGUE OF  
SPARE PARTS**

**FOR**



**AUTO CYCLE**

**Season  
1950-55  
Price 2/6**



Catalogue of  
Spare Parts for 1950-55



**AUTO CYCLE**

All communications relating to Spare Parts  
or Repairs to Auto Cycles to be addressed

to

**NEW HUDSON LTD.**

WAVERLEY WORKS

**BIRMINGHAM 10**

*Telephones* - BIRMINGHAM, VICTORIA 3711 (6 lines)  
*Telegrams and Cables* - "SELCCY, BIRMINGHAM"

FOR ENGINE REPLACEMENT PARTS,  
PLEASE REFER TO THE OPERATING  
INSTRUCTION AND SPARE PARTS  
LIST FOR VILLIERS ENGINE UNIT,  
PUBLISHED BY  
VILLIERS ENGINEERING CO. LTD.,  
WOLVERHAMPTON.

# Copy of New Hudson Auto Cycle Spare Parts Guarantee.

We give the following guarantee with New Hudson Auto Cycle Spare Parts, instead of the guarantee implied by statute or otherwise, as to the quality or fitness of such parts for the purpose for which they are intended, any such implied guarantee being in all cases excluded, nor can any claim for consequential damages be entertained.

**WE GUARANTEE**, subject to the conditions mentioned below, that all precautions which are usual and reasonable have been taken by us to secure excellence of materials and workmanship, but this guarantee is to extend and be in force for six months only from the date of purchase, and the damages for which we make ourselves responsible under this guarantee are limited to the replacement of any part which may have proved defective.

**WE UNDERTAKE** subject to the conditions mentioned below, to make good at any time within six months any defects in these respects. As auto cycles are easily liable to derangement by neglect or misuse, this guarantee does not apply to defects caused by wear and tear, misuse, or neglect.

## **REPAIRS AND RENOVATIONS GUARANTEE.**

Any New Hudson Auto Cycle sent to us to be replated, re-enamelled, or repaired will be treated upon the same conditions as if it were a new auto cycle, i.e., we guarantee that all precautions which are usual and reasonable have been taken by us to secure excellence of material and workmanship, such guarantee to extend and be in force for six months only from the time such work shall have been executed and this guarantee is in lieu and in exclusion of any Common Law or statute warranty, and the damages recoverable are limited to the cost of any further work which may be necessary to amend and make good the work found to be defective.

## **CONDITIONS OF GUARANTEE.**

If a defective part should be found in our auto cycles it must be sent to Waverley Works, carriage paid, and be accompanied by an intimation from the sender that he desires it repaired free of charge under our guarantee, and he must also furnish us at the same time with the number of the frame and engine, which will be found stamped on the seat lug and crankcase respectively, the name of the Dealer from whom he purchased, and the date of the purchase.

Failing compliance with the above no notice will be taken of anything which may arrive but such articles will lie here at the risk of the sender, and this guarantee or any implied guarantee shall not be enforceable.

We do not guarantee the specialities of other firms, such as engines, tyres, electrical equipment, saddles, etc., or of any component part supplied to the order of the purchaser differing from our standard specifications, whether supplied with our auto cycles or otherwise.

## **THE TERM "AGENT."**

We do not appoint agents for the sale of our auto cycles or other goods. We assign to Auto Cycle Dealers (styled "Regional" Dealers), who carry on business on their own account areas in which they have the exclusive or other right to sell goods purchased from us. A Regional Dealer purchasing from us, or a Sub-Dealer purchasing from him, may, on our behalf (as our agent for the purpose only) give the guarantee printed above. Any such dealer is not authorised to advertise, incur any debts, or transact any business whatsoever on our account, nor is he authorised, so as to bind us to give any warranty or make any representation on our behalf or to sell subject to or with any conditions other than those contained in such guarantee.

## SPARES AND REPAIRS.

Please carry out the following in order to ensure prompt attention and correct execution of orders.

### SPARES.

1. Parts forwarded as patterns and all orders for spares should be addressed to **"Spares," New Hudson Ltd., Waverley Works, Birmingham 10.**
2. When ordering parts the frame and engine numbers must be quoted. The former will be found stamped on the seat lug and the latter on the crankcase immediately below the cylinder base. It is essential that the component numbers of the parts required be clearly stated.

**IMPORTANT.—In quoting engine and frame numbers the full number MUST BE GIVEN.** See specimen order.

3. To avoid delay orders for spare parts should be written on a separate order form or sheet of paper to correspondence on other matters.

### REPAIRS.

4. **All auto cycles, engines, or components for repair, must be consigned to "Repairs," New Hudson Ltd., Waverley Works, Birmingham 10.**
5. In cases where we are simply instructed to "overhaul," the machine or component will be entirely dismantled and all worn parts renewed, re-assembled and tested in a suitable manner.
6. When sending complete auto cycles to us such accessories as lamps, horns, speedometers tools, etc., should be removed, as they are liable to be damaged or lost in transit, for which we cannot accept liability.
7. **In the case of telephone enquiries relating to the supply or repair of auto cycle parts, customers are requested to communicate with the Service Department. Telephone number : Birmingham Victoria 3711.**
8. It frequently happens that parts are forwarded to us which do not bear the sender's name and address. Care in this respect will prevent delay and annoyance.
9. All goods must be consigned to us carriage paid.
10. All prices quoted in the price list do not include the cost of postage or carriage and packing, and are subject to alteration without notice. New Hudson Limited reserve the right to charge for all goods supplied at prices ruling at time of delivery.
11. It must be understood that when no Ledger Account is open with the Company orders must be accompanied by a remittance. At the same time instructions should be given as to the method of despatch (either post, passenger or goods train), and such charges should be included in the remittance. All cheques and Postal Orders should be made payable to New Hudson Limited.
12. Complaints relative to defects in engines, tyres, saddles, and electrical equipment should be sent direct to the manufacturer of such articles as these goods are only guaranteed in accordance with the respective makers' warranty.
13. **You will save time and expense by ordering direct from the nearest Stockist.**

New Hudson Limited reserve the right to alter the designs or any constructional details of their manufactures at any time without giving notice.

## How to Order.

1. QUOTE ENGINE AND FRAME NUMBERS.

The engine number is stamped on the crankcase immediately below the cylinder base, the frame number on the seat lug.

2. State part number of component required and the catalogue description.

3. Address to New Hudson Ltd., Service Dept., Birmingham 10. Telephone Number Birmingham Victoria 3711 (6 lines).

Owners of New Hudson Auto Cycles are strongly recommended to order spares from the nearest New Hudson Dealer. All New Hudson Auto Cycle Dealers carry stocks and you will save time and expense by ordering direct from the nearest stockist.

4. WHEN ORDERING ENAMELLED PARTS IT IS ESSENTIAL TO STATE COLOUR—I.E., MAROON, GREEN OR BLACK.

### Specimen Order.

WRITE IN  
BLOCK  
CAPITALS  
PLEASE

**W. JENNER**

25 TENBY RD.  
WEYMOUTH

June 10th 1950.

New Hudson Cycles Ltd.,  
Service Dept.,  
Birmingham '10

AUTO CYCLE ENGINE N° 801/9274  
FRAME N° 2378

Please supply per C.O.D.

1. 32-4730 BOTTOM BRACKET  
SPINDLE  
1. 1-8350 PEDAL COMPLETE  
(RIGHT HAND)

*W. Jenner*



## Auto Cycle (Engine).

Part No.	DESCRIPTION.
21-5720 ...	Engine Fixing Bolt (front).
21-5724(2) ...	Do. (bottom and rear).
21-5104(3) ...	Fixing Bolt Nut.
66-4707(3) ...	Do. Washer (shakeproof).

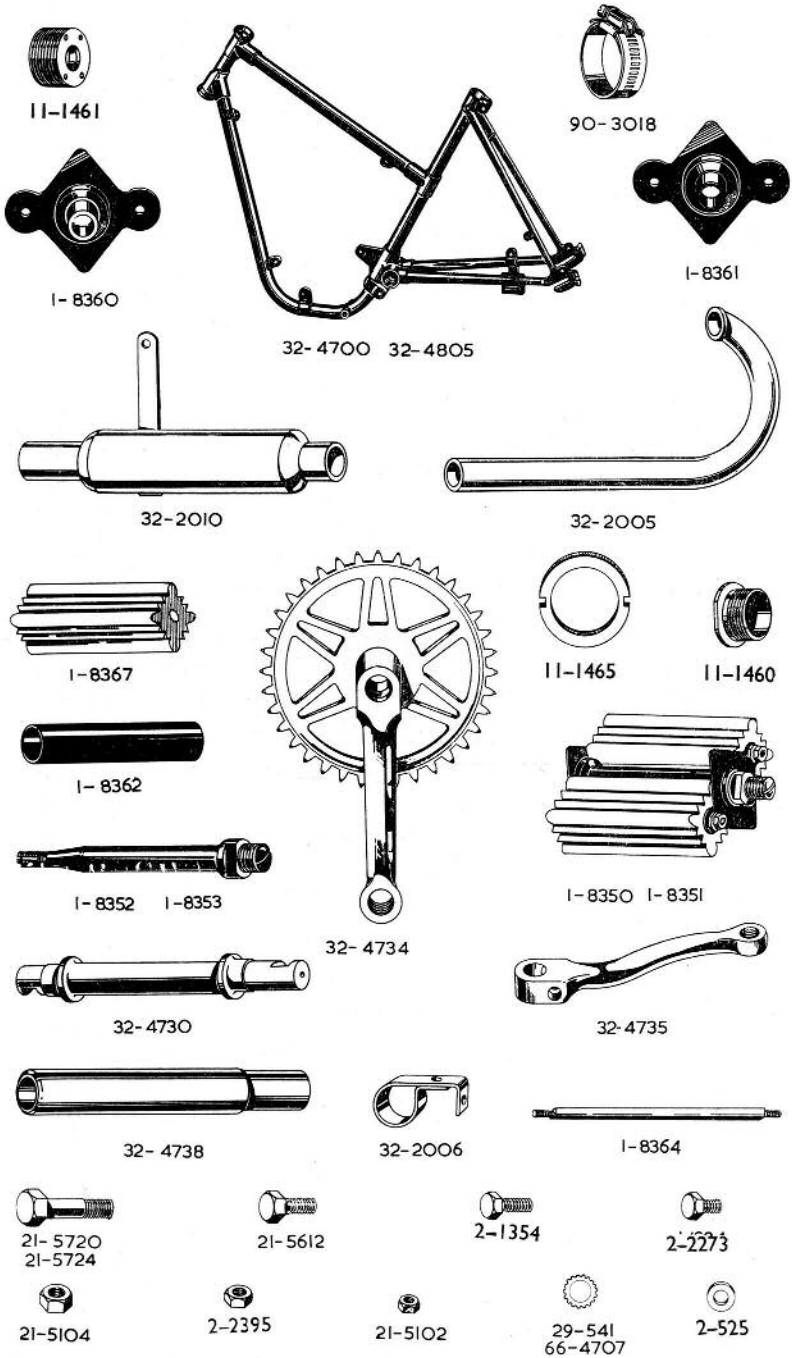
## Exhaust System.

Part No.	DESCRIPTION.
32-2005 ...	Exhaust Pipe.
32-2006 ...	Exhaust Pipe Bracket.
2-2273 ...	Exhaust Bracket and Pipe Fixing Screw.
2-2395 ...	Do. Nut.
29-541(2) ...	Do. Washer (shakeproof).
2-525 ...	Do. Washer (plain).
2-1357 ...	Bracket and Frame Fixing Screw.
32-2010 ...	Silencer complete.
21-5612 ...	Silencer and Brake Anchor Screw.
21-5102 ...	Do. Nut.
2-525 ...	Do. Washer (plain).
29-541 ...	Do. Washer (shakeproof).
90-3018 ...	Silencer Clip (No. 1 Jubilee).

## Frame and Fittings.

Part No.	DESCRIPTION.
32-4700 ...	Frame complete (fitted up to Frame No. ZE2409).
32-4805 ...	Frame complete (fitted on and after Frame No. ZE2410).
32-9080 ...	New Hudson Transfers.
32-4738 ...	Seat Pillar.
32-4730 ...	Bottom Bracket Spindle.
11-1460 ...	Bottom Bracket Cup (right-hand).
11-1461 ...	Do. (left-hand).
11-1465 ...	Do. Lockring (left-hand).
1-4675 (22) ...	Steel Balls. ( $\frac{1}{4}$ " diam.)
32-4734 ...	Chainwheel and Crank combined.
32-4735 ...	Crank only (left-hand).
1-8350 ...	Pedal complete (right-hand).
1-8351 ...	Do. (left-hand).
1-8367(2) ...	Pedal Rubber.
1-8353 ...	Pedal Spindle (left-hand).
1-8352 ...	Do. (right-hand).
1-8362 ...	Pedal Centre.
1-8360 ...	Pedal End Plate (inside).
1-8361 ...	Do. (outside).
1-8364(2) ...	Stretcher Bar.

# Engine, Frame and Fittings.



## Frame and Fittings—*continued.*

Part No.	DESCRIPTION.
1-8357     ...	Split Pin.
1-5286     ...	Pedal Cone.
1-6096     ...	Washer (nibbed).
P20        ...	Cone Locknut.
1-8363     ...	End Dust Cap.
1-8366(4)  ...	Pedal Nut (thin).
No. 3(4)   ...	Pedal Locknut.
1-605(2)   ...	Crank Cotter Pin.
1-601(2)   ...	Do. Nut.
1-642(2)   ...	Do. Washer.

### Central Stand.

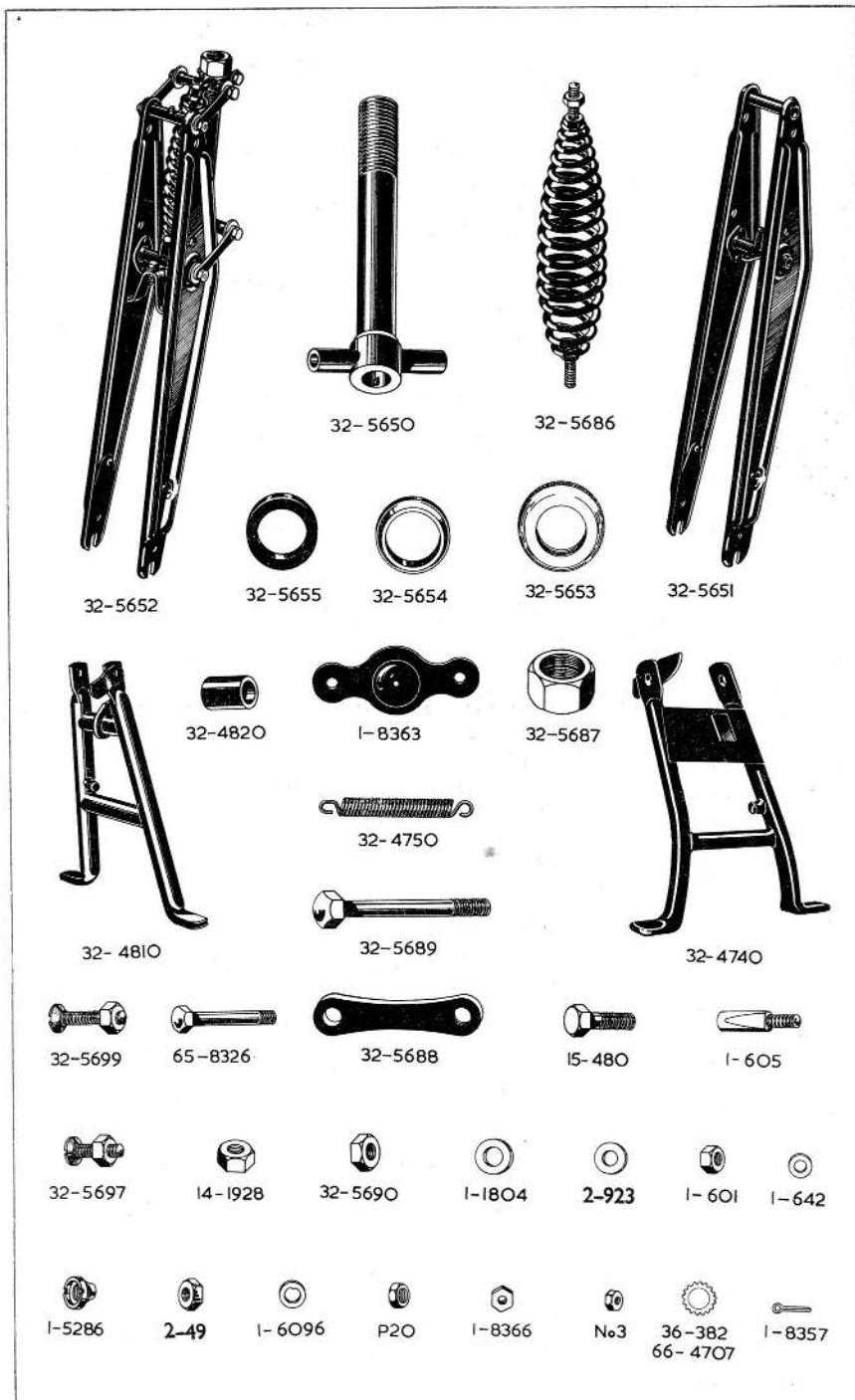
Part No.	DESCRIPTION.
32-4740     ...	Central Stand complete (fitted up to Frame No. ZE2409).
15-480(2)  ...	Central Stand Fixing Bolt.
2-49(2)     ...	Do. Nut.
36-382(2)  ...	Do. Washer (shakeproof).
2-923(2)   ...	Central Stand Fixing Bolt Washer (plain).
32-4750     ...	Central Stand Spring.
32-4810     ...	Central Stand (fitted on and after Frame No. ZE2410).
32-4820     ...	Central Stand Bracket Distance Tube.
65-8326     ...	Central Stand Pivot Bolt.
14-1928     ...	Do. Nut.
1-1804     ...	Do. Washer.
66-4707     ...	Do. Washer (shakeproof).

### Front Fork.

Part No.	DESCRIPTION.
32-5652     ...	Front Fork complete.
32-5651     ...	Girder complete.
32-5650     ...	Fork Column.
32-5653     ...	Screwed Head Races.
32-5654     ...	Fork Crown Race.
32-5655(2)  ...	Frame Cups.
1-4676(44)  ...	Head Race Balls ( $\frac{3}{16}$ " diam.)
32-5686     ...	Front Fork Spring with bolts and nuts.
32-5687     ...	Front Fork Column Locknut.
32-5697     ...	Spring Bolt (short), with nut.
32-5699     ...	Do. (long), with nut.
32-5688(2)  ...	Front Fork Top Link.
32-5689(2)  ...	Do. Bolt.
32-5690(2)  ...	Do. Nut.

**IMPORTANT—PLEASE QUOTE COLOUR REQUIRED  
WHEN ORDERING ENAMELLED PARTS**

# Frame and Fittings, Front Fork



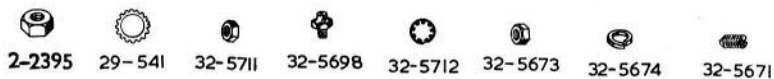
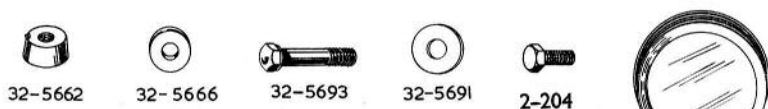
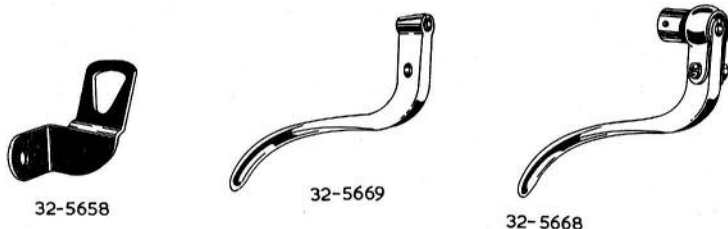
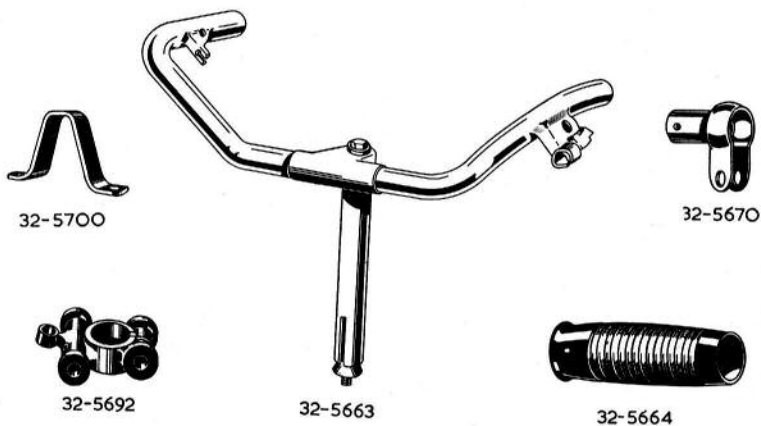
## Front Fork—*continued.*

Part No.	DESCRIPTION.
32-5691 (4) ...	Front Fork Top Link Washer (plain).
32-5694 (2) ...	Front Fork Bottom Link.
32-5695 (2) ...	Do. Bolt.
32-5690 (2) ...	Do. Nut.
32-5691 (4) ...	Do. Washer (plain).
32-5692 ...	Top Clip (stem fitting).
32-5693 ...	Do. Bolt.
32-5696 ...	Do. Nut.
32-5698 (5) ...	Front Fork Link Grease Nipples.
32-5658 ...	Lamp Bracket.
2-204 ...	Do. Screw.
2-2395 ...	Do. Nut.
29-541 (2) ...	Do. Washer (shakeproof).
32-9313 ...	Licence Holder.
32-5700 ...	Front Mudguard Support Bridge
32-5710 ...	Do. Bolt.
32-5711 ...	Do. Nut.
32-5712 ...	Do. Washer (shakeproof).

## Handlebar and Controls.

Part No.	DESCRIPTION.
32-5663 ...	Handlebar with brazed lever lugs, expander bolt cone and washer.
32-5664 (2) ...	Handlebar Grips.
32-5668 ...	Front Brake Inverted Lever complete.
32-5665 ...	Handlebar Expander Bolt complete, with cone and washers.
32-5661 ...	Handlebar Expander Bolt.
32-5662 ...	Do. Cone.
32-5666 ...	Expander Bolt Washer.
32-5670 ...	Front Brake Inverted Lever Body.
32-5671 ...	Do. Grub Screw.
32-5669 ...	Front Brake Inverted Lever only.
32-5672 ...	Do. Screw.
32-5673 ...	Do. Nut.
32-5674 ...	Do. Washer (spring).
32-5668 ...	Rear Brake Inverted Lever complete.
32-5670 ...	Rear Brake Inverted Lever Body.
32-5671 ...	Do. Grub Screw.
32-5669 ...	Rear Brake Inverted Lever only.
32-5672 ...	Do. Screw.
32-5673 ...	Do. Nut.
32-5674 ...	Do. Washer (spring).
32-5676 ...	Clutch Lever complete with trigger.
32-5672 ...	Do. Screw.
32-5673 ...	Do. Nut.
32-5674 ...	Do. Washer (spring).

# Front Fork, Handlebar and Controls.



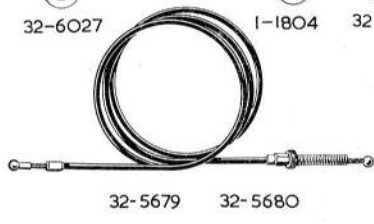
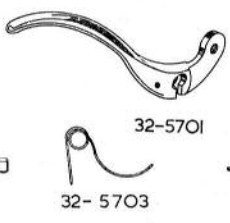
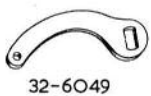
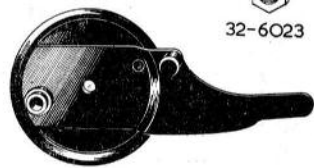
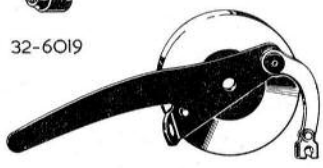
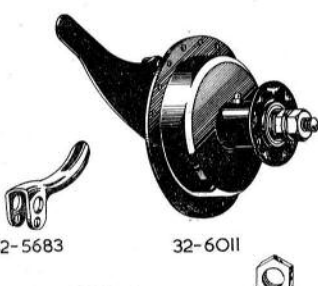
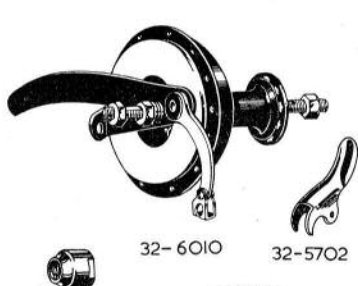
## Handlebar and Controls—*continued.*

Part No.	DESCRIPTION.
32-5701 ...	Clutch Lever only.
32-5702 ...	Clutch Trigger Lever only.
32-5703 ...	Clutch Trigger Spring.
32-5704 ...	Clutch Trigger Rivet.
32-5677 ...	Exhaust Lifter Lever. * 1 3/8
32-5678 ...	Do. Screw.
32-5675 ...	Do. Nut.
32-5684 ...	Exhaust Lifter Trunion.
32-5685 ...	Do. Split Pin.
32-5683 ...	Exhaust Lever Grip.
32-5679 ...	Front Brake Cable and Cover complete.
32-5680 ...	Rear Brake Cable and Cover complete.
32-5681 ...	Clutch Cable and Cover complete.
32-5682 ...	Exhaust Cable and Cover complete.

## Front Hub and Wheel Fittings.

Part No.	DESCRIPTION.
32-6010 ...	Front Hub complete, with cadmium cover plates (British Hub).
32-6012 ...	Front Hub Shell and Drum.
32-6014 ...	Spindle complete.
32-6016 ...	Spindle only.
1-4675(18) ...	Steel Balls ( $\frac{1}{4}$ " dia.)
32-6017 ...	Adjusting Cone.
32-6018 ...	Fixed Cone.
19-4276(2) ...	Hub Cup
32-6023 ...	Cone Locknuts.
32-6050 ...	Spindle Nuts.
32-6029 ...	Hub End Cap.
32-6030 ...	Washer (felt).
32-6031 ...	Felt Retaining Washer (steel).
32-6044 ...	Brake Plate complete (less shoes).
32-6034(2) ...	Brake Shoes complete with linings.
32-6038(2) ...	Brake Shoe Springs.
32-6036(2) ...	Brake Linings with rivets.
1-1804(2) ...	Front Hub Washer (plain).
32-6048 ...	Grease Nipple.
32-6011 ...	Front Hub complete ( $1\frac{11}{16}$ " diam. hub barrel) (Albion).
32-6047 ...	Brake Side Plate with bush, fulcrum and anchor plate.
32-6013 ...	Brake Drum and Spoke Flange assembled.
32-6015 ...	Spindle ( $\frac{3}{8}$ ").
1-4675(20) ...	Steel Balls ( $\frac{1}{4}$ " dia.)
32-6019(2) ...	Cone.
32-6692(2) ...	Hub Cup
32-6035(2) ...	Brake Shoes with linings.
32-6037(2) ...	Brake Linings with rivets.
32-6039(2) ...	Brake Shoe Springs.
32-6045 ...	Operating Cam with nut and washer.
32-6049 ...	Operating Lever.
32-6028(2) ...	Dust Washers.
32-6024 ...	Spindle Nuts.
32-6027 ...	Spindle Washers.

# Controls, Front Hub and Wheel Fittings.





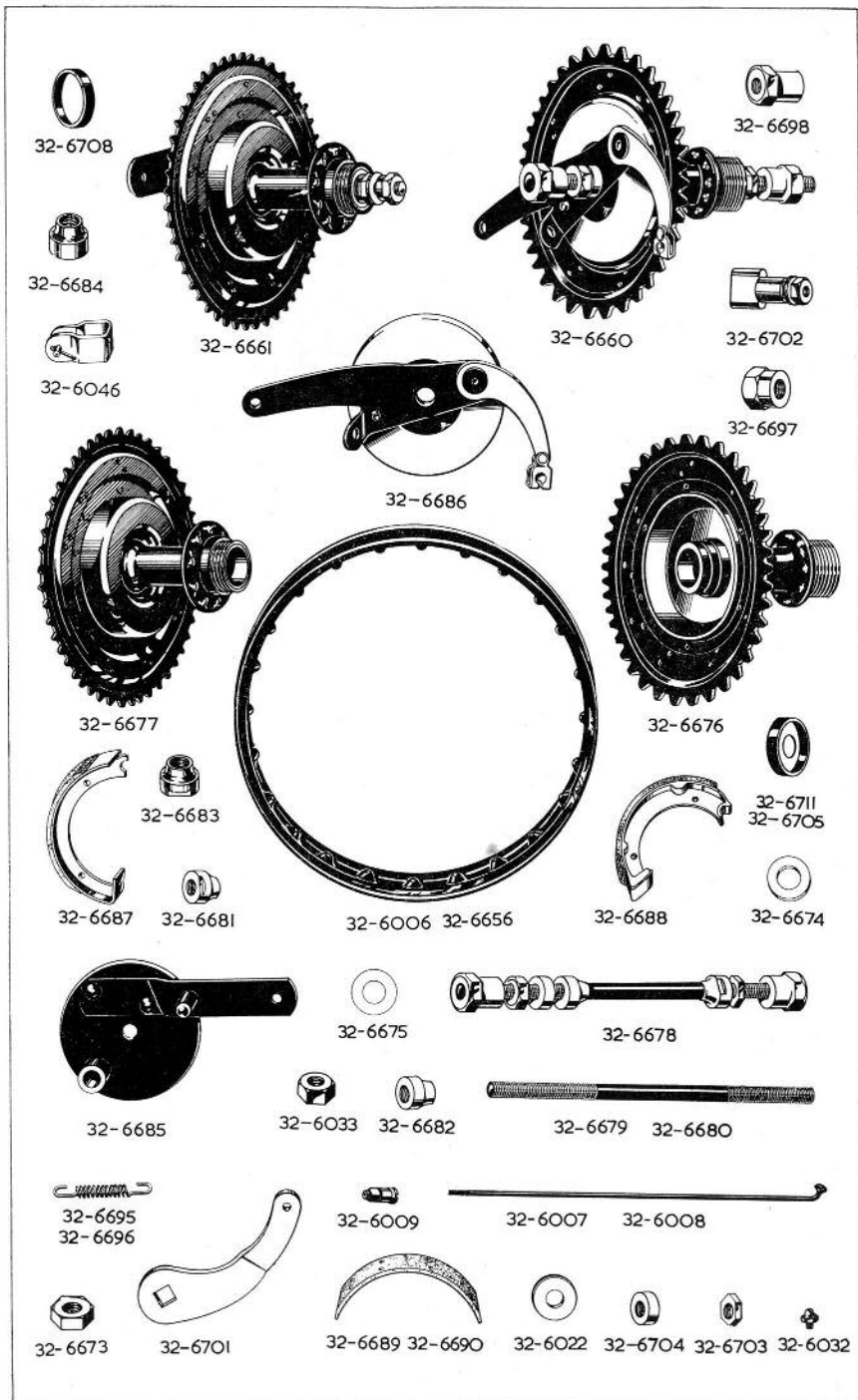
## Front Hub and Wheel Fittings—continued.

Part No.	...	DESCRIPTION.
32-6022	...	Spindle Packing Collar.
32-6032	...	Grease Nipple.
32-6033	...	Packing Nut.
32-6046	...	Cable Clip, Cotter and Pin.
32-6005	...	Front Wheel complete.
32-6006	...	Front Wheel Rim.
32-6007	...	Front Wheel Spokes (long).
32-6008	...	Front Wheel Spokes (short).
32-6009	...	Spoke Nipples.

## Rear Hub and Wheel Fittings.

Part No.	...	DESCRIPTION.
32-6660	...	Rear Hub complete with cadmium cover plate (British Hub).
32-6676	...	Rear Hub Shell and Drum (complete with chainwheel).
32-6678	...	Rear Hub Spindle complete.
32-6680	...	Rear Hub Spindle only.
1-4675(20)	...	Steel Balls ( $\frac{1}{4}$ " dia.)
32-6681	...	Adjusting Cone.
32-6682	...	Fixed Cone.
19-4289(2)	...	Hub Cup
32-6703	...	Cone Locknut.
32-6704	...	Cone Lockwasher.
32-6698	...	Spindle Nut.
32-6711	...	Hub Dust Cover
32-6708	...	Rear Hub Distance Ring.
32-6686	...	Brake Plate complete (less shoes).
32-6687	...	Brake Shoes complete with linings.
32-6689	...	Brake Linings with rivets.
32-6695(2)	...	Brake Shoe Springs.
32-6661	...	Rear Hub complete ( $1\frac{1}{8}$ " diam. hub barrel) (Albion).
32-6677	...	Brake Drum and Spoke Flange complete with chainwheel.
32-6685	...	Brake Side Plate with cable stop, bush, fulcrum pin and anchor plate.
32-6683(2)	...	Cone ( $\frac{7}{16}$ ").
32-6691	...	Hub Cup (drive side)
32-6692	...	Hub Cup (free wheel side)
1-4675(20)	...	Steel Balls ( $\frac{1}{4}$ " diam.).
32-6673	...	Cone Locknut.
32-6679	...	Spindle ( $\frac{7}{16}$ ").
32-6697(2)	...	Spindle Nuts (special).
32-6674(2)	...	Spindle Washers.
32-6675(2)	...	Spacing Washers (thin).
32-6705	...	Dust Washer.
32-6032	...	Grease Nipple.
32-6688(2)	...	Brake Shoe with linings.
32-6690	...	Brake Linings with rivets
32-6696(2)	...	Brake Shoe Spring.
32-6702	...	Operating Cam, Nut and Washer.
32-6701	...	Operating Lever.

# Front and Rear Hub and Wheel Fittings.



## Rear Hub and Wheel Fittings—*continued.*

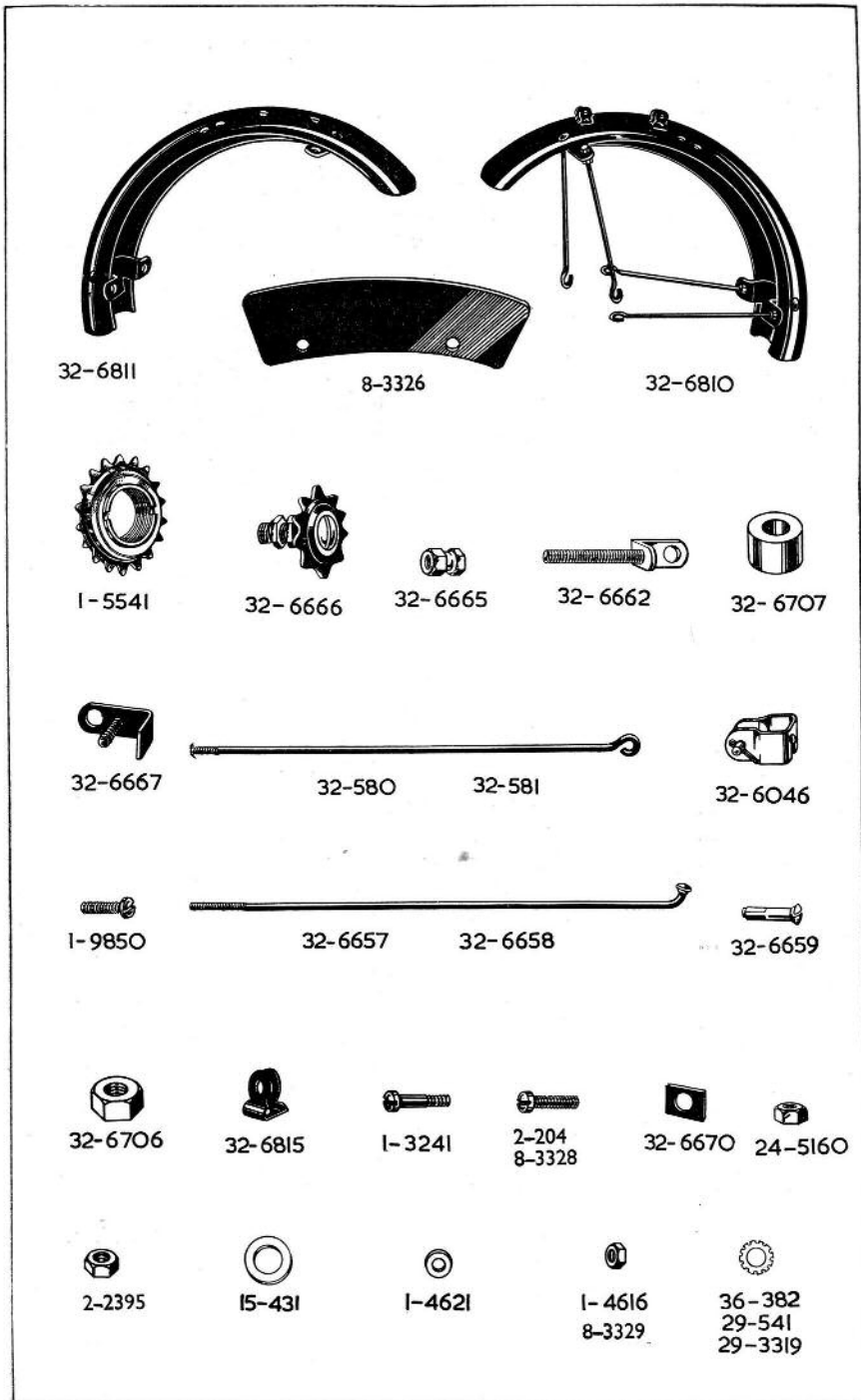
Part No.	DESCRIPTION.
32-6706 ...	Packing Nut.
32-6707 ...	Packing Collar.
32-6046 ...	Cable Clip, Cotter and Pin.
32-6655 ...	Rear Wheel complete.
32-6656 ...	Rear Wheel Rim.
32-6657 ...	Rear Wheel Spokes (long).
32-6658 ...	Rear Wheel Spoke (short).
32-6659 ...	Rear Wheel Spoke Nipple.
32-6662 ...	Rear Chain Adjusting Lug complete.
32-6665 ...	Do. Nut.
32-6666 ...	Jockey Sprocket complete.
32-6667 ...	Jockey Sprocket Arm complete.
32-6670 ...	Jockey Sprocket Arm Locking Plate.
24-5160 ...	Jockey Sprocket Arm Screw Nut.
36-382 ...	Do. Washer (shakeproof).
1-5541 ...	Free wheel Sprocket (No. 1 central) ( $18T \times \frac{1}{2}'' \times \frac{1}{8}''$ ).
15-431 ...	Rear Hub Packing Washer (use with Albion hubs only).
15-431(3) ...	Do. (for use with British hubs only).

## Front Mudguard.

Part No.	DESCRIPTION.
32-6810 ...	Front Mudguard complete with number plate eyes and stays.
32-6811 ...	Front Mudguard only.
2-204(2) ...	Mudguard Fixing Screws.
2-2395(2) ...	Do. Nut.
29-541(2) ...	Do. Washer (shakeproof).
1-3241(2) ...	Mudguard Stay Fixing Screw.
1-4616(2) ...	Do. Nut.
1-4621(2) ...	Do. Washer (plain).
29-3319(2) ...	Do. Washer (shakeproof).
8-3326 ...	Front Number Plate.
32-6815(2) ...	Front Number Plate Eyes. (Superceded by 8-3327. See 1956 Supplement for illustration).
8-3328(2) ...	Do. Screws.
8-3329(4) ...	Do. Nuts.
29-3319(2) ...	Do. Washer (shakeproof).
32-580(2) ...	Mudguard Stay (top).
32-581(2) ...	Do. (bottom).

**IMPORTANT.—PLEASE QUOTE COLOUR REQUIRED  
WHEN ORDERING ENAMELLED PARTS.**

# Rear Hub and Wheel Fittings, Front Mudguard.



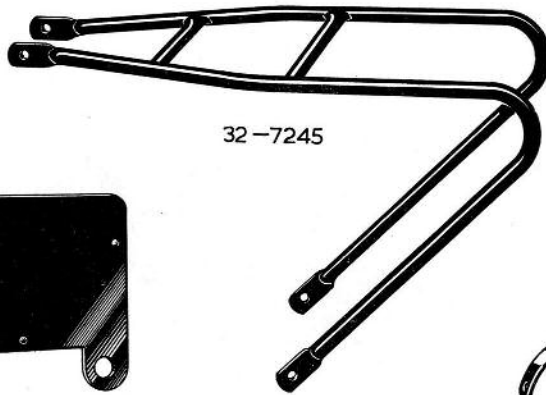
## Rear Mudguard and Fittings.

Part No.	DESCRIPTION.
32-7230 ...	Rear Mudguard complete.
1-3241 ...	Bridge and Mudguard Fixing Screw.
1-4616 ...	Do. Nut.
1-4621 ...	Do. Washer (plain).
29-3319 ...	Do. Washer (shakeproof).
32-7233 ...	Rear Number Plate.
1-9850(2) ...	Do. Screw.
1-4616(2) ...	Do. Nut.
1-4621(2) ...	Do. Washer (plain).
29-3319(2) ...	Do. Washer (shakeproof).
32-7234 ...	Rear Number Plate Anchor Lug.
32-4749 ...	Stand Spring Anchor Lug.
2-204 ...	Rear Mudguard Fixing Bolt (front).
29-541 ...	Do. Washer (shakeproof).

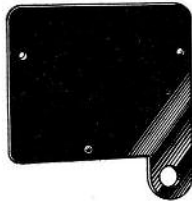
## Carrier.

Part No.	DESCRIPTION.
32-7245 ...	Carrier complete.
32-7246 ...	Carrier and Mudguard Clip.
1-9850(2) ...	Do. Screws.
1-4616(2) ...	Do. Nuts.
29-3319(2) ...	Do. Washer (shakeproof).
1-4621 ...	Do. Washer (plain).
32-7247(2) ...	Carrier and Number Plate Clips.
2-204(2) ...	Do. Screw.
1-6032(2) ...	Do. Nut.
29-541(2) ...	Do. Washer (shakeproof).
1-8451 ...	Seat Bolt.
1-1796 ...	Do. Nut.
1-1804 ...	Do. Washer (plain).
2-253(2) ...	Carrier Fixing Bolt (bottom).
2-49(2) ...	Do. Nut (British hub).
2-49 ...	Do. Nut (Albion hub).
24-6040 ...	Carrier Fixing Bolt Nut (bottom) (Albion hub).
2-923(2) ...	Carrier Fixing Bolt Washer (plain).
36-382(2) ...	Do. Washer (shakeproof).

# Rear Mudguard and Fittings, Carrier.



32-7245



32-7233



32-7234



1-8451



32-7246



2-253



32-7247



32-7230



1-9850



1-1804



32-4749



2-204



1-3241



2-49



1-1796



2-923



24-6040



1-4621



1-4616



1-6032



2-2395



36-382  
29-541  
29-3319

## Petrol Tank and Fittings.

Part No.	DESCRIPTION.
32-8605 ...	Petrol Tank complete.
24-225(4) ...	Petrol Tank Fixing Bolts.
27-8560(4) ...	Do. Washer (plain).
32-8606(4) ...	Petrol Tank Mounting Rubber.
32-8607 ...	Petrol Filler Cap with retaining chain.
32-8608 ...	Petrol Tap.
2-930 ...	Petrol Tap Washer (fibre).
32-8609 ...	Petrol Pipe complete.
32-8612 ...	Strangler Rod.
1-8383 ...	Strangler Rod Coupling Bolt.
1-8406 ...	Do. Nut.
1-8405 ...	Do. Washer (plain).
29-541 ...	Do. Washer (shakeproof).
32-9082 ...	Petrol Tank Transfer (offside).
32-9083 ...	Do. (nearside).

### Chainguard (nearside).

Part No.	DESCRIPTION.
32-8288 ...	Chainguard complete (nearside).
1-9850 ...	Fixing Screw (rear bracket).
1-4616 ...	Do. Nut.
1-4621 ...	Do. Washer (plain).
29-3319 ...	Do. Washer (shakeproof).
2-220 ...	Fixing Screw (front bracket).
29-541 ...	Do. Washer (shakeproof).

### Chainguard (offside).

Part No.	DESCRIPTION.
32-8285 ...	Chainguard complete (offside).
32-8286 ...	Chainguard Bracket (top).
32-8287 ...	Do. (bottom).
1-9850(3) ...	Bracket Fixing Screw.
1-4616 ...	Do. Nut.
1-4621 ...	Do. Washer (plain).
29-3319(3) ...	Do. Washer (shakeproof).
2-204(3) ...	Chainguard Fixing Screws.
29-541(3) ...	Do. Washer (shakeproof).

**IMPORTANT.—PLEASE QUOTE COLOUR REQUIRED  
WHEN ORDERING ENAMELLED PARTS.**

# Petrol Tank and Fittings, Chainguards.



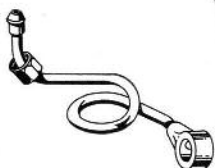
32-8287



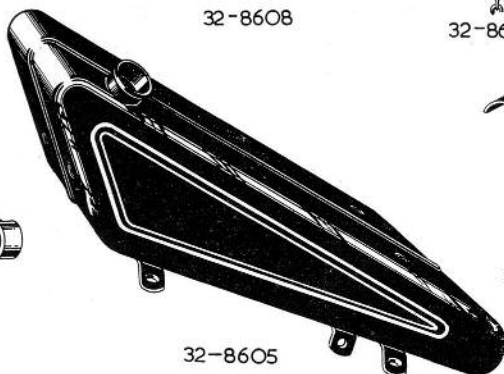
32-8608



32-8607



32-8609



32-8605



32-8286



32-8612



32-8285



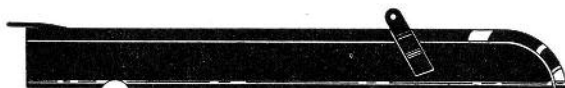
32-8606



2-220



1-8383



32-8288



1-9850



2-204



24-225



2-930



1-4621



27-8560



1-4616



1-8406



1-8405



29-541  
29-3319



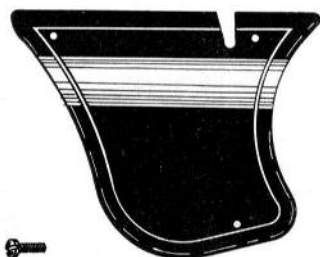
## Engine Shields.

Part No.	DESCRIPTION.
32-7810 ...	Engine Shield (offside).
32-7811 ...	Engine Shield (nearside).
32-7812(2)	Fixing Bracket.
1-6019(6) ...	Legshield Fixing Screw.
1-4616(6) ...	Do. Nut.
1-4621(6) ...	Do. Washer (plain).
29-3319(6) ...	Do. Washer (shakeproof).
15-7383(6) ...	Mounting Rubbers.

## Tools and Sundries.

Part No.	DESCRIPTION.
32-9308 ...	Tool Bag.
32-9309 ...	Spanner ( $\frac{3}{16}$ " $\times$ $\frac{1}{4}$ ").
32-9310 ...	Spanner $\#$ ( $\frac{5}{16}$ " $\times$ $\frac{3}{8}$ ").
32-9312 ...	Breaker Point Spanner.
1-4726 ...	Oil Gun.
90-9016 ...	Exhaust Pipe Union Nut Spanner.
32-9314 ...	Bulb Horn.
1-5161 ...	Inflator.
66-9049(5) ...	Cable Clips.
32-9305 ...	Saddle.
32-9316 ...	Main Driving Chain.
1-5435/92 ...	Pedal Driving Chain.

# Engine Shields, Tools and Sundries.



1-6019

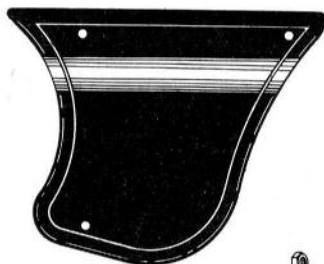
32-7811



1-4621



29-3319



32-7810

1-4616



32-9316



15-7383



1-5435/92



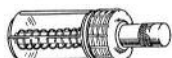
90-9016



32-9308



66-9049



1-4726



32-9309



32-9310



32-7812



1-5161



32-9312

## Numerical Index.

Part No.	Price.		DESCRIPTION.	Page	
	£	s. d.		illustrated.	described.
1-601	...	<b>2</b>	Crank cotter nut ... ..	9	8
1-605	...	<b>4/-</b> doz.	Crank cotter pin ... ..	9	8
1-642	...	<b>6d.</b> doz.	Crank cotter washer ... ..	9	8
1-1796	...	<b>3</b>	Seat bolt nut ... ..	19	18
1-1804	...	<b>2</b>	Front hub washer (plain) ... ..	13	12
1-1804	...	<b>2</b>	Seat bolt washer (plain) ... ..	19	18
1-1804	...	<b>2</b>	Central stand pivot bolt nut washer	9	8
1-3241	...	<b>2/-</b> doz.	Mudguard stay fixing screw ... ..	17	16
1-3241	...	<b>2/-</b> doz.	Bridge and mudguard fixing screw	19	18
1-4616	...	<b>1</b>	Nut (standard $\frac{3}{16}$ " )... ..		<i>various</i>
1-4621	...	<b>6d.</b> doz.	Washer (plain) ... ..		<i>various</i>
1-4726	...	<b>3 11</b>	Oil gun ... ..	23	22
1-5161	...	<b>4 6</b>	Inflator ... ..	23	22
1-5286	...	<b>4</b>	Pedal cone ... ..	9	8
1-5435/92...	...	<b>8 0</b>	Pedal driving chain ... ..	23	22
1-5541	...	<b>6 5</b>	Free wheel sprocket (No. 1 central) ( $18T \times \frac{1}{2}'' \times \frac{1}{8}''$ ) ... ..	17	16
1-6019	...	<b>1</b>	Legshield fixing screw ... ..	23	22
1-6032	...	<b>2/-</b> doz.	Carrier and number plate clip nut	19	18
1-6096	...	<b>6d.</b> doz.	Washer (nibbed) ... ..	9	8
1-8350	...	<b>9 0</b>	Pedal complete (right-hand) ... ..	7	6
1-8351	...	<b>9 0</b>	Pedal complete (left-hand) ... ..	7	6
1-8352	...	<b>1 9</b>	Pedal spindle (right-hand) ... ..	7	6
1-8353	...	<b>1 9</b>	Pedal spindle (left-hand) ... ..	7	6
1-8357	...	<b>2d.</b> doz.	Split pin ... ..	9	8
1-8360	...	<b>3/6</b> doz.	Pedal end plate (inside) ... ..	7	6
1-8361	...	<b>3/6</b> doz.	Pedal end plate (outside) ... ..	7	6
1-8362	...	<b>9</b>	Pedal centre ... ..	7	6
1-8363	...	<b>3/6</b> doz.	End dust cap ... ..	9	8
1-8364	...	<b>6</b>	Stretcher bar ... ..	7	6
1-8366	...	<b>6d.</b> doz.	Pedal nut (thin) ... ..	9	8
1-8367	...	<b>1 3</b>	Pedal rubber ... ..	7	6
1-8383	...	<b>3</b>	Strangler rod coupling bolt ... ..	21	20
1-8405	...	<b>1/-</b> doz.	Strangler rod coupling bolt washer (plain) ... ..	21	20
1-8406	...	<b>1</b>	Strangler rod coupling bolt nut	21	20
1-8451	...	<b>4</b>	Seat bolt ... ..	19	18
1-9850	...	<b>1</b>	Carrier and mudguard clip screws	19	18
1-9850	...	<b>1</b>	Fixing screw (rear bracket) ... ..	21	20
1-9850	...	<b>1</b>	Bracket fixing screw ... ..	21	20
1-9850	...	<b>1</b>	Rear number plate screw... ..	19	18
2-49	...	<b>4</b>	Central stand fixing bolt nut ... ..	9	8
2-49	...	<b>4</b>	Carrier fixing nut (British hub) ... ..	19	18
2-49	...	<b>4</b>	Carrier fixing nut (Albion hub) ... ..	19	18
2-204	...	<b>3</b>	Lamp bracket screw ... ..	11	10
2-204	...	<b>3</b>	Mudguard fixing screws ... ..	17-19	16-18
2-204	...	<b>3</b>	Carrier and number plate clip screw ... ..	19	18
2-204	...	<b>3</b>	Chainguard fixing screws ... ..	21	20

## Numerical Index—continued.

Part No.	Price.		DESCRIPTION.	Page	
	£	s. d.		illustrated.	described.
2-220	...	<b>3</b>	Fixing screw (front bracket) ...	21	20
2-253	...	<b>3/6</b> doz.	Carrier fixing bolt (bottom) ...	19	18
2-525	...	<b>6d.</b> doz.	Exhaust bracket and pipe fixing screw washer (plain) ...	7	6
2-525	...	<b>6d.</b> doz.	Silencer and brake anchor screw washer (plain) ...	7	6
2-930	...	<b>2</b>	Petrol tap washer (fibre) ...	21	20
2-1354	...	<b>4</b>	Bracket and frame fixing screw...	7	6
2-2273	...	<b>3</b>	Exhaust bracket and pipe fixing screw ...	7	6
2-2395	...	<b>2</b>	Exhaust bracket and pipe fixing nut ...	7	6
2-2395	...	<b>2</b>	Lamp bracket nut ...	11	10
2-2395	...	<b>2</b>	Mudguard fixing screw nut ...	17	16
2-2809	...	<b>6d.</b> doz.	Central stand fixing bolt washer (plain) ...	9	8
2-2809	...	<b>6d.</b> doz.	Carrier fixing bolt washer (plain) ...	19	18
8-3326	...	<b>2 0</b>	Front number plate ...	17	16
8-3328	...	<b>1</b>	Number plate nut ...	17	16
8-3329	...	<b>1</b>	Fixing eye nut ...	17	16
14-1928	...	<b>3</b>	Central stand pivot bolt nut ...	9	8
11-1460	...	<b>1 0</b>	Bottom bracket cup (right-hand) ...	7	6
11-1461	...	<b>1 2</b>	Bottom bracket cup (left-hand)...	7	6
11-1465	...	<b>8</b>	Bottom bracket lock ring (left-hand) ...	7	6
15-431	...	<b>2</b>	Rear hub packing washer (use with Albion hubs only) ...	17	16
15-431(3)...	...	<b>2</b>	Rear hub packing washer (use with British hubs only) ...	17	16
15-480	...	<b>6</b>	Central stand fixing bolt ...	9	8
15-7383	...	<b>1</b>	Mounting rubbers ...	23	22
19-4276	...	<b>8</b>	Hub Cup ...	... <i>not illust'd</i> ...	12
19-4289	...	<b>1 3</b>	Hub Cup ...	... <i>not illust'd</i> ...	12
21-5102	...	<b>2</b>	Silencer and brake anchor screw nut ...	7	6
21-5104	...	<b>4</b>	Fixing bolt nut ...	7	6
21-5612	...	<b>4</b>	Silencer and brake anchor screw	7	6
21-5720	...	<b>8</b>	Engine fixing bolt (front) ...	7	6
21-5724	...	<b>8</b>	Engine fixing bolt (bottom and rear) ...	7	6
24-225	...	<b>4</b>	Petrol tank fixing bolts ...	21	20
24-5160	...	<b>4</b>	Jockey sprocket arm screw nut...	17	16
24-6040	...	<b>4</b>	Carrier fixing bolt nut (bottom) (Albion hub) ...	19	18
27-8560	...	<b>1</b>	Petrol tank fixing bolt washer (plain)	21	20
29-541	...	<b>6d.</b> doz.	Washer (shakeproof) ...	...	<i>various</i>
29-3319	...	<b>6d.</b> doz.	Washer (shakeproof) ...	...	<i>various</i>
32-580	...	<b>6</b>	Mudguard stay (top) ...	17	16
32-581	...	<b>6</b>	Mudguard stay (bottom) ...	17	16

## Numerical Index—continued.

Part No.	Price.		DESCRIPTION.	Page	
	£	s. d.		illustrated.	described.
32-2005 ...	16	0	Exhaust pipe ... ..	7	6
32-2006 ...	1	6	Exhaust pipe bracket ... ..	7	6
32-2010 ...	1	2 6	Silencer complete ... ..	7	6
32-4700 ...	7	0 0	Frame complete ... ..	7	6
32-4730 ...	4	6	Bottom bracket spindle ... ..	7	6
32-4734 ...	11	0	Chainwheel and crank combined...	7	6
32-4735 ...	6	3	Plain crank only (left-hand) ...	7	6
32-4738 ...	3	0	Seat pillar ... ..	7	6
32-4740 ...	14	0	Central stand complete ... ..	9	8
32-4749 ...	4		Stand spring anchor lug ... ..	19	18
32-4750 ...	9		Central stand spring ... ..	9	8
32-4805 ...	7	0 0	Frame complete ... ..	7	6
32-4810 ...	10	6	Central stand complete ... ..	9	8
32-4820 ...	6		Central stand bracket distance tube	9	8
32-5650 ...	10	0	Fork column ... ..	9	8
32-5651 ...	1	10 0	Girder complete ... ..	9	8
32-5652 ...	3	0 0	Front fork complete ... ..	9	8
32-5653 ...	1	0	Screwed head races ... ..	9	8
32-5654 ...	8		Fork crown race ... ..	9	8
32-5655 ...	8		Frame cups ... ..	9	8
32-5658 ...	1	3	Lamp bracket ... ..	11	10
32-5661 ...	7		Handlebar expander bolt ... ..	11	10
32-5662 ...	4		Handlebar expander cone ... ..	11	10
32-5663 ...	1	2 6	Handlebar with brazed lever lugs, expander bolt, cone and washer	11	10
32-5664 ...	1/6	pair	Handlebar grips ... ..	11	10
32-5665 ...	1	0	Handlebar expander bolt complete with cone and washer ... ..	<i>not illust'd</i>	10
32-5666 ...	1		Handlebar expander bolt washer .	11	10
32-5668 ...	6	0	Front brake inverted lever complete	11	10
32-5668 ...	6	0	Rear brake inverted lever complete	11	10
32-5669 ...	3	6	Front brake inverted lever only...	11	10
32-5669 ...	3	6	Rear brake inverted lever only ...	11	10
32-5670 ...	1	9	Front brake inverted lever body .	11	10
32-5670 ...	1	9	Rear brake inverted lever body...	11	10
32-5671 ...	1		Front brake inverted lever body grub screw ... ..	11	10
32-5671 ...	1		Rear brake inverted lever body grub screw ... ..	11	10
32-5672 ...	1		Front brake inverted lever screw	11	10
32-5672 ...	1		Rear brake inverted lever screw .	11	10
32-5672 ...	1		Clutch lever screw ... ..	11	10
32-5673 ...	1		Front brake inverted lever nut ...	11	10
32-5673 ...	1		Rear brake inverted lever nut ...	11	10
32-5673 ...	1		Clutch lever nut ... ..	11	10
32-5674 ...	1		Front brake inverted lever washer (spring) ... ..	11	10
32-5674 ...	1		Rear brake inverted lever washer (spring) ... ..	11	10

**Numerical Index—continued.**

Part No.	Price.		DESCRIPTION.	Page		Page
	£	s. d.		illustrated.	described.	
32-5674 ...	<b>1</b>		Clutch lever washer (spring) ...	11	...	10
32-5675 ...	<b>1</b>		Exhaust lifter lever nut ...	13	...	12
32-5676 ...	<b>4 4</b>		Clutch lever complete with trigger ...	<i>not illust'd</i>	...	10
32-5677 ...	<b>1 3</b>		Exhaust lifter lever complete ...	<i>not illust'd</i>	...	12
32-5678 ...	<b>1</b>		Exhaust lifter lever screw ...	13	...	12
32-5679 ...	<b>3 6</b>		Front brake cable and cover complete ...	13	...	12
32-5680 ...	<b>3 7</b>		Rear brake cable and cover complete ...	13	...	12
32-5681 ...	<b>2 11</b>		Clutch cable and cover complete ...	13	...	12
32-5682 ...	<b>2 6</b>		Exhaust cable and cover complete ...	13	...	12
32-5683 ...		<b>8</b>	Exhaust lever grip ...	13	...	12
32-5684 ...	<b>3/6</b>	doz.	Exhaust lifter trunnion ...	13	...	12
32-5685 ...	<b>1</b>		Exhaust lifter split pin ...	13	...	12
32-5686 ...	<b>7 6</b>		Front fork spring with bolts and nuts ...	9	...	8
32-5687 ...	<b>2 0</b>		Front fork column locknut ...	9	...	8
32-5688 ...	<b>2 0</b>		Front fork top link ...	9	...	8
32-5689 ...	<b>1 0</b>		Front fork top link bolt ...	9	...	8
32-5690 ...	<b>3</b>		Front fork bottom link nut ...	11	...	10
32-5690 ...	<b>3</b>		Front fork top link nut ...	9	...	8
32-5691 ...	<b>1</b>		Front fork bottom link washer ...	11	...	10
32-5691 ...	<b>1</b>		Front fork top link washer (plain) ...	11	...	10
32-5692 ...	<b>7 0</b>		Top clip (stem fitting) ...	11	...	10
32-5693 ...	<b>1 0</b>		Top clip stem bolt ...	11	...	10
32-5694 ...	<b>2 0</b>		Front fork bottom link ...	11	...	10
32-5695 ...	<b>1 0</b>		Front fork bottom link bolt ...	11	...	10
32-5696 ...	<b>3</b>		Top clip nut ...	11	...	10
32-5697 ...	<b>6</b>		Spring bolt with nut (short) ...	9	...	8
32-5698 ...	<b>5</b>		Front fork top link grease nipple ...	11	...	10
32-5699 ...	<b>6</b>		Spring bolt with nut (long) ...	9	...	8
32-5700 ...	<b>4</b>		Front mudguard bridge ...	11	...	10
32-5701 ...	<b>3 11</b>		Clutch lever only ...	13	...	12
32-5702 ...	<b>3</b>		Clutch trigger lever only ...	13	...	12
32-5703 ...	<b>1</b>		Clutch trigger spring ...	13	...	12
32-5704 ...	<b>1</b>		Clutch trigger rivet ...	<i>not illust'd</i>	...	12
32-5710 ...	<b>4</b>		Front mudguard support bridge bolt ...	11	...	10
32-5711 ...	<b>2</b>		Front mudguard support bridge bolt nut ...	11	...	10
32-5712 ...	<b>2</b>		Front mudguard support bridge bolt washer (shakeproof) ...	11	...	10
32-6005 ...	<b>2 15 0</b>		Front wheel complete ...	<i>not illust'd</i>	...	14
32-6006 ...	<b>15 6</b>		Front wheel rim ...	15	...	14
32-6007 ...	<b>12/-</b>	grs.	Front wheel spokes (long) ...	15	...	14
32-6008 ...	<b>12/-</b>	grs.	Front wheel spokes (short) ...	15	...	14
32-6009 ...	<b>7/6</b>	grs.	Spoke nipples ...	15	...	14
32-6010 ...	<b>1 12 6</b>		Front hub complete with cadmium cover plates (British hub) ...	13	...	12

## Numerical Index—continued.

Part No.	Price.			DESCRIPTION.	Page	
	£	s.	d.		illustrated	described.
32-6011 ...	1	12	6	Front hub complete (1 $\frac{11}{32}$ " diam. hub barrel) (Albion) ...	13	12
32-6012 ...	16	0		Front hub shell and drum ...	13	12
32-6013 ...	15	0		Brake drum and spoke flange assembled ...	13	12
32-6014 ...	4	6		Spindle complete ...	13	12
32-6015 ...	2	3		Spindle ( $\frac{3}{8}$ " ...)	13	12
32-6016 ...	1	9		Spindle only ...	13	12
32-6017 ...		9		Adjusting cone ...	13	12
32-6018 ...		9		Fixed cone ...	13	12
32-6019 ...	1	6		Cone ...	13	12
32-6022 ...		9		Spindle packing collar ...	15	14
32-6023 ...	4/-		doz.	Cone locknuts ...	13	12
32-6024 ...		9		Spindle nuts ...	13	12
32-6027 ...		1		Spindle washers ...	13	12
32-6028 ...	4/6		doz.	Dust washers ...	13	12
32-6029 ...	4/-		doz.	Hub end cap ...	13	12
32-6030 ...	4/-		doz.	Washer (felt) ...	13	12
32-6031 ...	2/6		doz.	Felt retaining washer (steel) ...	13	12
32-6032 ...		9		Grease nipple ...	15	14
32-6033 ...		6		Packing nut... ...	15	14
32-6034 ...	5	0		Brake shoes, complete with linings	13	12
32-6035 ...	4	6		Brake shoes with linings ...	13	12
32-6036 ...	3	0		Brake linings with rivets ...	13	12
32-6037 ...	1	1		Brake linings with rivets ...	13	12
32-6038 ...	5/6		doz.	Brake shoe springs ...	13	12
32-6039 ...		7		Brake shoe springs ...	13	12
32-6044 ...	12	0		Brake plate complete (less shoes) <i>not illust'd</i> ...		12
32-6045 ...	2	3		Operating cam with nut and washer	13	12
32-6046 ...		11		Cable clip, cotter and pin ...	15-17	14-16
32-6047 ...	8	3		Brake side plate with bush, fulcrum and anchor plate ...	13	12
32-6048 ...		3		Grease nipple ... <i>not illust'd</i> ...		12
32-6049 ...	1	6		Operating lever ...	13	12
32-6050 ...	4/9		doz.	Spindle nuts ...	13	12
32-6655 ...	4	5	0	Rear wheel complete ... <i>not illust'd</i> ...		16
32-6656 ...		15	6	Rear wheel rim ...	15	16
32-6657 ...	1	4	0	Rear wheel spokes (long)...	17	16
			gross			
32-6658 ...	1	4	0	Rear wheel spoke (short)...	17	16
			gross			
32-6659 ...	12/-		grs.	Rear wheel spoke nipple ...	17	16
32-6660 ...	2	11	0	Rear hub complete with cadmium cover plate (British hub) ...	15	14
32-6661 ...	2	11	0	Rear hub complete (1 $\frac{1}{8}$ " diameter hub barrel) (Albion Harwil)	15	14
32-6662 ...		4		Rear chain adjusting lug complete	17	16
32-6665 ...		6		Rear chain adjusting lug nut ...	17	16
32-6666 ...		3	6	Jockey sprocket complete ...	17	16

## Numerical Index—continued.

Part No.	Price.		DESCRIPTION.	Page	
	£	s. d.		illustrated.	described.
32-6667 ...	1	0	Jockey sprocket arm complete ...	17	... 16
32-6670 ...	1		Jockey sprocket arm locking plate	17	... 16
32-6673 ...	2		Cone locknut ... ..	15	... 14
32-6674 ...	1		Spindle washers ... ..	15	... 14
32-6675 ...	1		Spacing washers (thin) ...	15	... 14
32-6676 ...	1 11	8	Rear hub shell and drum complete with chainwheel ... ..	15	... 14
32-6677 ...	1 1	0	Brake drum and spoke flange assembled with chainwheel ...	15	... 14
32-6678 ...	9	0	Rear hub spindle complete ...	15	... 14
32-6679 ...	2	8	Spindle ( $\frac{7}{16}$ " ) ... ..	15	... 14
32-6680 ...	3	6	Rear hub spindle only ... ..	15	... 14
32-6681 ...	1 10		Adjusting cone ... ..	15	... 14
32-6682 ...	1 10		Fixed cone ... ..	15	... 14
32-6683 ...	1	6	Cone ( $\frac{7}{16}$ " ) ... ..	15	... 14
32-6685 ...	10	6	Brake side plate with cable stop bush, fulcrum pin and anchor plate ... ..	15	... 14
32-6686 ...	16	8	Brake plate complete (less shoes) <i>not illust'd</i> ...		14
32-6687 ...	5	9	Brake shoes complete with linings	15	... 14
32-6688 ...	4	6	Brake shoe with linings ... ..	15	... 14
32-6689 ...	3	0	Brake linings with rivets ...	15	... 14
32-6690 ...	1	1	Brake linings with rivets ...	15	... 14
32-6691 ...	9		Hub Cup ... ..		<i>not illust'd</i> ... 14
32-6692 ...	9		Hub Cup ... ..		<i>not illust'd</i> ... 14
32-6695 ...	6/-	doz.	Brake shoe springs ... ..	15	... 14
32-6696 ...	7		Brake shoe spring ... ..	15	... 14
32-6697 ...	9		Spindle nuts (special) ... ..	15	... 14
32-6698 ...	6/-	doz.	Spindle nut ... ..	15	... 14
32-6701 ...	1	6	Operating lever ... ..	15	... 14
32-6702 ...	2	3	Operating cam, nut and washer...	15	... 14
32-6703 ...	6/-	doz.	Cone locknut ... ..	15	... 14
32-6704 ...	3/-	doz.	Cone lockwasher ... ..	15	... 14
32-6705 ...	9		Dust washer ... ..	15	... 14
32-6706 ...	6		Packing nut... ..	17	... 16
32-6707 ...	9		Packing collar ... ..	17	... 16
32-6708 ...	6		Rear hub distance ring ... ..	15	... 14
32-6711 ...	9		Hub dust cover ... ..	15	... 14
32-6810 ...	8	6	Front mudguard complete with num- ber plate, eyes, stays and nuts	17	... 16
32-6811 ...	5	6	Front mudguard only ... ..	17	... 16
32-7230 ...	7	6	Rear mudguard complete ... ..	19	... 18
32-7233 ...	3	3	Rear number plate ... ..	19	... 18
32-7234 ...	2		Rear number plate anchor lug ...	19	... 18
32-7245 ...	17	6	Carrier complete ... ..	19	... 18
32-7246 ...	3		Carrier and mudguard clip ...	19	... 18
32-7247 ...	3		Carrier and number plate clips ...	19	... 18
32-7810 ...	17	6	Engine shield (offside) ... ..	23	... 22
32-7811 ...	17	6	Engine shield (nearside) ... ..	23	... 22



## Numerical Index—*continued.*

Part No.	Price.		DESCRIPTION.	Page	
	£	s. d.		illustrated.	described.
32-7812 ...	1	6	Fixing bracket (offside) ...	23	27
32-8285 ...	10	0	Chainguard complete (offside) ...	21	20
32-8286 ...	1	3	Chainguard bracket (top)...	21	20
32-8287 ...	1	3	Chainguard bracket (bottom) ...	21	20
32-8288 ...	5	0	Chainguard complete (nearside) ...	21	20
32-8605 ...	3	0 0	Petrol tank complete ...	21	20
32-8606 ...	1		Petrol tank mounting rubber ...	21	20
32-8607 ...	4	6	Petrol filling cap with retaining chain ... ..	21	20
32-8608 ...	4	0	Petrol tap ... ..	21	20
82-8609 ...	4	6	Petrol pipe complete ... ..	21	20
32-8612 ...	3		Strangler rod ... ..	21	20
32-9080 ...	1	0	Frame transfer ... ..	<i>not illust'd</i>	6
32-9082 ...	1	0	Petrol tank transfer (offside) ...	<i>not illust'd</i>	20
32-9083 ...	1	0	Petrol tank transfer (nearside) ...	<i>not illust'd</i>	20
32-9305 ...	1	5 8	Saddle ... ..	<i>not illust'd</i>	22
32-9308 ...	5	8	Toolbag (including purchase tax)	23	22
32-9309 ...	2	0	Spanner ( $\frac{3}{16}$ " $\times$ $\frac{1}{4}$ " ...) ...	23	22
32-9310 ...	1	6	Spanner ( $\frac{5}{16}$ " $\times$ $\frac{3}{8}$ " ...) ...	23	22
32-9312 ...	5		Breaker point spanner ... ..	23	22
32-9313 ...	2	6	Licence holder ... ..	11	10
32-9314 ...	6	0	Bulb horn ... ..	<i>not illust'd</i>	22
32-9316 ...	14	0	Main driving chain ... ..	23	22
36-382 ...	6d.	doz.	Washer (shakeproof) ... ..	<i>various</i>	
65-8326 ...	1	0	Central stand pivot bolt ... ..	9	8
66-4707 ...	6d.	doz.	Central stand pivot bolt nut washer (shakeproof) ... ..	9	8
66-4707 ...	6d.	doz.	Fixing bolt washer (shakeproof)...	7	6
66-9049 ...	1/6	doz.	Cable clips ... ..	23	22
90-3018 ...	1	6	Silencer clip (No. 1 Jubilee) ...	7	6
90-9016 ...	1	1	Exhaust pipe union nut spanner .	23	22
P20 ...	1		Cone locknut ... ..	9	8
$\frac{3}{16}$ " dia. ...	9d.	set	Head race balls ... ..	<i>not illust'd</i>	8
$\frac{1}{4}$ " dia. ...	1/-	set	Steel balls ... ..	<i>not illust'd</i>	6
No. 3 ...	1		Pedal locknut ... ..	9	8



## GENERAL INDEX.

	<i>Pages</i>
Carrier ... ..	18
Central Stand ... ..	8
Chainguards ... ..	20
Engine ... ..	6
Engine Shields ... ..	22
Exhaust ... ..	6
Frame and Fittings (General) ... ..	6-8
Front Fork ... ..	8-10
Front Hub and Wheel Fittings ... ..	12-14
Handlebar Controls ... ..	10-12
Index (Numerical) ... ..	24-30
Mudguard (front) ... ..	16
Mudguard (Rear) ... ..	18
Petrol Tank and Fittings ... ..	20
Rear Hub and Wheel Fittings ... ..	14-16
Tools and Sundries ... ..	22

**SUPPLEMENT**

covering the

**RE-STYLED**



**AUTO CYCLE**

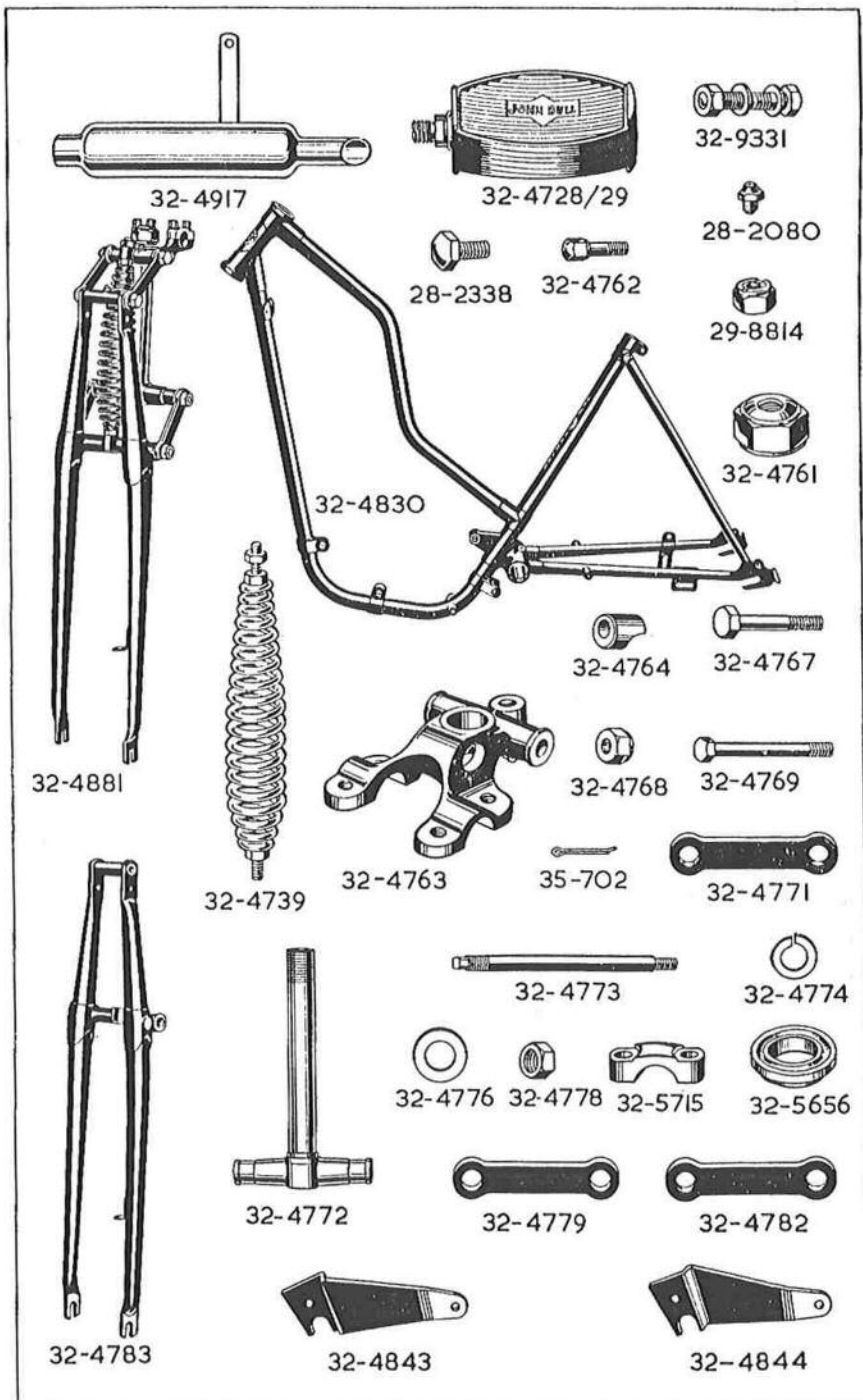
**1956-7**

*This Supplement to be used in conjunction  
with the 1950-55 Spares Catalogue*

# Supplement covering re-styled model 1956-7

Part No.	Price.	DESCRIPTION.
<b>EXHAUST SYSTEM</b>		
	£ s. d.	
32-4917 ...	1 2 6	... Silencer complete
*32-5710 ...	4	... Silencer and brake anchor screw.
29-8814 ...	3	... Silencer and brake anchor screw nut (std. Simmonds).
<b>FRAME AND FITTINGS</b>		
32-4830 ...	7 0 0	... Frame.
28-2080 ...	3	... Frame grease nipple ( $\frac{1}{4}$ " dia.).
No. 116 ...	1 0	... Head transfer ( <i>not illustrated</i> ).
No. 92 ...	1 0	... Seat tube transfer ( <i>not illustrated</i> ).
32-9331 ...	1 2	... Seat bolt assembly.
32-4728/29 (1 pr.)	8 6	... Pedals complete (John Bull).
<b>CENTRAL STAND</b>		
28-2338 ...	4	... Adjusting bolt.
<b>FRONT FORK</b>		
32-4881 ...	5 0 0	... Front fork complete (Webb).
32-4783 ...	2 17 6	... Tubular girder.
32-4761 ...	3 6	... Fork column lock nut.
32-4762(4) ...	8	... Handlebar pins.
32-4763 ...	12 6	... Top clip.
32-4764(2) ...	1 6	... Eccentric sleeve.
32-4767 ...	1 9	... Eccentric bolt.
32-4768 ...	9	... Eccentric bolt nut.
32-4769(2) ...	1 7	... Top spindle bolt.
35-702(2) ...	6d. doz.	... Top spindle bolt split pin.
*32-5690(2) ...	3	... Top spindle bolt nut.
*32-5691(4) ...	1	... Top spindle bolt washer.
32-4771(2) ...	2 3	... Top link (threaded and plain).
32-4739 ...	8 6	... Spring with nuts and bolts.
32-4772 ...	15 6	... Fork column.
32-4773(2) ...	2 9	... Bottom spindle.
*66-4707(2) ...	6d. doz.	... Bottom spindle lock washer.
32-4774(2) ...	1	... Bottom spindle washer (split).
32-4776(4) ...	1	... Bottom spindle washer (plain) (7/16" dia.).
*32-5690(2) ...	3	... Bottom spindle nut (3/8" dia.).
32-4778(2) ...	4	... Bottom spindle nut (7/16" dia.).
32-4779 ...	2 3	... Bottom link (plain) (3/8" dia.).
32-4782 ...	2 3	... Bottom link (threaded) (7/16" dia.).
*32-5698 ...	5	... Grease nipple.
32-5715(2) ...	3 6	... Handlebar clip.
32-5656 ...	2 0	... Top head race.
32-4843 ...	1 0	... Headlamp support bracket (right-hand).
32-4844 ...	1 0	... Headlamp support bracket (left-hand)
*32-5710(2) ...	3	... Headlamp support bracket bolt.
*29-541(2) ...	6d. doz.	... Headlamp support bracket washer (shakeproof).
* 2-2395(2) ...	2	... Headlamp support bracket nut.

\*Asterisks denote parts illustrated in the 1950-55 Spares List.



## HANDLEBAR AND CONTROLS

Part No.	Price.	DESCRIPTION.
	£ s. d.	
32-4887 ...	4 2 6 ...	Handlebar complete with levers and cables ( <i>not illustrated</i> ).
32-4897 ...	1 1 0 ...	Handlebar bend with front brake and decompressor lever bodies.
32-5607 ...	4 0 ...	Front brake lever with screw and nut.
*32-5672 ...	1 ...	Front brake lever screw.
*32-5673 ...	1 ...	Front brake lever nut.
32-5612 ...	2 0 ...	Decompressor lever with screw and nut.
62-549 ...	3 ...	Decompressor lever screw.
62-550 ...	3 ...	Decompressor lever nut
32-8751 ...	16 3 ...	Clutch lever complete.
32-4753 ...	6 0 ...	Clutch lever with ratchet only.
32-4907 ...	14 0 ...	Twist grip and rear brake lever assembly (Amal).
32-4786 ...	5 0 ...	Rear brake lever only.
32-4787 ...	3 ...	Rear brake pin ( <i>not illustrated</i> ).
32-4788 ...	3 ...	Rear brake nut ( <i>not illustrated</i> ).
32-4789 ...	1 ...	Rear brake lock washer ( <i>not illustrated</i> ).
32-4784 ...	5 6 ...	Twist grip body (bottom half) ( <i>not illustrated</i> ).
32-4785 ...	3 0 ...	Twist grip body (top half ( <i>not illustrated</i> )).
32-4794 (2) ...	3 ...	Twist grip clamp screw ( <i>not illustrated</i> ).
32-4790 ...	11 ...	Twist grip cable stop ( <i>not illustrated</i> ).
32-4791 ...	2 6 ...	Twist grip rotor ( <i>not illustrated</i> ).
32-4792 ...	10 ...	Twist grip friction spring ( <i>not illustrated</i> ).
32-4793 ...	7 ...	Twist grip friction spring adjusting screw ( <i>not illustrated</i> ).
32-4795 ...	1 0 ...	Twist grip rubber grip ( <i>not illustrated</i> ).
32-5587 ...	1 6 ...	Twist grip dummy grip ( <i>not illustrated</i> ).
32-4804 ...	6 0 ...	Throttle cable ( <i>not illustrated</i> ).
32-4908 ...	3 6 ...	Front brake cable ( <i>not illustrated</i> ).
32-4909 ...	5 9 ...	Rear brake cable ( <i>not illustrated</i> ).
32-4910 ...	4 6 ...	Clutch cable ( <i>not illustrated</i> ).
32-4911 ...	2 6 ...	Decompressor cable ( <i>not illustrated</i> ).

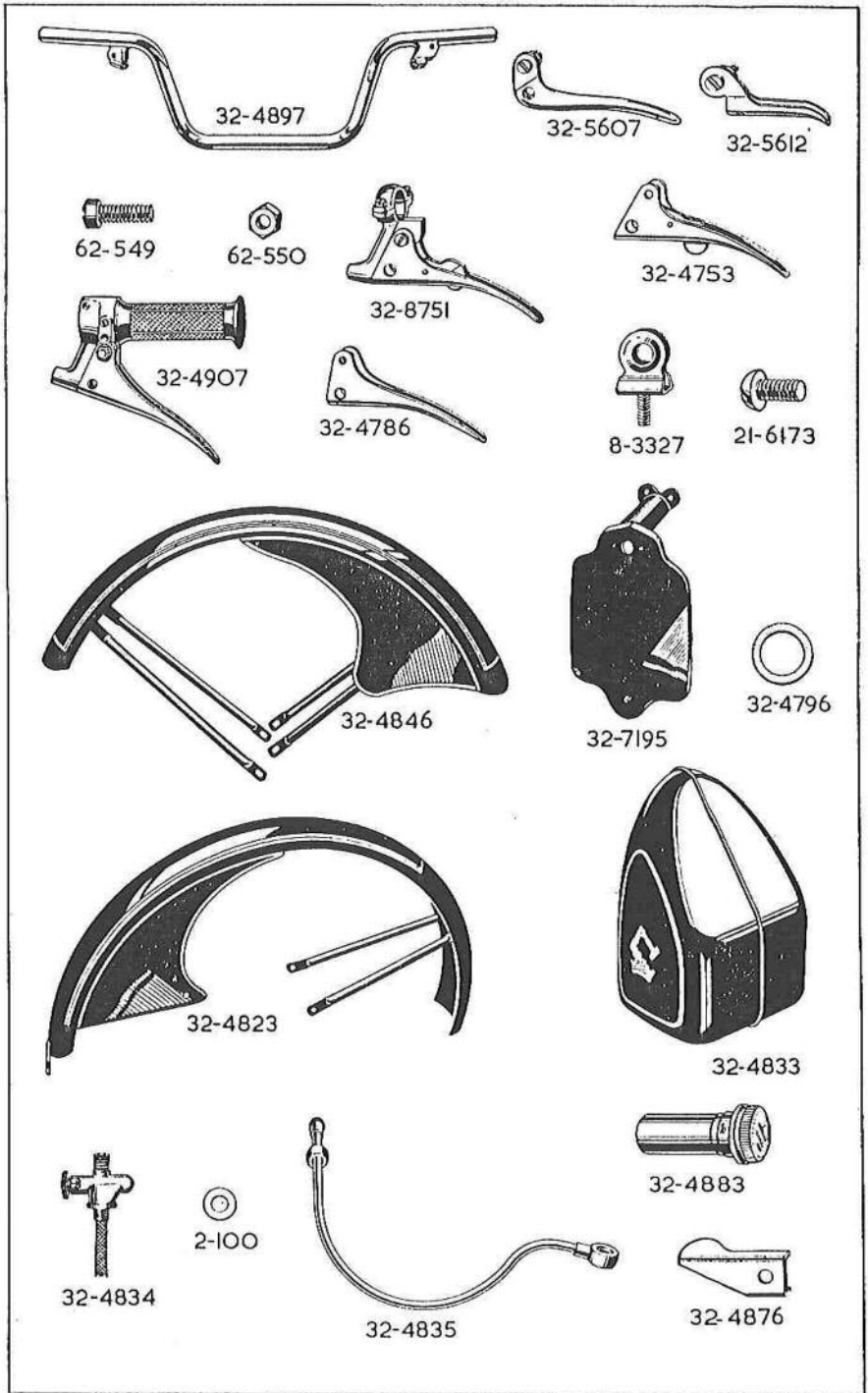
### FRONT MUDGUARD AND FITTINGS

32-4845 ...	1 7 6 ...	Front mudguard with stays and number plate ( <i>not illustrated</i> ).
32-4846 ...	1 3 6 ...	Front mudguard with stays.
8-3327 ...	3 ...	Front number plate fixing eye.

### REAR MUDGUARD AND FITTINGS

32-4822 ...	1 10 6 ...	Rear mudguard with stays and number plate ( <i>not illustrated</i> ).
32-4823 ...	1 5 0 ...	Rear mudguard with stays.
* 2-204 (2) ...	3 ...	Stay fixing bolt (frame end).
*21-5102 (2) ...	2 ...	Stay fixing bolt nut.
*29-541 (2) ...	6d. doz. ...	Stay fixing bolt washer (shakeproof).
32-7195 ...	4 6 ...	Rear number plate.
21-6173 (2) ...	1 ...	Rear number plate screw (top).
*27-8560 (2) ...	1 ...	Rear number plate washer (plain).
*29-541 (2) ...	6d. doz. ...	Rear number plate washer (shakeproof).
*21-5102 (2) ...	2 ...	Rear number plate nut. ...
* 1-6019 ...	1 ...	Rear number plate screw (bottom).
* 1-4616 ...	1 ...	Rear number plate nut.
* 1-4621 ...	6d. doz. ...	Rear number plate washer (plain).
*29-3319 ...	6d. doz. ...	Rear number plate washer (shakeproof).
*15-7383 ...	10 ...	Rear number plate mounting rubber.

\*Asterisks denote parts illustrated in the 1950-55 Spares List.





**PETROL TANK AND FITTINGS**

Part No.	Price.	DESCRIPTION.
	£ s. d.	
32-4833 ...	1 18 6 ...	Petrol tank.
32-4883 ...	5 0 ...	Filler cap with oil measure.
32-4796 ...	6 ...	Filler cap washer.
32-4834 ...	6 0 ...	Petrol tap.
2-100 ...	1 ...	Petrol tap washer (fibre)
32-4835 ...	4 6 ...	Petrol pipe complete.
No. 38 (2) ...	1 0 ...	Petrol tank transfer ( <i>not illustrated</i> ).

**CHAINCASE (Right and Left-hand)**

32-4839 ...	18 9 ...	Chaincase (right-hand).
32-4840 ...	18 9 ...	Chaincase (left-hand).
* 2-204(2) ...	3 ...	Chaincase fixing bolt.
*27-8560(2) ...	1 ...	Chaincase washer (plain).
*24-541(2) ...	6d. doz. ...	Chaincase washer (shakeproof).
No. 34(2) ...	1 0 ...	Transfer ( <i>not illustrated</i> ).

**ENGINE SHIELDS**

32-4901 ...	2 1 3 ...	Engine shield complete with fasteners (right-hand).
32-4902 ...	2 1 3 ...	Engine shield complete with fasteners (left-hand).
32-4828 ...	(set) 1 6 ...	Dzus fastener assembly comprising:
32-4878 ...		Dzus fastener
32-4879 ...		Dzus circlip
32-4880 ...		Dzus spring
8-1645(2) ...		Rubber grommet.
32-4903 ...	1 8 ...	Engine shield bracket (right-hand).
39-4904 ...	1 8 ...	Engine shield bracket (left-hand).
* 2-2273(4) ...	3 ...	Engine shield bracket fixing bolt.
*29-541(4) ...	6d. doz. ...	Engine shield bracket washer (shakeproof).
32-4905 ...	2 8 ...	Engine shield bracket (front).
* 2-204(2) ...	3 ...	Engine shield bracket fixing screw.
*29-541(2) ...	6d. doz. ...	Engine shield bracket washer (shakeproof)

**LIGHTING SET**

32-9328 ...	2 8 0 ...	Head and tail lamp complete ( <i>not illustrated</i> ).
32-9325 ...	2 0 0 ...	Headlamp with cable (Miller) ( <i>not illustrated</i> ).
32-9326 ...	7 6 ...	Tail lamp with cable (Sparto) ( <i>not illustrated</i> ).
00-6206 ...	3 6 ...	Tail lamp lens.

**TOOLS AND SUNDRIES**

1-3051 ...	2 6 ...	B.S.A. double ended spanner ( <i>not illustrated</i> ).
65-9115 ...	1 0 ...	Cylinder head box spanner ( <i>not illustrated</i> ).
29-9253 ...	6 ...	Box spanner tommy bar ( <i>not illustrated</i> ).
32-9327 ...	5 6 ...	Bulb horn ( <i>not illustrated</i> ).
42-9026 ...	5 3 ...	Inflator with Schrader connection ( <i>not illustrated</i> ).
32-9305 ...	1 5 8 ...	Saddle (S/185) ( <i>not illustrated</i> ).

**ADDITIONAL FITTINGS**

19-3413 ...	2 9 8 ...	Windscreen complete ( <i>not illustrated</i> ).
32-4841 ...	14 6 ...	Rear carrier complete ( <i>not illustrated</i> ).
32-7804 ...	1 19 8 ...	Legshields complete ( <i>not illustrated</i> ).
32-9329 ...	4 2 6 ...	Speedometer complete ( <i>not illustrated</i> ).

\*Asterisks denote parts illustrated in the 1950-55 Spares List.

