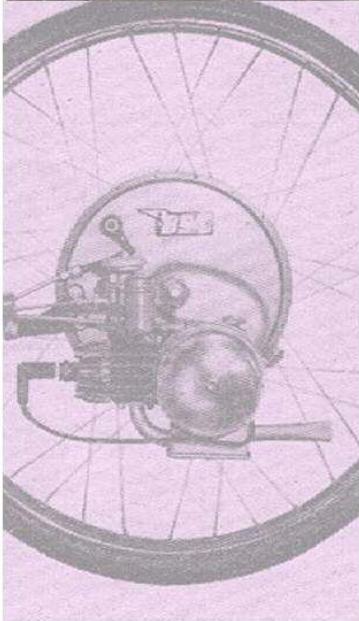


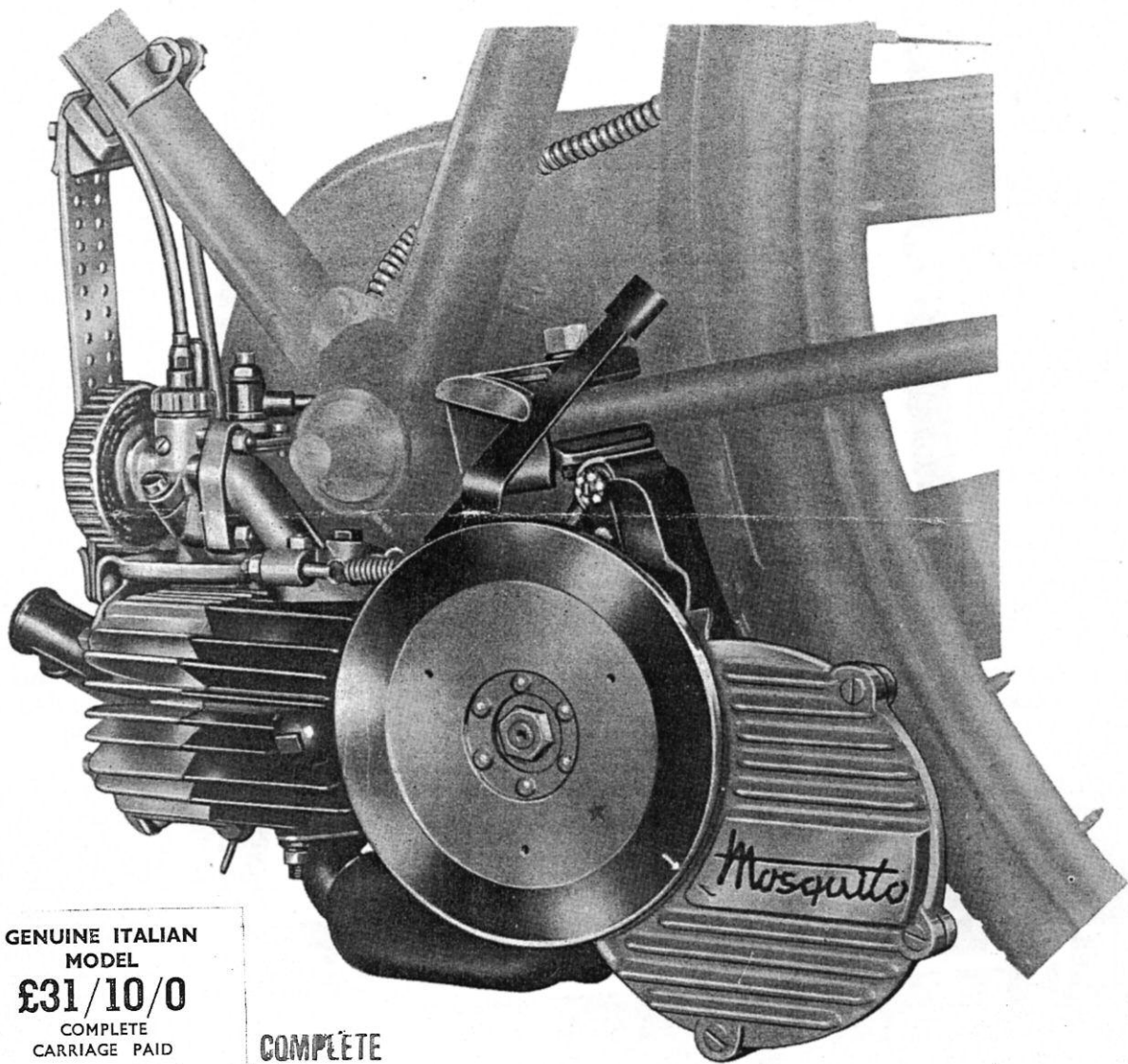
IceniCAM Information Service



www.icenicam.org.uk



THE WORLD'S BEST CYCLE ENGINE
FITTED IN THE ONLY SENSIBLE POSITION



GENUINE ITALIAN
MODEL
£31/10/0
COMPLETE
CARRIAGE PAID

COMPLETE

— NO PURCHASE TAX —

SOLE MANUFACTURER : MOSQUITO MOTORS LTD
MOORFIELDS : LIVERPOOL 2 : CENTRAL 2829

LET THE OWNER OF A MOSQUITO TELL YOU!

FITTED IN THE ONLY SENSIBLE
POSITION

POSITION ACTUALLY INCREASES
STABILITY AND PROTECTS
ENGINE FROM DAMAGE

THE CYCLE ENGINE WITH A
2 TO 1 GEAR REDUCTION

MAY BE COMPLETELY DISENGAGED
TO PERMIT NORMAL PEDALLING

2, Carlton Way,
Glazebrook,
Nr. Manchester.

Mr. Bob Sergent,
Managing Director,
Messrs. Mosquito Motors Ltd.,
Moorfields,
LIVERPOOL, 2.

Dear Sir:

I thank you for your letter of the 16th instant and for the K.L.G. sparking plug which you enclosed in reply to my letter of the 13th November.

I fitted the plug to the Mosquito Engine yesterday (Sunday) and went for a trial run of about 50 miles in Cheshire, selecting several by-ways with stiff hills. I was greatly surprised at the power of the engine, taking me up most hills without pedalling, and climbing very steep hills with pedal assistance was no greater effort than pedalling a cycle on a level road. My weight is 13½ stone so I am hardly a lightweight.

I have not yet covered 200 miles and am therefore only travelling between 12 and 15 m.p.h. The swaying suspension of the engine entirely damps out vibration and makes riding a real pleasure, and although the roads have been very wet and muddy during the last few days I have not found any slipping of the roller against the tyre. Furthermore, I do not think I shall have any anxiety regarding tyre wear.

I have been a keen cyclist for over forty years, and realize the engine is fitted in the place where the weight is least noticeable. One evening, on finishing work I decided to pedal my cycle home with the engine disengaged, and on the five miles journey I hardly knew I was carrying about 20 lbs. extra weight.

This is not my first experience of power assisted pedal cycles, having possessed one of French manufacture for a year, and I have tried others. My opinion being the Mosquito outshines the lot.

Several persons have shown interest in and remarked on the neat appearance of the engine fitted to the cycle and I am pleased to answer all enquiries, and to explain the advantage of the sturdy low geared drive when going uphill.

Yours faithfully,

Wm. Buckley.

SWINGING SUSPENSION
NEUTRALIZES VIBRATION

EASILY SECURED BY TWO BOLTS
TO THE STIFFEST PART OF THE
FRAME

WILL FIT ANY TYPE OF CYCLE
WITHOUT MODIFICATION

MODELS NOW AVAILABLE FOR
IMMEDIATE DELIVERY

OVER

175,000 OTHER
OWNERS AGREE!