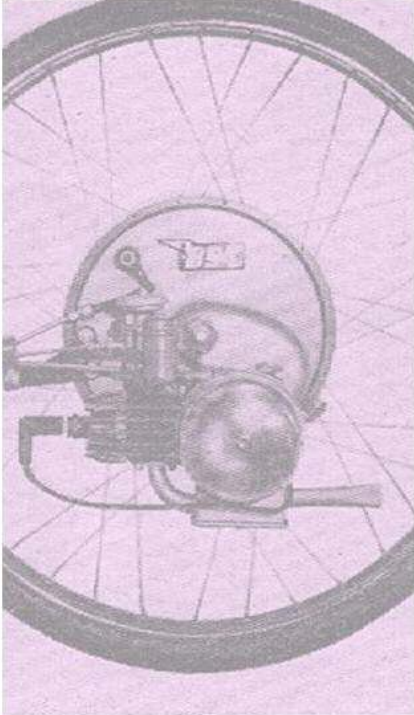


IceniCAM Information Service



www.icenicam.org.uk

CORGI Motor Cycles

COMPLETE SPARE PARTS LIST



BROCKHOUSE ENGINEERING (Southport) LTD.
CROSSENS . SOUTHPORT . LANCS. . ENGLAND
AUGUST 1955.

THE CORGI RANGE

- Mark 1. Series 1. Single speed, non-kickstart model.
Miller Flywheel Magneto—Type FWXB.
Lucas Lighting—7.8 watt.
- Mark 1. Series 2. Single speed, non-kickstart model.
Wico-Pacy Genimag—Type FW. 985Z or FW.
1054Z.
Lucas Lighting—7.8 watt.
- Mark 2. Single speed, kickstart model.
Wico-Pacy Genimag—Type FW. 985Z or FW.
1054Z.
Lucas Lighting—7.8 watt.
- Mark 4. Series 1. Two-speed gear box with kickstart; round
tubular frame.
Wico-Pacy Genimag—Type IG. 1252.
Lucas Lighting—7.8 watt.
- Mark 4. Series 2. Two-speed gear box with kickstart; square
tubular frame.
Wico-Pacy Genimag—Type IG. 1252.
Lucas Lighting—7.8 watt.
- Mark 4. Series 3. Two-speed gear box with kickstart; square
tubular frame.
Wico-Pacy Generator—Type IG. 1179.
Wico Lighting—27 watt.

INDEX

CARBURETTER	35
CHAINS	9
CLUTCH MK. 1	25
CLUTCH MK. 2	29
CLUTCH MK. 4	33
CLUTCH CABLE	15
CONTROLS	15
CRANKCASE MK. 1	25
CRANKCASE MK. 2	27
CRANKCASE MK. 4	31
CRANKSHAFTS	23
CYLINDERS	23
DIPPER SWITCH	21
DRIVE SPROCKET, CRANKSHAFT MK. 1	25
DRIVE SPROCKET, CRANKSHAFT MK. 2	27
ENGINE MK. 1	25
ENGINE MK. 2	27
ENGINE MOUNTING PLATE MK. 1	25
ENGINE MOUNTING PLATE MK. 2	27
ENGINE MOUNTING BRACKET MK. 4	31
ENGINE SPROCKET MK. 4	31
EXHAUST MK. 1 & 2	7
EXHAUST MK. 4	7
FILLER CAP	13
FOOTBRAKE	19
FOOTREST	19
FORKS	11
FRAME	7
FREE ENGINE MECHANISM	19
FRONT SHIELD	15
GEARBOX MK. 4	32
GEARCHANGE MK. 4	33
HANDLEBARS	15
HORN	21
KICKSTARTER MK. 2	27
KICKSTARTER HOUSING MK. 2	29
LAMPS, LUCAS	21
LAMPS, WICO	21
LIFTING HANDLE	9
LUGGAGE CARRIER	13
MAGNETO, MILLER	40
MAGNETO, WICO-PACY	37, 39
MAGNETO ADAPTOR, MK. 1	25
MAGNETO ADAPTOR, MK. 2	27
MAGNETO ADAPTOR, MK. 4	31
MILLER MAGNETO	40
MOUNTING BRACKET, MK. 4 ENGINE	31
MUDGUARDS	7
MUDSHIELD	7
NUMBER PLATES	9

INDEX (continued)

PETROL TANK	13
PISTONS	23
PROP STAND	19
PUMP	9
REAR LAMP	21
REFLECTOR	21
SADDLE	19
SEAT LOCK	19
SHIELD, FRONT	15
SIDECARRIER	41
SILENCER, MK. 1 & MK. 2	7
SILENCER, MK. 4	9
SPARK PLUG	23
SPEEDOMETER	9
SPROCKET, CLUTCH, MK. 1	25
SPROCKET, CLUTCH, MK. 2	29
SPROCKET, CLUTCH, MK. 4	33
SPROCKET, CRANKSHAFT, MK. 1	25
SPROCKET, CRANKSHAFT, MK. 2	27
SPROCKET, FINAL DRIVE, MK. 1	25
SPROCKET, FINAL DRIVE, MK. 2	29
SPROCKET, REAR WHEEL	17
SUPPRESSOR	23
TOOLS	9
THROTTLE CABLE	15
WHEELS	17
WICO-PACY MAGNETO	37, 39

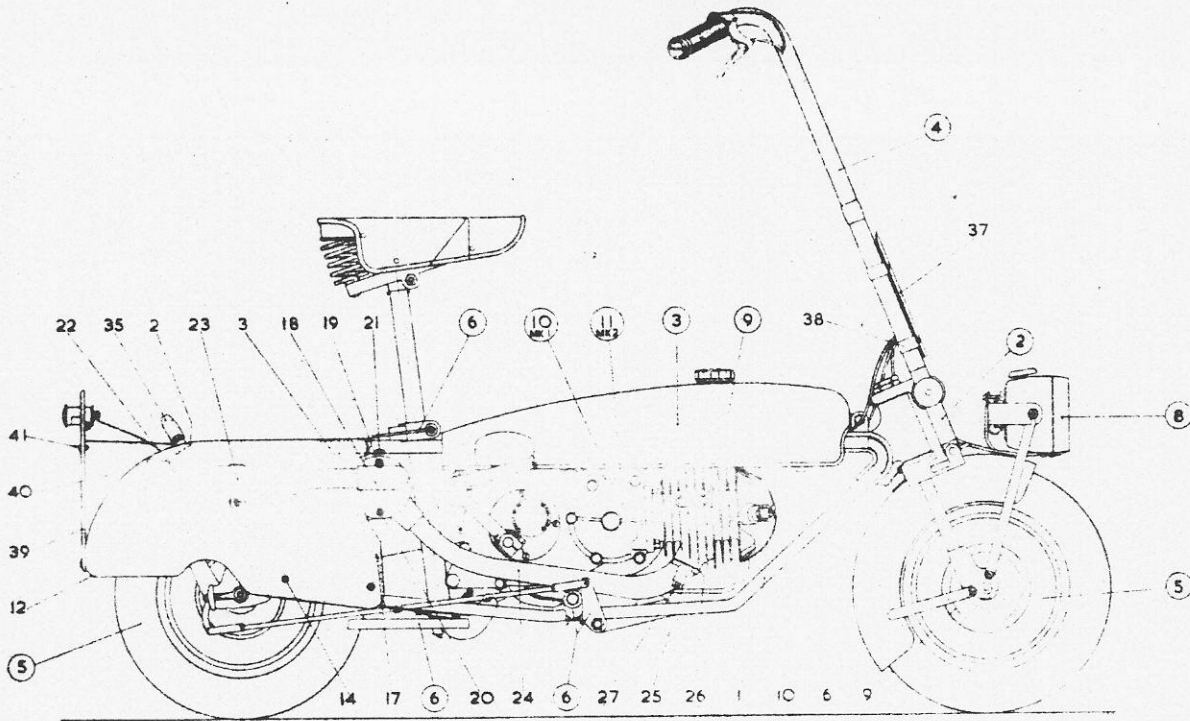
NOTES—In the Parts list components making up an assembly are shown offset under that assembly. The assembly, or any details of that assembly shown offset will be supplied if ordered against its own part number.
 The company reserve the right to alter the design and construction of its products without obligation on their part to notify customers or to install such changes on products previously made or sold.
 Where a part requested as a spare has become obsolete, it may be necessary to supply the latest designed component with its associated parts.

A/R = As Required. NLA = NO LONGER AVAILABLE.

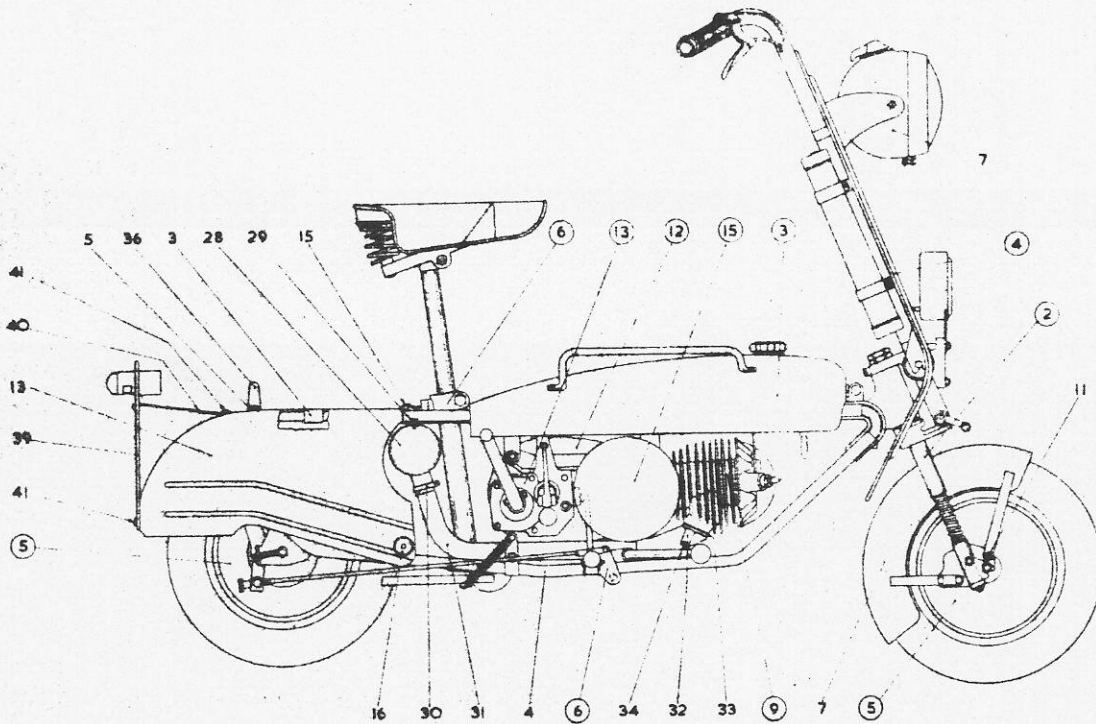
SERIAL NUMBERS: The frame serial number is stamped on the left-hand side of the headstock.
 The engine number is on the edge of the crankcase adjacent to the cylinder for the Mark 1 and Mark 2 models, but on the Mark 4 it is to be found on the boss opposite to the spark plug hole on the cylinder head.

CORGI MOTOR CYCLES.

SPARE PARTS LIST.



CORGI MARK 2.



CORGI MARK 4.

Numbers encircled refer to detail plates.

FRAME—MUDGUARDS—SILENCER

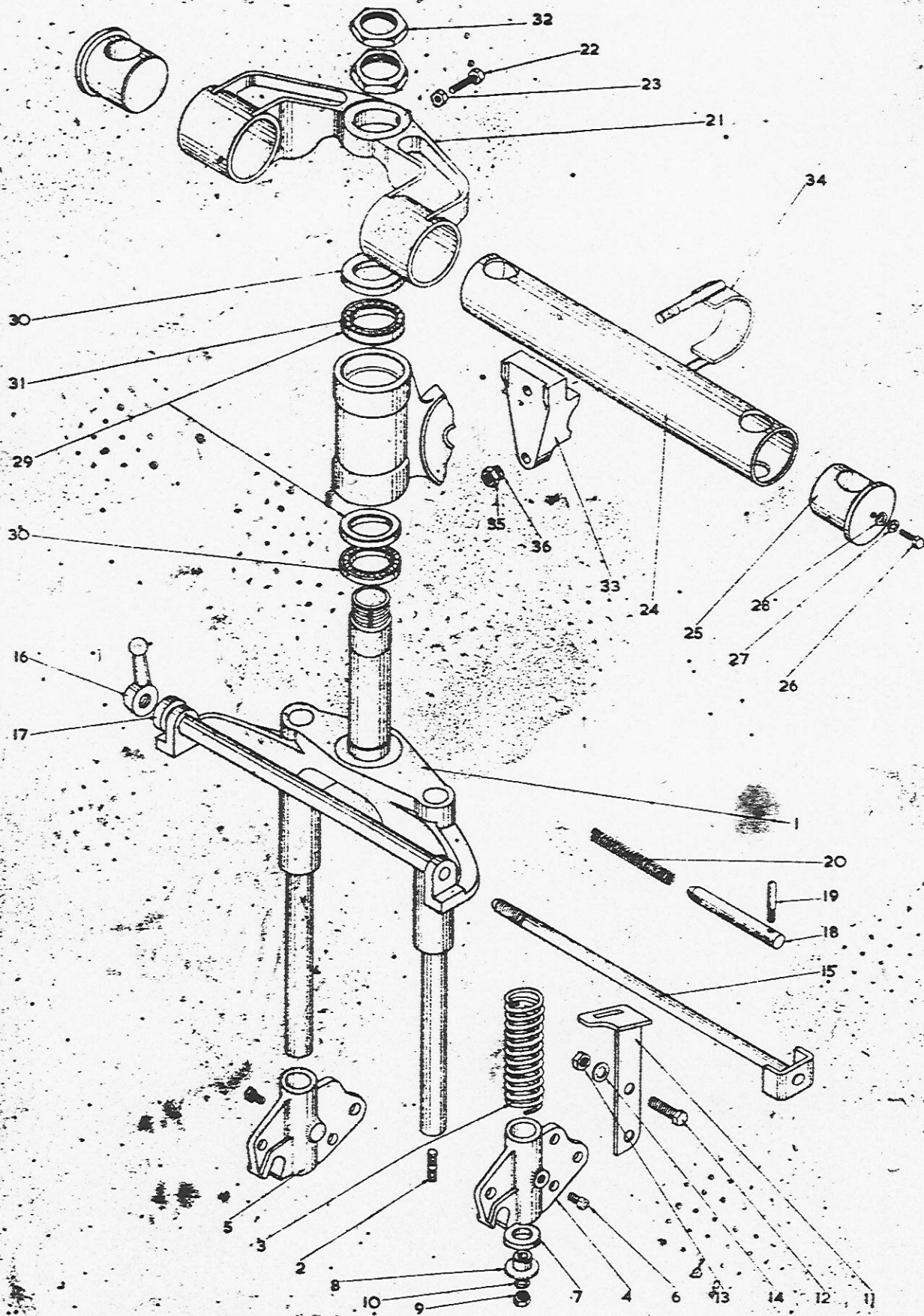
PLATE 1

Plate Ref. No.	B.E.S. Part No.	DESCRIPTION	No. off	REMARKS
1/1	802	FRAME, includes:—	1	Mk. 1 & 2.
1/2	1015	Rubber washer—lifting handle stud	2	
1/3	1016	Rubber sleeve—top rear frame	2	
1/4	902/802	Frame, includes:—	1	Mk. 4
1/5	6917	Rubber washer—lifting handle stud	2	
1/3	1016	Rubber sleeve—top rear frame	2	
—	6886	Tie Rod, engine upper	1	
—	7329	Tie Rod, engine lower	1	Mk. 4 not fitted
—	12/306/4	Bolt, engine tie rod	2	after Frame No.
—	61/001/4	Nut—engine tie rod	2	26093
—	104/214	Washer—engine tie rod	2	
1/6	804	FRONT MUDGUARD	1	Mk. 1 & 2 Solid type forks.
—	6865	Front Mudgard	1	Mk. 1 & 2 Sprung forks.
1/7	6943	Front Mudgard	1	Mk. 4.
1/9	52/256/1	Screw—Mudgard stays	4	
1/10	51/256/1	Bolt—Mudgard bracket	1	for 804.
—	104/210	Washer—Mudguard Screws	5	
1/11	12/309/1	Bolt—Mudguard Stays	6	
—	61/001/1	Nut—Mudguard Stays	6	for 6865 & 6943.
—	104/214	Washer—Mudguard Stays	6	
1/12	1039	REAR MUDGUARD	1	Mk. 1 & 2.
1/13	6879	Rear Mudguard	1	Mk. 4.
—	944	Rubber Grommet	1	
1/14	51/258/1	Screw—Rear Mudguard	4	
—	62/302/1	Nut—Rear Mudguard	4	Mk. 1 & 2.
—	101/502	Washer—Rear Mudguard	4	
1/15	6920	Hinge Pin	1	
—	62/302/4	Nut—Hinge Pin	1	
—	7191	Stud—Rear Mudguard	2	
1/16	6903	Locking Nut—stud	2	Mk. 4.
—	6905	Rubber Washer—stud	2	
1/17	1135	INNER MUDSHIELD	1	
—	21/255/1	Bolt—Inner Mudshield	4	
—	62/302/1	Nut—Inner Mudshield	4	
SILENCER & EXHAUST MK. 1 & MK. 2.				
1/18	805	SILENCER ASSY. } each includes:—	1	Mk. 1.
1/18	1093	Silencer Assy. }	1	Mk. 2.
—	987	Body, or	1	Mk. 1.
—	1094	Body	1	Mk. 2.
—	985	End, L.H.	1	
—	986	End, R.H.	1	
1/19	890	Stay bolt, long	1	
1/20	992	Stay bolt, short	1	
—	61/301/1	Nut, stay bolt	2	
1/21	42/404/1	Screw, top fixing—Silencer	1	
—	102/105	Washer—top fixing	1	
1/22	1032	EXHAUST TAIL PIPE	1	
1/23	1128	Mudguard clip—exhaust tail pipe	1	
—	52/256/1	Screw—Mudguard clip	1	
—	104/210	Washer—Mudguard clip	1	
1/24	1029	ENGINE EXHAUST PIPE	1	
—	52/253/1	Screw Engine Exhaust Pipe	1	
—	102/502	Washer—Engine Exhaust Pipe	1	
1/25	1120	ENGINE EXHAUST STUB	1	
1/26	1127	Gaske—Engine Stub	1	
1/27	29/000/1	Bolt—Engine Stub	2	
—	102/104	Washer—Engine Stub	2	

NUMBER PLATES—SPEEDOMETER—CHAINS

PLATE 1

Plate Ref. No.	B.E.S. Part No.	DESCRIPTION	No. off	REMARKS
SILENCER & EXHAUST MK. 4.				
1/28	6874	SILENCER AND CHAINGUARD	1	
1/29	42/406/1	Screw, top fixing—Silencer	1	
—	104/218	Washer	1	
1/30	310/005	Jubilee Clip	1	
1/31	6872	Engine Exhaust Pipe	1	
—	52/253/1	Screw—Engine Exhaust Pipe	1	
1/32	6871	EXHAUST ENGINE STUB	1	
1/33	1127	Gasket—Engine Stub.	1	
1/34	12/318/1	Bolt—Engine Stub.	2	
—	104/214	Washer—Engine Stub.	2	
1/35	1119	LIFTING HANDLE	1	Mk. 1 & 2.
1/36	6916	Lifting Handle	1	Mk. 4.
—	42/306/1	Setscrew	2	} Mk. 1 & 2.
—	104/214	Washer	2	
—	42/308/4	Pivot Screw	1	} Mk. 4.
—	61/041/4	Nut	2	
—	101/304/4	Washer	2	} Mk. 1 & 2.
1/37	1134	FRONT NUMBER PLATE	1	
1/38	1028	Clip—Front Number Plate	4	
—	52/255/1	Screw—Front Number Plate	4	
—	62/302/1	Nut—Front Number Plate	4	
1/39	6945	REAR NUMBER PLATE	1	
1/40	1889	Support Bracket—Rear Number Plate	2	
1/41	44/306/1	Screw	3 or 5	
—	61/001/1	Nut	3 or 5	
—	102/104	Washer	3 or 5	
—	3067	Support Bracket—Rear Reflector	1	
—	519/050	SPEEDOMETER, D. Shaped Head, M.P.H. Model	1	
—	519/051	Speedometer, D. Shaped Head, M.P.H. Model	1	Non-Trip.
—	519/052	Speedometer, D. Shaped Head, K.P.H. Model	1	
—	519/053	Speedometer, D. Shaped Head, K.P.H. Model	1	Non-Trip.
—	519/054	Fixing Bracket	1	
—	519/055	Gearbox w/17T. pinion	1	
—	519/056	Gear Ring 41T.	1	
—	519/057	Fibre pinion (bushed)	1	
—	519/058	CABLE COMPLETE, includes	1	
—	519/059	Inner flex	1	
—	519/060	Outer flex	1	
—	1921	Distance Tube—Rear Spindle	1	
—	53/260	Screw—Gear Ring Fixing	4	
—	516/005	PUMP	1	
—	516/006	Pump Clips w/screws	1 pair	
TOOLS				
—	1225	Flywheel Extractor	1	Wico Magneto.
—	1004	Spanner, general purpose	1	
—	1905	Spanner, Steering Head	2	
CHAINS				
—	503/016	Final Drive Chain w/connecting link	1	Renolds 111046. 82 Pitches. Mk. 1 & 2.
—	503/005	Final Drive Chain w/connecting link	1	Renolds. 111046. 86 Pitches. Mk. 4.
—	503/025	Final Drive Chain w/connecting link	1	Renolds. 111046. 89 Pitches. Mk. 4. (Sidecar)
—	503/006	Connecting link	1	Renolds. 111046/26.
—	503/034	Primary Chain w/connecting link	1	Renolds. 110038. 56 Pitches. Mk. 1 & 2.
—	502/012	Primary Chain w/connecting link	1	Renolds. 110038. 58 Pitches. Mk. 4.
—	503/018	Connecting Link	1	Renolds. 110038/26.
—	503/035	Connecting Link	1	Perry Chain. No. 6.
—	503/036	Connecting Link	1	Perry Chain. No. 10.
—	503/007	Chain Adjuster	2	



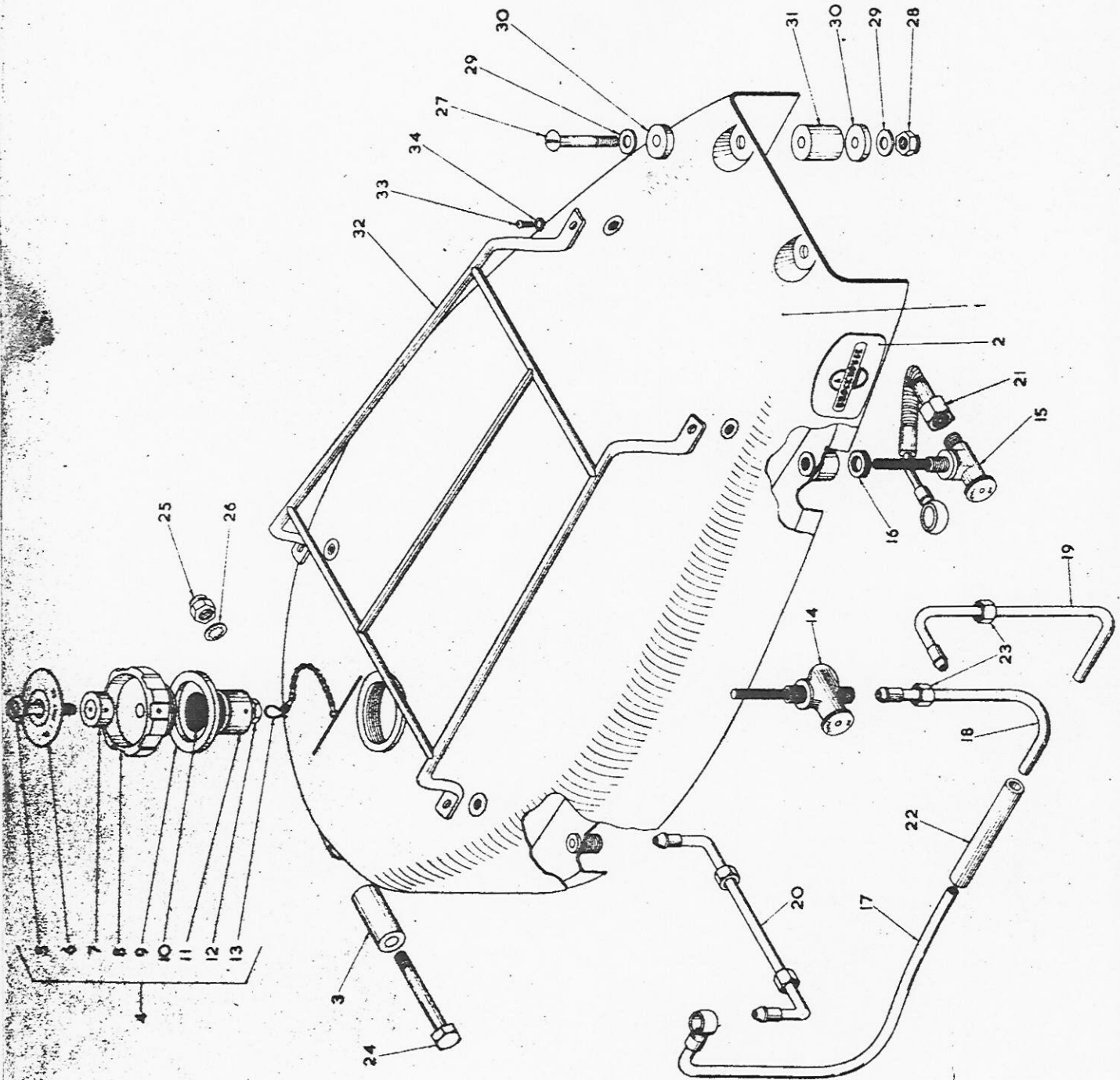
FRONT FORKS.

FRONT FORKS

PLATE 2

Plate Ref. No.	B.E.S. Part No.	DESCRIPTION	No. of	REMARKS
—	808	FRONT FORKS (solid type)	1	Mk. 1 & 2 obsolete.
—	902/010	Spring Fork conversion set	1	Kit of parts req'd to fit Sprung Forks to Mk. 1 & 2. (Includes forks)
—	902/008	FRONT SPRUNG FORKS assy. includes:—	1	Mk. 4 & Mk. 1 & 2 after conversion.
2/1	902/008	Front sprung forks including:—	1	
2/2	111/006/1	Stud	2	
2/3	6147	Spring	2	
2/4	6866/1	End Lug, L.H.	1	
2/5	6866/2	End Lug, R.H.	1	
2/6	308/004	Grease Nipple	2	
2/7	6143	Rebound Washer	2	
2/8	6144	Bush	2	
2/9	61/001/1	Nut—fork stud	2	
2/10	104/214	Washer—fork stud	2	
2/11	6867	Brake anchor plate	1	
2/12	12/309/1	Bolt—Brake anchor plate & mudguard	7	
2/13	61/001/1	Nut—Brake anchor plate & mudguard	7	
2/14	104/214	Washer—Brake anchor plate & mudguard	7	
2/15	7112	Handlebar clamping bolt	1	
2/16	7115	Locking Nut	1	Used with Sprung Forks.
2/17	7181	Spacer	1	
2/18	1020	Sliding pin, handle bar lock	2	
2/19	1021	Pin, handle bar lock	2	Used with Solid Forks
2/20	1022	Spring handle bar lock	2	
2/21	954	Bearing Bracket	1	
2/22	1051	Bolt—Bearing Bracket	1	
2/23	61/041/1	Locknut—Bearing Bracket	1	
2/24	1018	Pivot Tube	1	
2/25	1014	Plug—Pivot Tube	2	
2/26	51/255/1	Screw—plug	2	When Front Shield is not fitted.
2/26	51/257/1	Screw—plug	2	When Front Shield is fitted.
2/27	164/210	Lockwasher—plug screw	2	
2/28	101/502	Washer, plain—plug screw	2	When Front Shield is fitted
2/29	1028	Ball Race—Steering Head	2	
2/30	1018	Ball Race—Steering Column	2	
2/31	304/006	Steel Balls 1/8in. dia.	56	202
2/32	1024	Locknut—Steering Column	2	
2/33	6847	Horn Clamping Block	1	
2/34	6848	Horn Strap	1	
2/35	61/001/4	Nut—Horn Strap	2	
2/36	104/214	Washer—Horn Strap	2	

P E
 3-4-6
 6-15-0
 5-15-0
 3-19-6
 2
 1-3
 12-6
 12-6
 6
 3
 1-4
 2
 1
 5-7
 2
 4
 1
 5-9
 3-2
 1-6
 1-0
 6
 6
 1-10-0
 6
 6
 72-9
 5-0
 8
 4
 1
 3-6
 3-6
 4
 1-10
 5-2
 4
 1



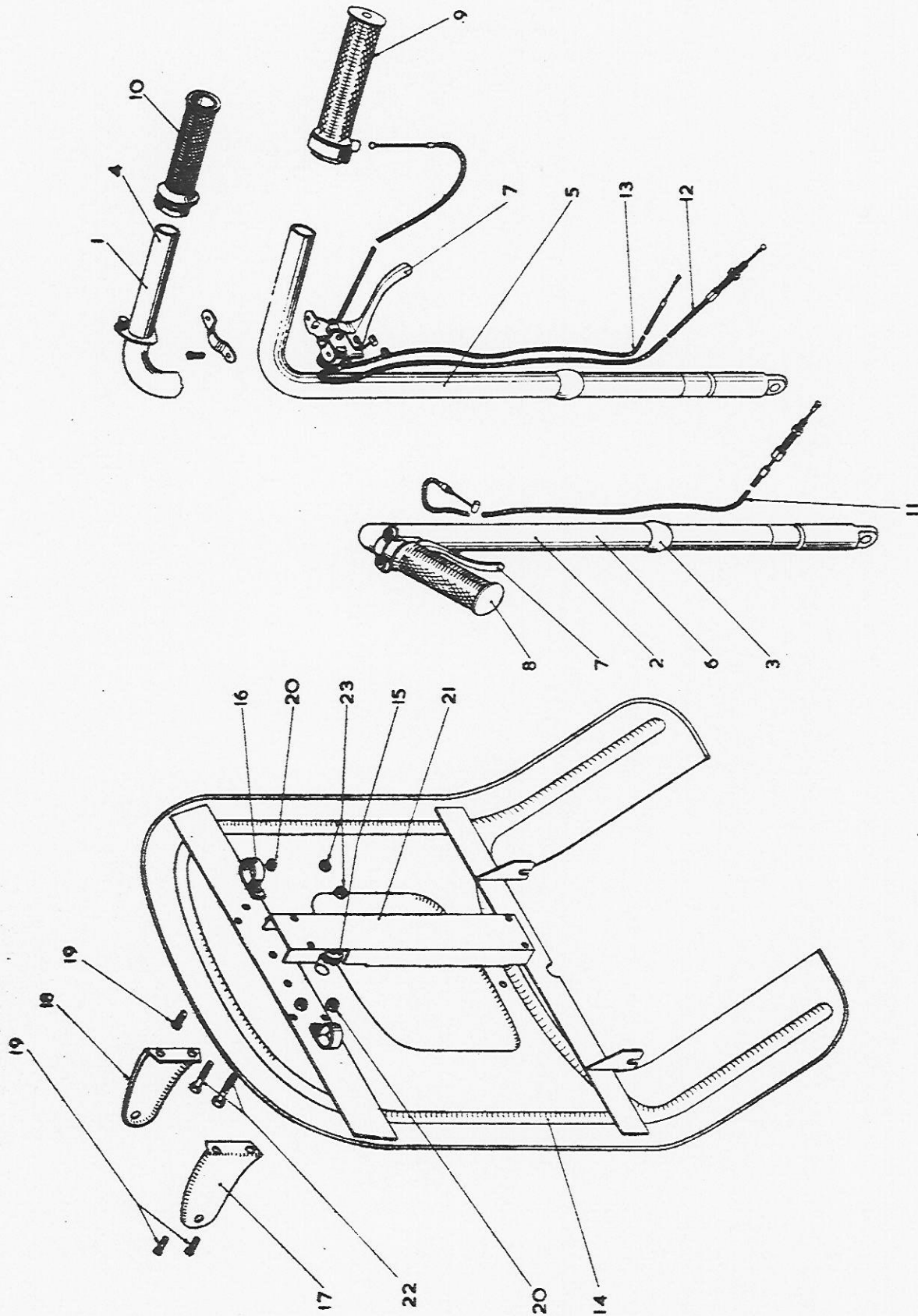
PETROL TANK.

PETROL TANK — LUGGAGE CARRIER

PLATE 3

Plate Ref/No.	B.E.S. Part No.	DESCRIPTION	No. off	REMARKS
3/1	803	PETROL TANK c/w Filler Cap, } each includes	1	Mk. 1 & 2.
3/1	902/016	Petrol Tank c/w Filler Cap	1	Mk. 4.
—	964	Petrol Tank (bare)	1	Mk. 1 & 2.
—	6884	Petrol Tank (bare)	1	Mk. 4.
—	7170/1	Transfer	1	"A. Brockhouse Product"
—	7170/3	Transfer	1	"Corgi."
3/2	1136	Rubber Shield	2	
3/3	976	Bush, rubber—front mounting	1	
3/4	1906	Filler cap, includes:—	1	
3/5	1907	Screw	1	
3/6	7170/5	Instruction plate	1	
3/7	1908	Collar	1	
3/8	1911	Cap	1	
3/9	975	Leather washer	1	
3/10	1910	Handle peg	1	
3/11	1909	Cup	1	
3/12	61/001/1	Nut	1	
3/13	1140	Chain & bar	1	
3/14	516/003	PETROL TAP w/filter	1	Mk. 1. Series 1.
3/15	516/004	Petrol Tap w/filter	1	Mk. 2 & 4 & Mk. 1. Series 2
3/16	1172	Washer—Petrol Tap	1	
3/17	1183	PETROL PIPE, long—Carburettor	1	Mk. 1 & 2.
3/18	1178	Petrol Pipe, short—Tank	1	Mk. 1 series 1.
3/19	1886	Petrol Pipe, short—Tank	1	Mk. 1 series 2
3/20	1160	Cross Petrol Pipe	1	
3/21	6895	Flexible Petrol Pipe	1	Mk. 4.
3/22	1185	Rubber connecting tube	1	Mk. 1 & 2.
3/23	123/062	Union Nut	1	Mk. 1 & 2.
3/24	20/001/1	BOLT—FRONT TANK MOUNTING	1	
3/24	12/430/1	Bolt—Front Tank Mounting	1	When Speedometer is fitted
3/25	61/302/1	Nut—Front Tank Mounting	1	
3/26	104/218	Washer—Front Tank Mounting	1	
3/27	1169	BOLT—REAR TANK MOUNTING	2	
3/28	61/301/1	Nut—Rear Tank Mounting	2	
3/29	101/304/1	Washer—Rear Tank Mounting	4	
3/30	1170	Rubber Washer	A/R	
3/31	1031	Rubber distance piece	2	
3/32	6885	LUGGAGE CARRIER	1	Mk. 4.
3/33	52/258/2	Screw—fixing	4	
3/34	104/210	Washer—fixing	4	

95
 9-10-
 9-10-
 9-0-
 9-0-
 NLA
 NLA
 11-
 NLA
 NLA
 NLA
 NLA
 NLA
 NLA
 7-
 7-
 3-
 2-
 3-
 5-
 6-
 2-2-
 4

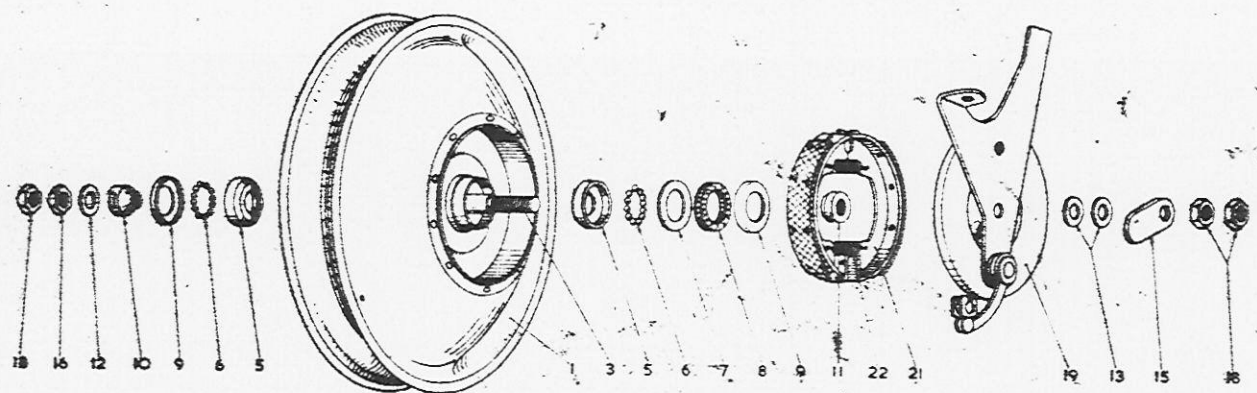


HANDLEBARS.

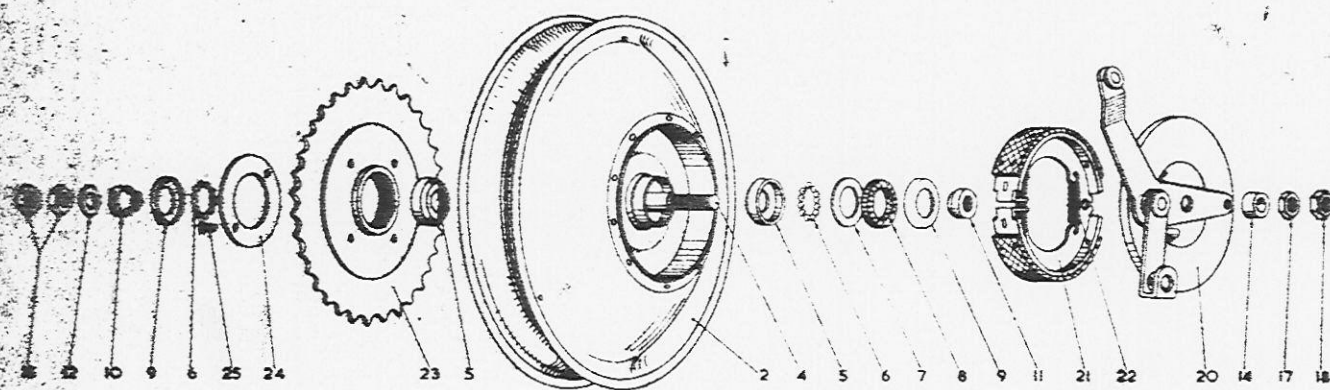
HANDLEBARS— FRONT SHIELD

PLATE 4

Plate Ref. No.	B.E.S. Part No.	DESCRIPTION	No. off	REMARKS
4/1	902/012	HANDLEBAR, R.H.,	1	Mk. 1 & 2.
4/2	902/013	Handlebar, L.H.,		
4/3	1137	Rubber sleeve	1	
4/4	6793	Handlebar, R.H. (with brazed twist grip lug)	1	Mk. 4. for Wellbike Twist Grip
4/5	6794/2	Handlebar, R.H.	1	Mk. 4. for Amal Twist Grip.
4/6	6794/1	Handlebar, L.H.	1	Mk. 4.
CONTROLS				
4/7	503/008	HAND LEVER clutch and brake	2	
4/8	503/009	Dummy Twist Grip	1	
4/9	503/010	Twist Grip—Amal. includes:—	1	
—	518/007	Rubber Sleeve	1	
4/10	503/011	Twist Grip—Wellbike—includes:—	1	
—	518/008	Rubber Sleeve	1	
4/11	1199	CLUTCH CABLE	1	Mk. 1 & 2
4/11	6900	Clutch Cable.	1	Mk. 4.
4/12	1175	Brake Cable	1	
4/13	1177	Throttle Cable—Wellbike Twist Grip	1	
4/13	6899	Throttle Cable—Amal. Twist Grip	1	
—	316/001	Slotted Cable Stops. No. 9	2	
—	902/011	MK. 2. FRONT SHIELD SET	1	Set of parts (including Shield) to enable front Shield to be fitted to Corgis Mk. 1 & 2.
—	902/009	Front Shield Assy. includes:—	1	Mk. 4.
4/14	7190	Front Shield	1	
4/15	507/001	Rubber Gromett	1	
4/16	6904	Handlebar clip	2	
4/17	7182/1	Headlamp Bracket. L.H.	1	
4/18	7182/2	Headlamp Bracket. R.H.	1	
4/19	44/308/1	Screw	6	
4/20	61/301/1	Nut	6	
4/21	6789	Cable Channel	1	
4/22	21/268/2	Bolt	4	
4/23	62/302/1	Nut	4	



FRONT WHEEL.

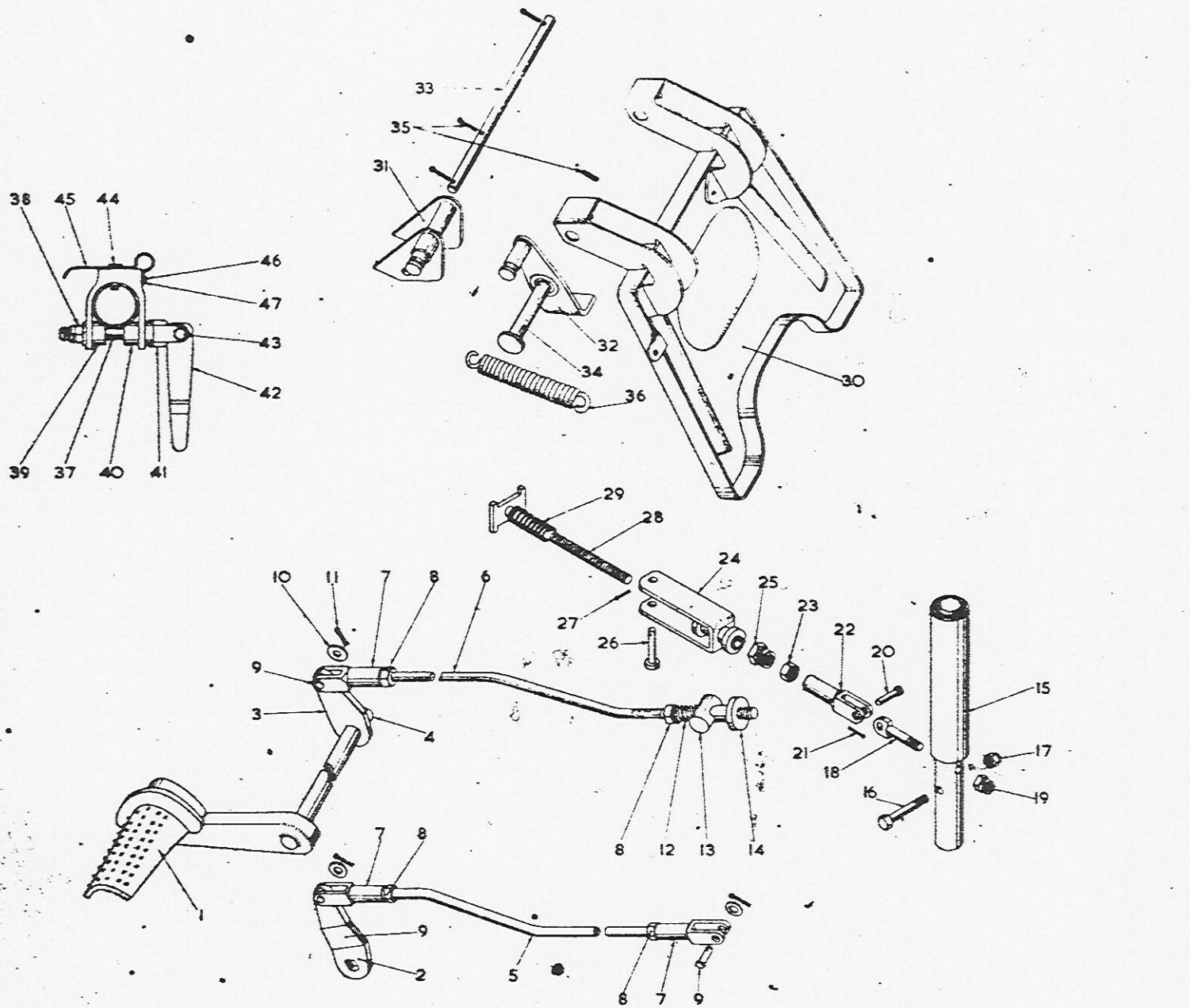


REAR WHEEL

FRONT & REAR WHEELS

PLATE 5

Plate Ref. No.	B.E.S. Part No.	DESCRIPTION	No. off	REMARKS
—	814	FRONT SPOKED WHEEL less tyre & tube	1	Obsolete. 4-0-0
—	1990	Front Disc Wheel less tyre & tube	1	Solid Forks. 4-15-0
—	6868/1	Front Disc Wheel less tyre & tube	1	Sprung Forks. 4-15-0
—	815	REAR SPOKED WHEEL less tyre & tube	1	Obsolete. 6-3-0
—	1940	Rear Disc Wheel with Sprocket less tyre & tube	1	Mk. 1 & 2 (State size of Sprocket). 6-3-0
—	6901/1	Rear Disc Wheel with Sprocket less tyre & tube	1	Mk. 4 (State size of Sprocket). 6-3-0
5/1	1857	Front Wheel (Bare) } includes :—	1	
5/2	1877	Rear Wheel (Bare) }	1	
—	308/005	Lubricator	1	
5/3	1815	Spindle—front	1	Solid Forks. Spoke & Disc Wheels. 5-1
5/8	6145	Spindle—front	1	Sprung Forks—Disc Wheels. 5-1
5/4	1846	Spindle—rear	1	
—	1817	Inner ball race cup	2	Obsolete—replace with 6893 & 3/16" balls. N/A
5/5	6893	Inner ball race cup	2	
—	304/002	Steel balls 1/4" dia.	18	Used with 1817. 002
5/6	304/007	Steel balls 3/16" dia.	24	Used with 6893. 002
5/7	1826	Ring—felt retaining	1	
5/8	1824	Felt Washer	1	
5/9	1825	Felt retaining cup	2	
5/10	1814	Adjustable cone	1	
5/11	1813	Fixed cone	1	
5/12	1830	Washer—adjustable cone	1	
5/13	1829	Distance washer—Front brake plate	2	
5/14	1850	Distance piece—Rear brake plate	1	
5/15	1855	Stop plate—Front brake lever	1	
5/16	63/001	Locknut, 1/2"—front spindle	1	
5/17	63/003	Locknut, 3/16"—rear spindle	1	
5/18	63/002	Nut 1/2" spindle	3	
5/19	1816	FRONT BRAKE DRUM COVER ASSY.	1	Solid Forks, Spoke & Disc Wheels. 12-0
5/19	6869	Front Brake Drum Cover Assy.	1	Sprung Forks, Disc W. 9-0
5/20	1847	Rear Brake Drum Cover Assy.	1	Mk. 1 & 2. 12-0
5/20	6902	Rear Brake Drum Cover Assy.	1	Mk. 4. 12-0
5/21	1808	BRAKE SHOES w/LININGS includes :	1 pr.	PER PAIR 12-0
—	1809	Brake Shoe	2	
—	1819	Brake lining	2	
—	130/002	Rivets	16	
5/22	1827	Spring, brake shoe	2	
5/23	1124	SPROCKET. 27 teeth	1	Mk. 1 & 2. 1-2-0
—	1239	Sprocket. 31 teeth	1	Mk. 1 & 2. 1-7-0
—	6924/4	Sprocket. 35 teeth	1	Mk. 4. 1-7-0
—	6924/7	Sprocket. 38 teeth	1	Mk. 4. 1-7-0
5/24	1125	Locking ring—sprocket	1	
5/25	52/256/1	Screw—locking ring	1	



FOOTBRAKE

PLATE 6.

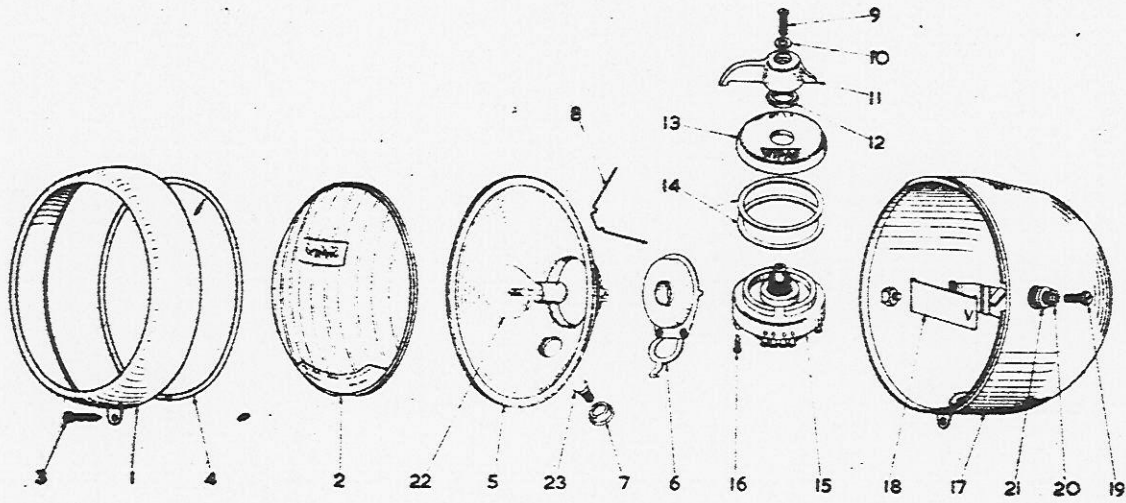
PLATE 6

Plate No.	R.E.S. Part No.	DESCRIPTION	No. off	REMARKS
6/1	813	BRAKE PEDAL ASSY.	1	Fitted to Mk. 1, 2 & 4, up to Serial No. 25762, Now Obsolete, replaced by 6787. <i>NLA</i>
6/1	6787	Brake pedal Assy.	1	Fitted to Mk. 4. after Serial No. 25762. <i>9-6</i>
6/2	1118	BRAKE LEVER	1	Mk. 1 & 2, Obsolete, now replaced by 6782. <i>NLA</i>
6/2	6782	Brake Lever	1	Mk. 1 & 2. <i>3-7</i>
6/3	6380	Brake Lever	1	Mk. 4. Up to Ser. No. 25762. Obsolete, replaced by 6783. <i>NLA</i>
6/3	6783	Brake Lever	1	Mk. 4, after Ser. No. 25762. <i>3-7</i>
6/4	61/323/1	Nut—brake lever	1	For 813 with 1118. <i>6</i>
—	6786	Lockwasher—Brake lever	1	<i>9</i>
6/4	61/003/1	Nut—brake lever	1	For 813 with 6782 or 6380. <i>6</i>
6/4	61/343/1	Nut—brake lever	1	For 6787 with 6782 or 6783. <i>6</i>

FOOTRESTS — PROP STAND, ETC.

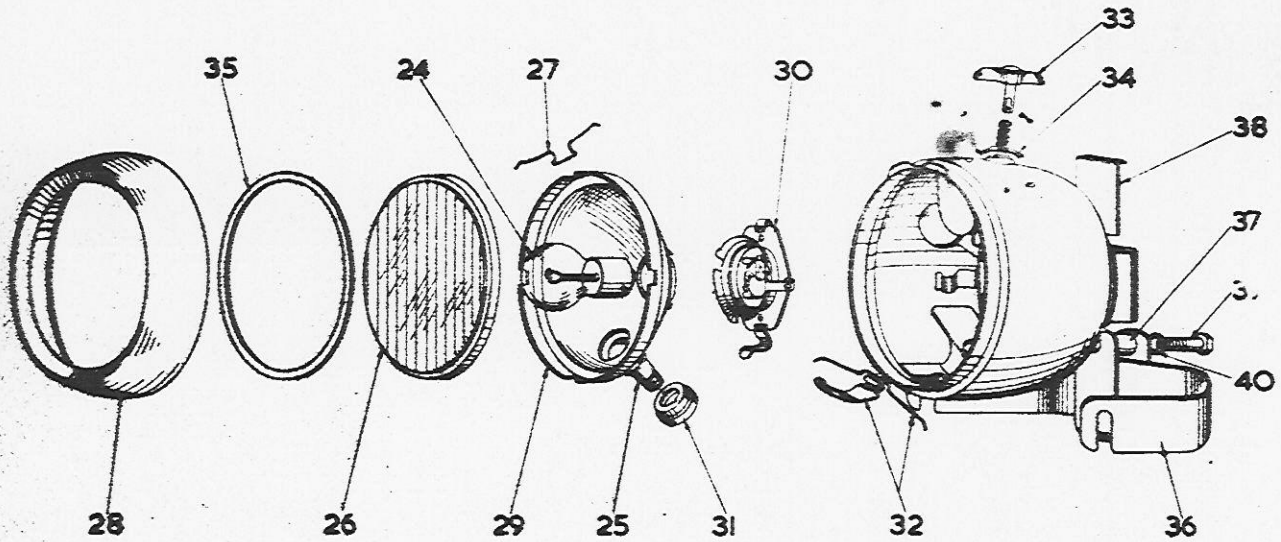
PLATE 6

Plate Ref. No.	B.E.S. Part No.	DESCRIPTION	No. off	REMARKS
6/5	1121	BRAKE ROD	1	Mk. 1 & 2.
6/6	6891	Brake rod	1	Mk. 4.
6/7	1122	Knuckle, brake rod	1 or 2	
6/8	61/041/1	Locknut—brake rod	2	
6/9	114/002/1	Clevis pin—brake knuckle	1 or 2	
6/10	101/303/1	Washer—Clevis pin	1 or 2	
6/11	99/006	Split pin—Clevis pin	1 or 2	
6/12	4656	Spring—brake rod adjuster	1	} Mk. 4.
6/13	6892	Trunnion—brake rod adjuster	1	
6/14	6899	Adjuster—brake rod adjuster	1	
—	1890	FOOTREST c/w RUBBER each includes:—	2	Mk. 2.
		Note:—This Footrest is used at 2 off for Mk. 1., but 1 off, on the nearside, for Mk. 2.		
—	1891	Tube	1	
—	1181	Washer	1	
—	1892	Rubber sleeve	1	
6/15	1902	Footrest c/w rubber, includes:—	1	Mk. 2. Offside only.
—	1903	Tube	1	
—	1181	Washer	1	
—	1904	Rubber sleeve	1	
—	902/016	Footrest c/w rubber, each includes:—	2	Mk. 4.
—	1891	Tube	1	
—	618/008	Rubber sleeve	1	
6/16	21/268/2	Swivel bolt—footrest	2	
6/17	62/302/1	Nut—Swivel bolt	2	
FREE ENGINE CONTROL MECHANISM				
6/18	1900	Eye Bolt	1	Mk. 2. Corgi only.
6/19	62/302/1	Nut—eyebolt	1	
6/20	114/005/1	Clevis pin	1	
6/21	99/006	Split pin	1	
6/22	1122	Knuckle	1	
6/23	61/041/1	Locknut—knuckle	1	
—	992/017	Stirrup assy.	1	
6/25	61/301/1	Stiffnut—stirrup assy.	1	
6/26	114/006/1	Clevis pin stirrup assy.	1	
6/27	99/006	Split pin—stirrup assy.	1	
6/28	1901	Stud & washer assy.	1	
6/29	1899	Spring	1	
6/30	1001	PROP STAND	1	Mk. 1 & 2.
6/30	6876	Prop stand	1	Mk. 4.
6/31	1097	Toggle	1	Mk. 1 & 2.
6/32	6877	Spring boss	1	Mk. 4.
6/33	1166	Spindle	1	Mk. 1 & 2.
6/34	6878	Pin	2	Mk. 4.
6/35	99/006	Split pin	2 or 3	
6/36	1145	Spring	1	
—	519/012	SADDLE	1	
—	1027	Seat Pillar Tube	1	
6/37	1045	Fork bolt	1	
6/38	61/302/1	Nut	1	
6/39	1198	Plain bush	1	
6/40	1167	Grooved bush	1	
6/41	1112	Bridge	1	
6/42	1168	Lever	1	
6/43	20/002/1	Bolt lever	1	
—	61/341/1	Nut—lever bolt	1	
6/44	1110	Plunger	1	
6/45	1049	Spring	1	
6/46	52/255/1	Screw—spring fixing	2	
6/47	104/210	Washer—spring fixing	2	



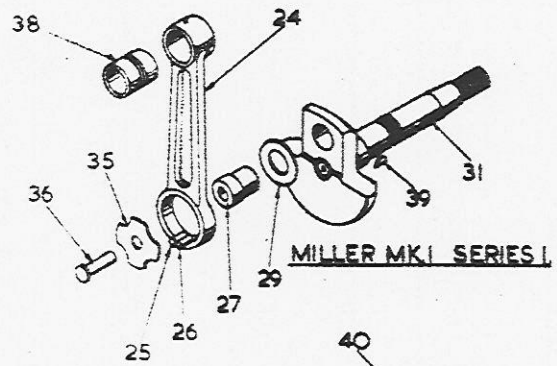
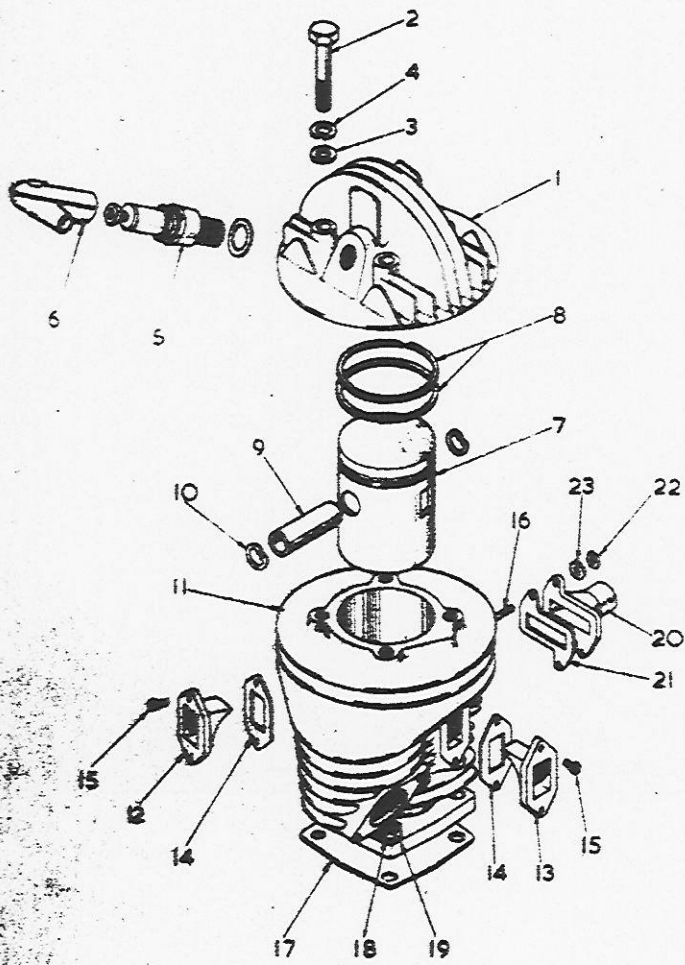
WICO-PACY HEADLAMP.

PLATE 7.

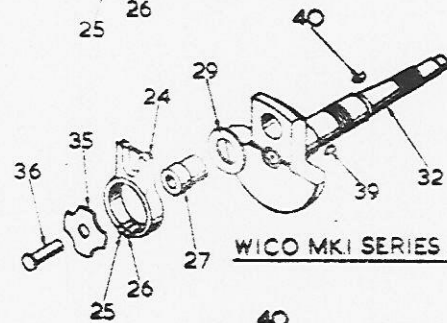


LUCAS' HEADLAMP.

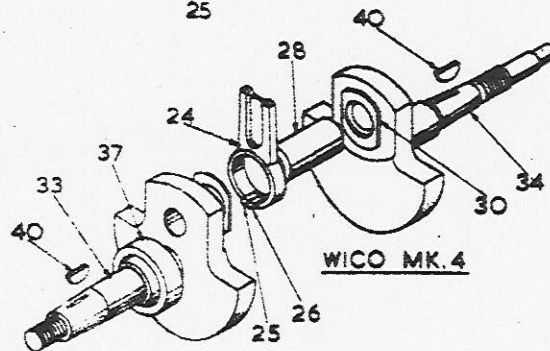
PLATE 8.



MILLER MK1 SERIES 1



WICO MK1 SERIES 2



WICO MK.4

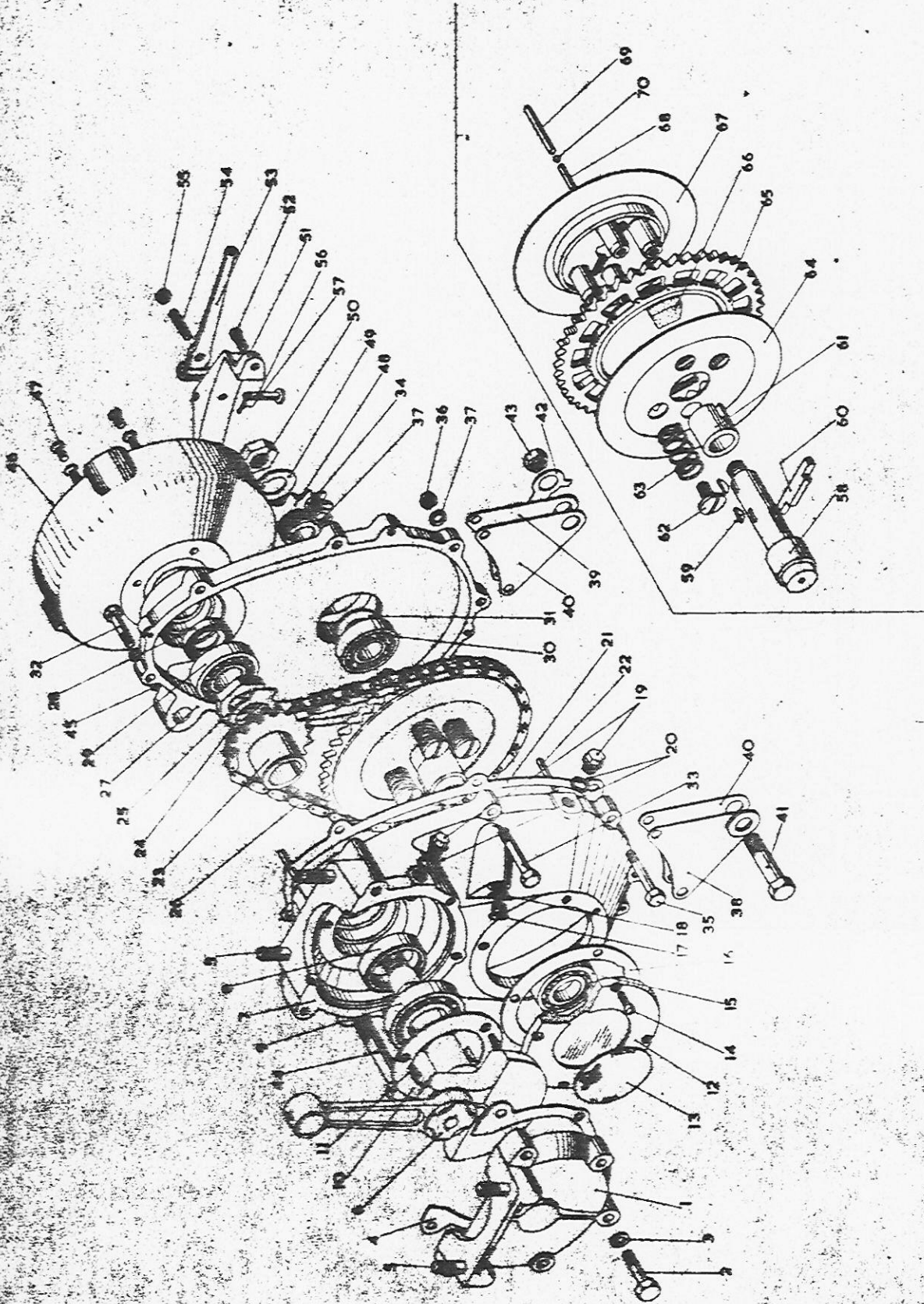
CYLINDER AND CRANKSHAFTS.

CYLINDER — PISTONS — CRANKSHAFT

PLATE 9

Ref. No.	B.E.S. Part No.	DESCRIPTION	No. of	REMARKS	
9/1	904	CYLINDER HEAD	1	Mk. 1 & 2.	1-7-0
9/1	892	Cylinder Head	1	Mk. 4.	1-7-0
9/2	901	Bolt—cylinder head	4		1-0
9/3	101/305/1	Washer, plain, cylinder Head bolt	4		1
9/4	102/105	Washer, spring—cylinder Head bolt	4		5-0
9/5	819/009	Spark plug & washer	1		3-0
9/6	819/014	Suppressor	1		1-14-6
—	905/006	PISTON ASSEMBLY, includes:—	1	Standard.	1-5-0
9/7	823	Piston (bare)	1	Standard.	3-0
9/8	824	Rings	2	Standard.	3-6
9/9	826	Gudgeon pin	1		10
9/10	828	Circlips	2		1-14-6
—	906/009	Piston assembly includes:—	1	.010" oversize.	1-5-0
9/7	823/10	Piston (bare)	1	.010" oversize.	3-0
9/8	824/10	Rings	2	.010" oversize.	3-6
9/9	826	Gudgeon pin	1		10
9/10	828	Circlip	2		1-14-6
—	906/010	Piston assembly, includes:—	1	.020" oversize.	1-5-0
9/7	823/20	Piston (bare)	1	.020" oversize.	3-0
9/8	824/20	Rings	2	.020" oversize.	3-6
9/9	826	Gudgeon pin	1		10
9/10	828	Circlip	2		1-14-6
—	905/011	CYLINDER BARREL, w/fixed fittings, incl. :—	1	Standard.	4-3-0
9/11	891	Cylinder Barrel (bare)	1		4-0-0
9/12	895	Transfer block, top	1		1-0
9/13	894	Transfer block bottom	1		1-0
9/14	896	Gasket, transfer block	2		2
9/15	54/254/1	Screw—transfer block	4		
9/16	899	Stud, carburetter	2		
9/11	891/10	Cylinder barrel (bare)	1	.010" oversize.	3-15
9/11	891/20	Cylinder barrel (bare)	1	.020" oversize.	
9/17	890 893	Gasket, cylinder Barrel	1		
9/18	900	Nut, cylinder stud	4		
9/19	102/105	Washer—cylinder stud	4		
9/20	897	STUB—CARBURETTER	1	Mk. 1 & 2.	
9/20	6822	Stub, carburetter	1	Mk. 4.	
9/21	898	Gasket, carburetter stub	1		
9/22	81/801/1	Nut—carburetter stub	2		
9/22	804/214	Lockwasher—carburetter stub nut	2		
—	905/012	CRANKSHAFT ASSY. (Miller)	1	Mk.1 Series 1. (with Miller Magneto.)	5-17-0
—	905/013	Crankshaft Assy. (Wico)	1	Mk.1 Series 2. & Mk. 2 (With Wico Magneto.)	3-0-0
—	905/006	Crankshaft Assy. (Wico)	1	Mk. 4.	8-15-0
9/24	834	Connecting rod	1		1-12-0
9/25	264/308	Steel rollers	8		
9/26	264/308	Bronze rollers	8		
9/27	831	Crankpin	1	Mk. 1 & 2.	
9/28	830	Crankpin	1	Mk. 4.	
9/29	837	Cheek Washer	1	Mk. 1 & 2.	
9/30	838	Cheek Washer	2	Mk. 4.	
9/31	830	Crankshaft (Miller)	1	Mk. 1. Series 1.	3-0
9/32	812	Crankshaft (Wico)	1	Mk. 1. Series 2 & Mk. 2.	3-15
9/33	830	Crankshaft, Drive side	1	Mk. 4.	2-10
9/34	830	Crankshaft, Magneto side	1	Mk. 4.	2-10
9/35	892	Retaining washer	1	Mk. 1 & 2.	2
9/36	832	Rivet	1	Mk. 1 & 2.	1
9/37	800/008	Taper bearings, cups & cones	2	Mk. 4.	14
9/38	838	Small end bush	1		5
9/39	112/030	Key, No. 3, Woodruff	1		
9/40	112/060	Key, No. 3, Woodruff	1		

NOTE—There is no Service Exchange system in operation for Crankshaft Assemblies, but providing these are in reasonable condition, they will be accepted by the works for re-conditioning



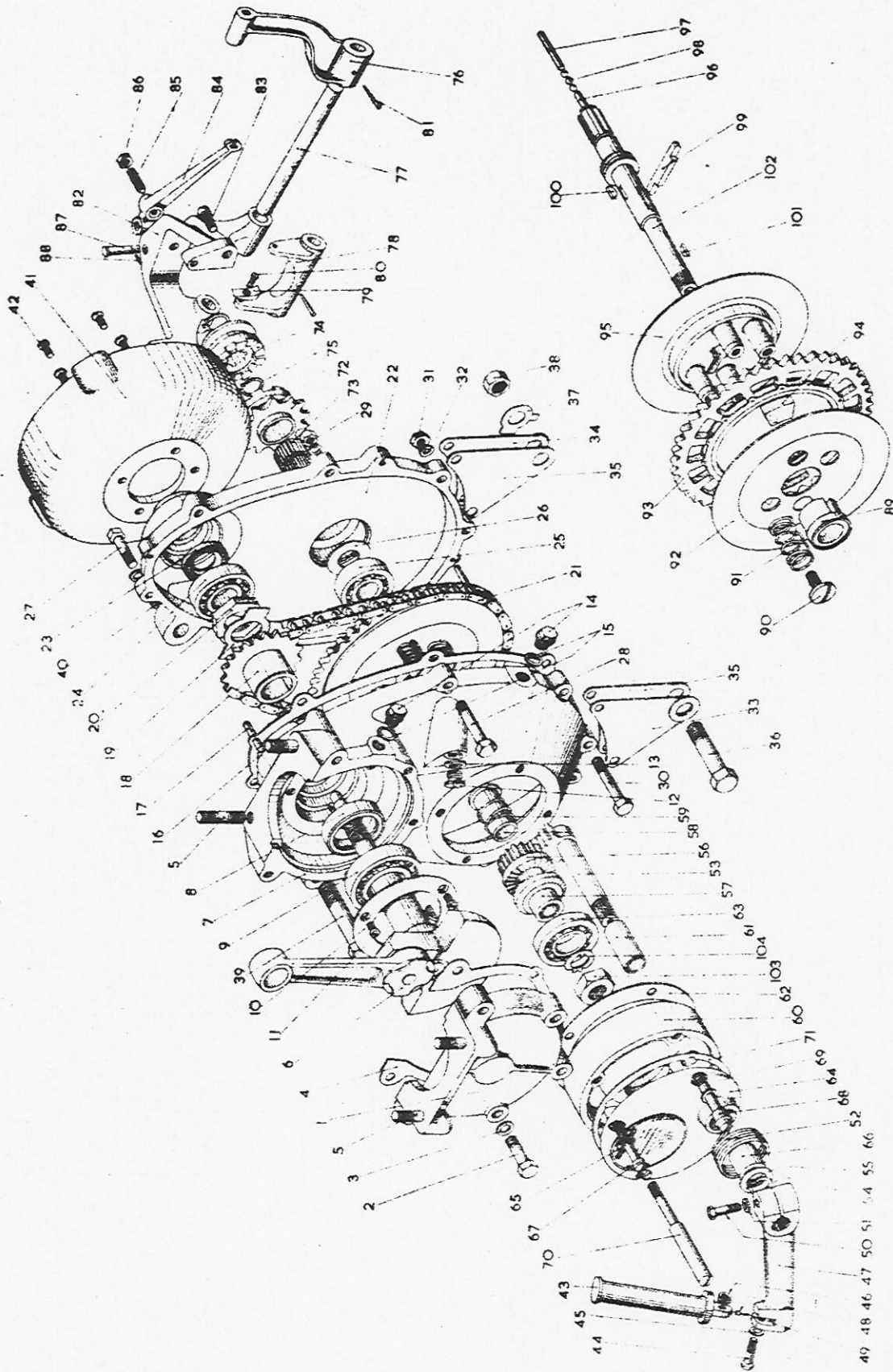
ENGINE MARK I.

ENGINE & CLUTCH. MARK 1. Series 1. & 2.

PLATE 10

Plate Ref. Lxb.	B.E.S. Part No.	DESCRIPTION	No. off	REMARKS
10/1	876	CRANKCASE COVER	1	
10/2	12/314/1	Bolt—Crankcase cover	5	
10/3	101/304/1	Washer—Crankcase cover bolt	5	
10/4	877	Gasket—Crankcase cover	1	
10/5	892	Stud, cylinder	4	
10/6		CRANKSHAFT ASSY.		See plate 9. P 4
10/7	822	CHAINCASE, CRANKCASE HALF	1	
10/8	311/015	Oil Seal	1	
10/9	301/010	Ball Bearing	1	
10/10	860	Retaining plate—bearing	1	
10/11	58/254	Screw, retaining plate	3	
10/12	919	Bearing cap, includes :-	1	
10/13	7170/2	Lubrication plate	1	
10/14	874	Screw, bearing cap	4	
10/15	301/006	Bearing, bearing cap	1	
10/16	875	Gasket, bearing cap	1	
10/17	890	Filler plug	1	
10/18	910	Washer for filler plug	1	
10/19	889	Drain plug	2	
10/20	879	Washer, drain plug	2	
10/21	110/214	Lower chaincase	1	
10/22	870	CRANKSHAFT DRIVE SPROCKET	1	
10/23	871	Tab Washer, Drive Sprocket	1	
10/24	872	Nut—Drive Sprocket	1	
10/25	872	Nut—Drive Sprocket	1	
10/26	503/034	PRIMARY CHAIN	1	
10/27	821	CHAINCASE COVER (Miller Magneto)	1	Mk. 1. Series 1.
10/27	916	Chaincase cover (Wico magneto)	1	Mk. 1. Series 2.
10/28	311/007	Oil Seal crankshaft	1	
10/29	301/006	Bearing—crankshaft	1	
10/30	301/004	Bearing, Clutch shaft	1	
10/31	862	Shim, Clutch shaft bearing	1	
10/32	12/314/1	Bolt, chaincase	2	
10/33	12/322/1	Bolt, chaincase	3	
10/34	61/001/1	Nut—chaincase bolt	3	
10/35	12/324/1	Bolt, engine plates	2	
10/36	61/321/1	Nut—engine plates bolts	2	
10/37	101/304/1	Washer, chaincase bolts	7	
10/38	1244	ENGINE MOUNTING PLATE, outer R.H.	1	
10/39	1248	Engine Mounting plate, outer L.H.	1	
10/40	1195.P.	Engine Mounting plate inner	2	
10/41	20/003/1	Bolt—Frame/Mounting plate	1	
10/42	1660	Tab Washer—Mounting plate bolt	1	
10/43	61/004/1	Nut, Mounting plate bolt	1	
10/44	20/004/1	Bolt—top engine fixing	2	
10/45	61/304/1	Nut—top engine fixing bolt	2	
10/46	915	MAGNETO ADAPTOR	1	For Wico Mag. Only
10/47	53/254	Fixing screw—magneto adaptor	4	For Wico Mag. Only.
10/48	882	Final Drive Sprocket	1	
10/49	857	Tab washer—final drive sprocket	1	
10/50	854	Nut—final drive sprocket	1	
		CLUTCH		
10/51	884	Clutch bridge	1	
10/52	874	Screw—clutch bridge	2	
10/53	887	Operating lever—clutch	1	
10/54	888	Adjusting screw—operating lever	1	
10/55	61/041	Nut—adjusting screw	1	
10/56	885	Fulcrum pin—operating lever	1	
10/57	99/006	Split pin—fulcrum pin	1	
10/58	841	Clutch Shaft	1	
10/59	112/080	Woodruff Key, No. 30	2	
10/60	853	Cross Piece	1	
10/61	852	Distance bush	1	
10/62	851	Screw—clutch spring	4	
10/63	850	Spring, clutch	4	
10/64	849	Sliding Clutch Plate	1	
10/65	846	SPROCKET ASSY, includes :-	1	Service exchange facility
10/66	608/058	Corks	15	
10/67	842	Driven clutch plate	1	
10/68	856	Push rod, short	1	
10/69	855	Push rod, long	1	
10/70	304/007	Ball, 3/16" dia.	1	

15-4
4
3
1-3
2-0-0
4-5
17-8
1-8
3
7-4
NLA
1-6
12-8
4
1-1
2-
1-0-
1-
12-
1-8-
1-8-
4-
5
11
13-
1-0-
10-
1-
8-
1-0-
2-
3-
1-
1-
13-
19-
SRT: 1
1-15



ENGINE MARK 2.

PLATE II.

ENGINE & CLUTCH. MARK 2.

PLATE 11

Plate No.	B.E.S. Part No.	DESCRIPTION	No. off	REMARKS
11/1	876	CRANKCASE COVER	1	
11/2	12/314/1	Bolt—Crankcase cover	5	
11/3	101/304/1	Washer—Crankcase cover bolt	5	
11/4	877	Gasket—Crankcase cover	1	
11/5	892	Stud—cylinder	4	
11/6		CRANKSHAFT ASSY.	—	See plate 9. P. 11.
11/7	822	CHAINCASE, CRANKCASE HALF	1	
11/8	311,015	Oil Seal	1	
11/9	301,010	Ball Bearing	1	
11/10	860	Retaining Plate	1	
11/11	53/254	Screw—retaining plate	3	
11/12	890	Filler plug	1	
11/13	910	Washer—filler plug	1	
11/14	889	Drain plug	1	
11/15	883	Washer, drain plug	2	
11/16	879	Gasket—chaincase	1	
11/17	110/214	Dowel—chaincase	2	
11/18	870	CRANKSHAFT DRIVE SPROCKET	1	
11/19	871	Tab washer—drive sprocket	1	
11/20	872	Nut—drive sprocket	1	
11/21	503/034	PRIMARY CHAIN	1	
11/22	916	CHAINCASE COVER	1	
11/23	311/007	Oil Seal, Crankshaft	1	
11/24	301/006	Bearing—Crankshaft	1	
11/25	301/004	Bearing—Clutch shaft	1	
11/26	862	Shim—Clutch shaft bearing	1	
11/27	12/314/1	Bolt—chaincase	2	
11/28	12/322/1	Bolt—chaincase	3	
11/29	61/001/1	Nut—chaincase bolt	3	
11/30	12/324/1	Bolt—Engine plates	2	
11/31	61/321/1	Nut—Engine plates bolts	2	
11/32	101/304/1	Washer—chaincase bolts	7	
11/33	1244	ENGINE MOUNTING PLATE, outer R.H.	1	
11/34	1243	Engine Mounting Plate, outer L.H.	1	
11/35	1195.P.	Engine Mounting Plate, inner	2	
11/36	20/003/1	Bolt—Frame/Mounting plate	1	
11/37	1660	Tab washer—mounting plate bolt	1	
11/38	61/004/1	Nut—mounting plate bolt	1	
11/39	20/004/1	Bolt—Top engine fixing	2	
11/40	61/304/1	Nut—Top engine fixing bolt	2	
11/41	915	MAGNETO ADAPTOR	1	
11/42	53/254	Screw—magneto adaptor	4	
		KICKSTARTER PEDAL COMPLETE, incl.—	1	
11/43	1065	Pedal	1	
11/44	1226	Bolt—pedal	1	
11/45	101/304/1	Washer—pedal bolt	1	
11/46	105/011	Thackery washer	1	
11/47	1064	Lever	1	
11/48	1078	Plunger	1	
11/49	1082	Spring—plunger	1	
11/50	12/312/1	Pinch bolt—lever	1	
11/51	101/304/1	Washer—lever pinch bolt	1	
11/52	1074	Spring—kickstarter	1	
11/53	1056	Quadrant—kickstarter	1	
11/54	306/507	Circlip—kickstarter quadrant	1	
11/55	1943	Washer—kickstarter quadrant	1	
11/56	1054	Pinion—kickstarter quadrant	1	
11/57	1055	Ratchet Boss—kickstarter pinion	1	
11/58	1052	Bush—kickstarter pinion	1	
11/59	1077	Spring—ratchet boss	1	

15-4
4
1
3
1-3
2-0-0
4-5
17-3
1-8
5
1-6
2
2-6
2
3
0-0
6
1-0
12-6
1-8-4
4-5
12-3
15-9
6
4
6
4
6
6
1
1-0
1-0
9
11
2
5
11
8
13-0
5
9-3
8
1
2
1-1-6
9
9
3
1
1-0
1-4-10
9
4
13-4
12-9
2-3
10

12 15

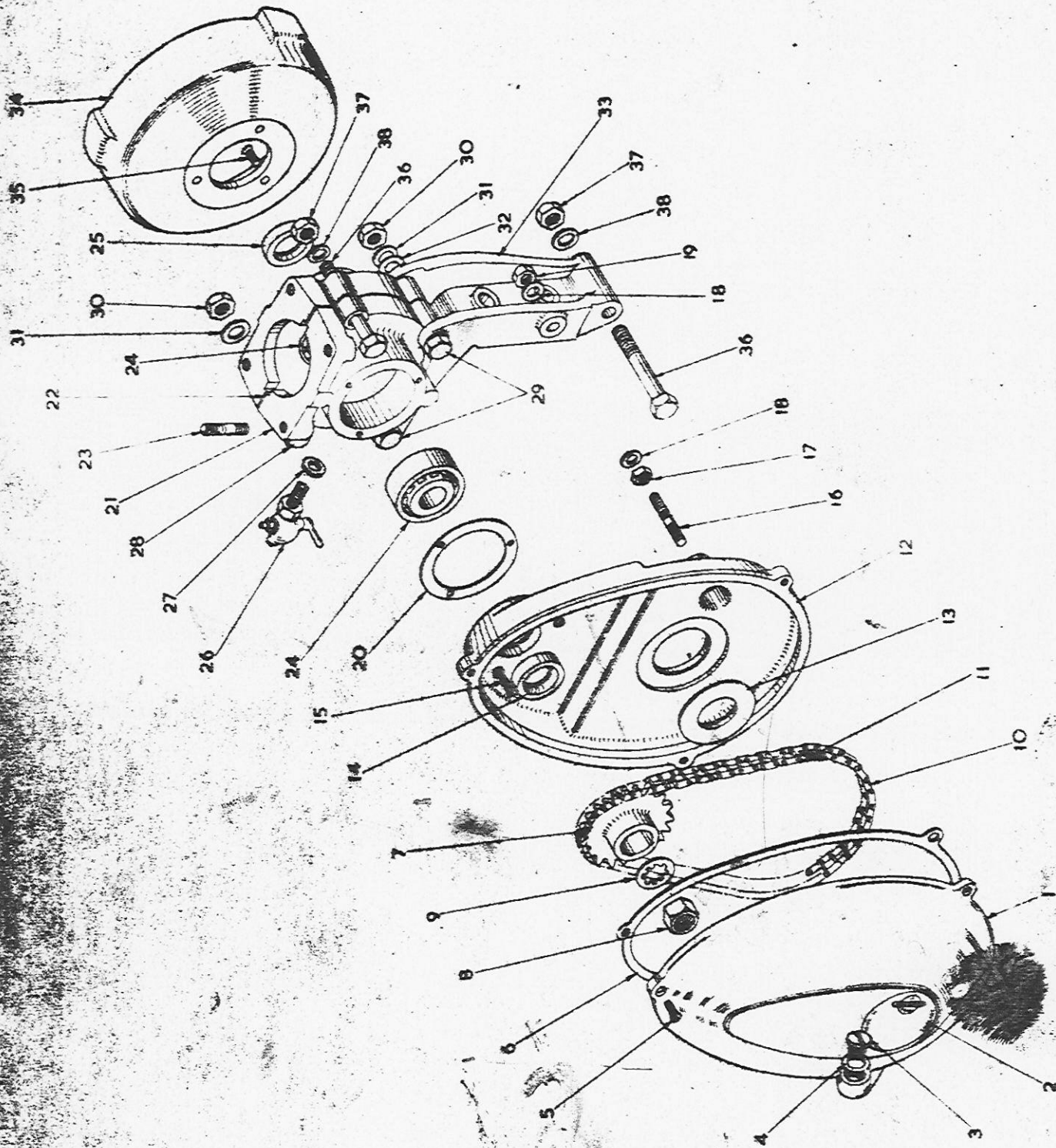
ENGINE & CLUTCH. MARK 2.

PLATE 11

P.C.

Plate No.	B.E.S. Part No.	DESCRIPTION	No. off	REMARKS
11/60	905/014	KICKSTART HOUSING—includes:—	1	
11/61	1061	Bush	1	
11/62	875	Gasket—kickstart housing	1	
11/63	301/006	Ball Bearing—kickstart housing	1	
11/64	905/015	COVER—KICKSTART HOUSING, includes:—	1	
11/65	7170/2	Lubrication plate	1	
11/66	1062	Bush	1	
11/67	1059	Fixing screw—K/S. Cover	2	
11/68	1060	Spring screw—K S. Cover	1	
11/69	100/003	Lock washer—spring screw	1	
11/70	1042	Stop screw—K/S. Cover	1	
11/71	1003	Gasket—K/S. housing cover	1	
11/72	1078	FINAL DRIVE SPROCKET	1	
11/73	304/506	Needle rollers—final drive sprocket	22	
11/74	1053	Sliding dog—final drive sprocket	1	
11/75	306/508	Circlips—final drive sprocket	2	
11/76	1147	OPERATING LEVER—FREE ENGINE MECHANISM	1	
11/77	1086	Spindle—Free Engine Mechanism	1	
11/78	1067	Operating fork—Free Engine Mechanism, incl:—	1	
11/79	1926	Shoes	2	
11/80	1009	Shoe pin	2	
11/81	167/538	Taper pin	2	
CLUTCH				
11/82	1076	Clutch bridge	1	
11/83	874	Screw—clutch bridge	3	
11/84	1083	Operating lever—clutch	1	
11/85	888	Adjusting screw—operating lever	1	
11/86	61/041	Nut—adjusting screw	1	
11/87	114/007	Fulcrum pin—operating lever	1	
11/88	99/006	Split pin—fulcrum pin	1	
11/89	1079	Distance bush	1	
11/90	851	Screw—clutch spring	4	
11/91	850	Spring—clutch	4	
11/92	849	Sliding clutch plate	1	
11/93	846	SPROCKET ASSY. includes:—	1	Service exchange facility.
11/94	608/058	Corks	15	
11/95	842	Driven Clutch plate	1	
11/96	856	Push rod, short	1	
11/97	1080	Push rod, long	1	
11/98	304/007	Balls. 3/16" dia.	3	
11/99	853	Cross piece	1	
11/100	112/030	Woodruff Key No. 30	1	
11/101	112/020	Woodruff Key. No. 20	1	
11/102	1075	CLUTCH SHAFT	1	
11/103	854	Nut—Clutch shaft	1	
11/104	3472	Tab washer—Clutch shaft nut	1	

12-6
3-0
4
12-3
6-9
9
2-7
9
7
1
1-0
2
1-2-6
2
10-3
7
12-10
4-6
1-2-4
3-2
6
5
1-1-0
1-0
7-10
9
6
5
2
2-3
1-3
1-0
13-8
19-1
1-9
1-15-0
7
9
1
2-6
4
4
2-2-0
11
2



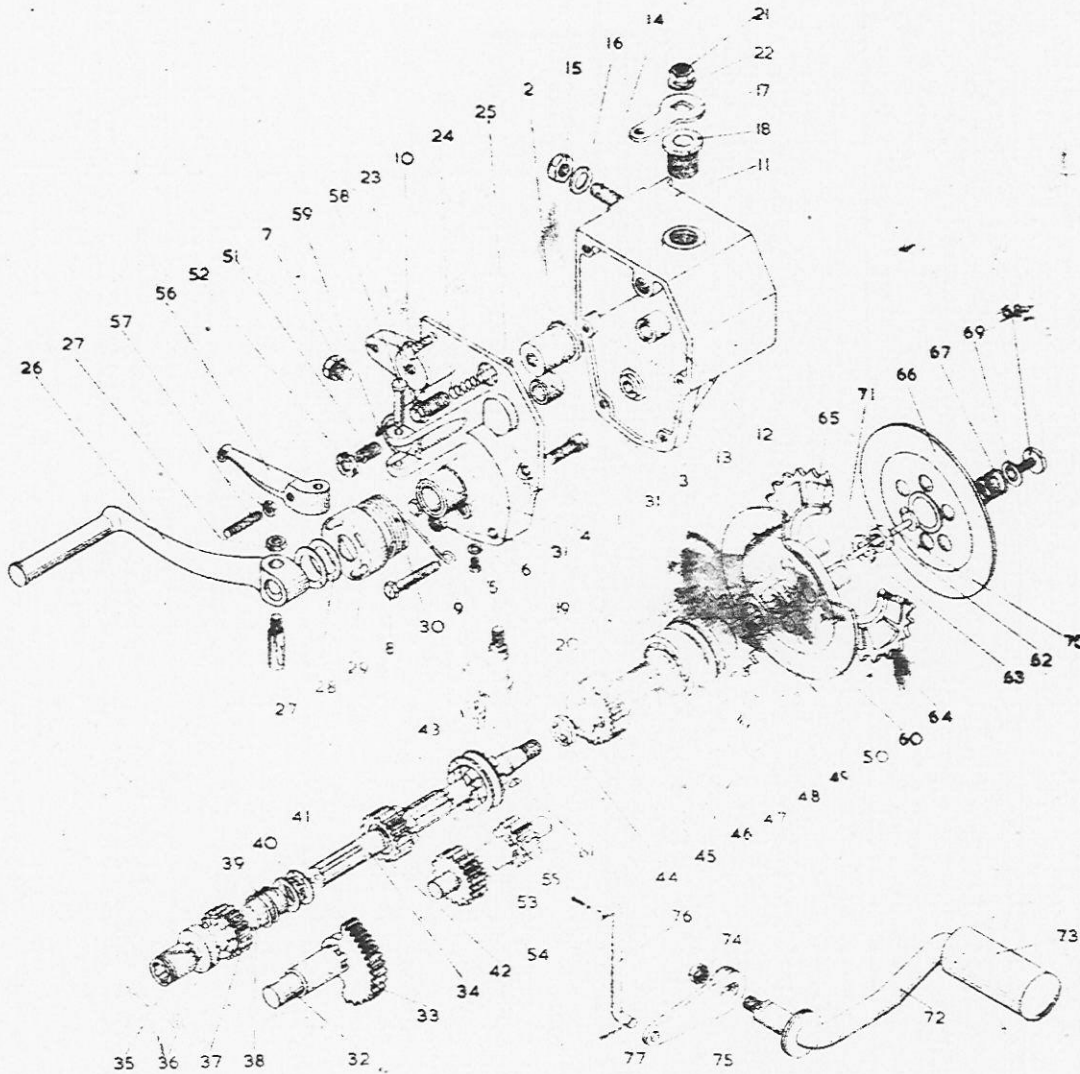
CRANKCASE—MK. 4 ENGINE.

CRANKCASE—ENGINE MARK 4.

PLATE 12

Plate Ref. No.	B.E.S. Part No.	DESCRIPTION	No. off	REMARKS
12/1	905/004	CHAINCASE COVER, includes:—	1	
12/2	7170/4	Lubrication plate	1	
12/3	890	Filler plug	1	
12/4	105/600	Washer—filter plug	1	
12/5	35/206/1	Screw—Chaincase cover	3	
12/6	6829	Gasket—Chaincase cover	1	
12/7	6825	ENGINE SPROCKET	1	
12/8	61/005	Nut—Engine sprocket	1	
12/9	104/224	Washer—Engine Sprocket	1	
12/10	503/012	PRIMARY CHAIN, includes:—	1	
12/11	503/013	Connecting link	1	
12/12	7352	CHAINCASE BACK PLATE	1	
12/13	7351	Oil retainer	1	
12/14	311/007	Oil Seal	1	
12/15	35/206/1	Screw—back plate fixing	3	
12/16	6841	Stud—back plate fixing	1	
12/17	61/041/1	Locknut—back plate fixing stud	1	
12/18	101/804/1	Washer—back plate fixing stud	2	
12/19	61/301/1	Nut—back plate fixing stud	1	
12/20	6827/1	Gasket—back plate	A/R	
12/21	905/003	CRANKCASE, includes:—	1	
12/22	6817/2	Gasket	1	
12/23	892	Stud—cylinder	4	
12/24	300/003	Roller bearings	2	
12/25	311/007	Oil Seal—Magneto side	1	
12/26	504/001	Drain tap	1	
12/27	883	Washer—drain tap	1	
12/28	12/477/4	Bolt—Crankcase halves	1	
12/29	12/482/4	Bolt—Crankcase/Mounting Bracket	2	
12/30	61/003/4	Nut—Crankcase bolts	3	
12/31	101/806/4	Washer—Crankcase	7	
			A/R	
		MOUNTING BRACKET	1	
	6820	MAGNETO ADAPTOR PLATE	1	
12/35	35/206/1	Fixing screw—adaptor plate	1	
12/36	13/480/4	BOLT—FRAME FIXING	2	
12/37	61/003/4	Nut—Frame fixing bolt	2	
12/38	104/220	Lockwasher—Frame fixing bolt	1	

1-3-6
8
1-6
2
3
1-5
-5-1
6
2
12-6
4
1-13-6
6
4-5
2
8
6
2
6
30
3 2-6
30
1-3
14-8
4-3
5-6
2
10
6
4
2
3
1-2-8
13-2
2
3
4
2



GEARBOX—MARK 4 ENGINE.

PLATE 13.

GEARBOX— MARK 4 ENGINE.

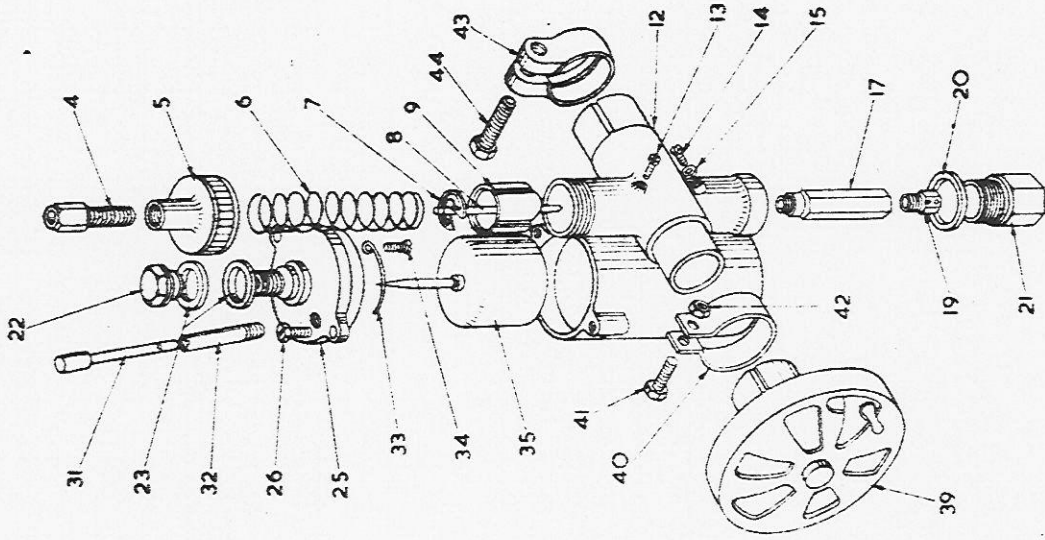
PLATE 13

Plate Ref. No.	B.E.S. Part No.	DESCRIPTION	No. of	Albion Part No.	Remarks
13/1	608/002	COVER, GEAR BOX. includes—	1	CJ.1.	19-5
13/2	608/007	Bush, mainshaft	1	CI.31.	4-3
13/3	608/008	Bush, layshaft	1	BJ.6.	1-9
13/4	608/038	Bush, kickstarter shaft	1	CJ.4.	2-10
13/5	608/106	Plug, Oil Level	1	A.24.	10
13/6	608/107	Washer, Oil Level Plug	1	A.24.F.	1
13/7	608/023	OIL FILLER PLUG	1	BJ.23.	1-0
13/8	608/019/1	Bolt—Cover/Body 1.3/16" lg.	1	CI.16.A.	10
13/9	608/019/2	Bolt—Cover/Body. 1" lg.	2	CI.16.B.	10
13/10	608/019/3	Bolt—Cover/Body. 9/16" lg.	2	CI.16.C.	10
13/11	608/003	BODY, GEAR BOX, includes:—	1	CJ.2.	1-5-0
13/12	608/008	Bush, layshaft	1	BJ.6.	1-9
13/13	608/037	Bush, Kickstarter shaft	1	CJ.3.	7-6
13/14	608/025	Studs, body fixing	2	A.9.	1-11
13/15	608/065	Nuts—body fixing studs	2		9
13/16	608/066	Washer—body fixing studs	2		2

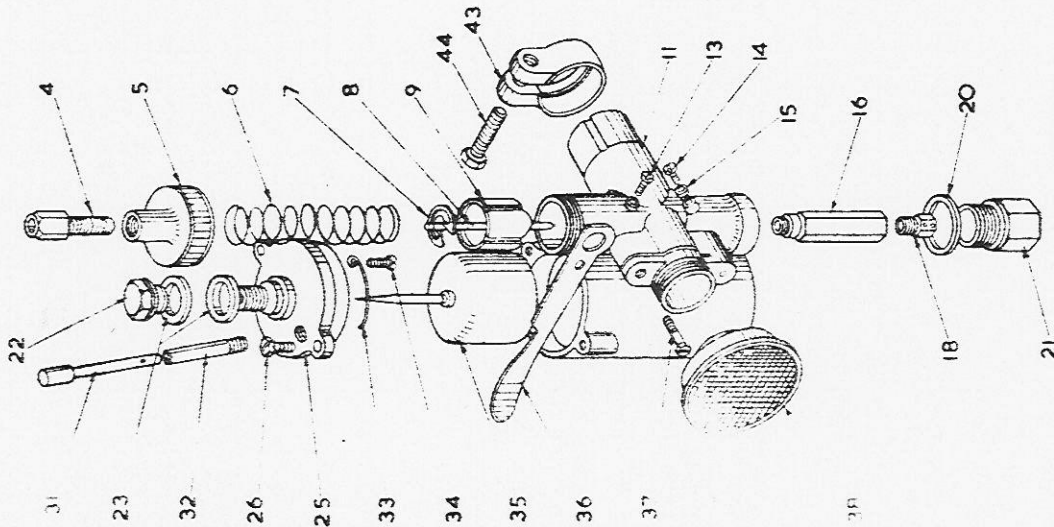
GEARBOX—MARK 4 ENGINE

PLATE 13

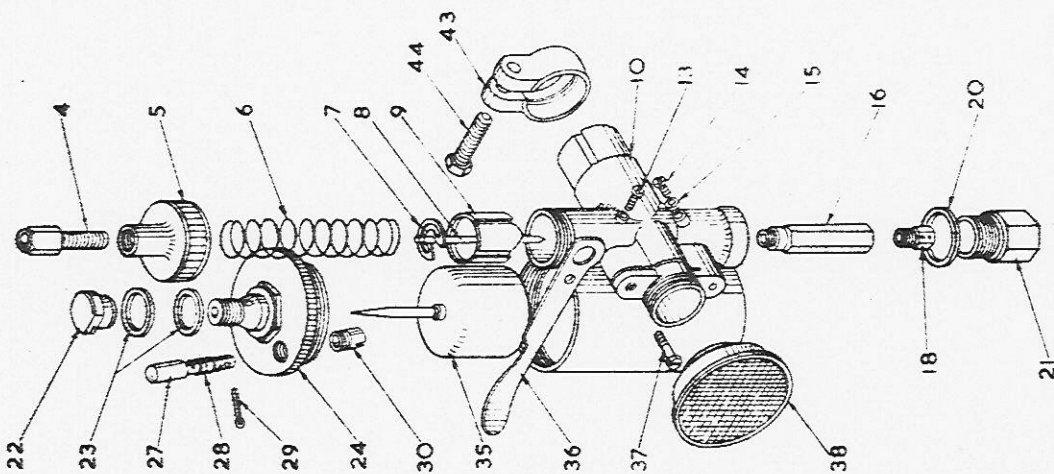
Ref. No.	E.E.S. Part No.	DESCRIPTION	No. of	Abion Part No.	Remarks
13/17	608/000	OUTSIDE OPERATOR LEVER	1	EJ.47.	
13/18	608/014	Bush, operator	1	BJ.18.	
13/19	608/008	Inside operator	1	BJ.4/1.	
13/20	608/006	Toggle, inside operator	1	BJ.4.A.	
13/21	608/003	Nut—inside operator	1		
13/22	608/064	Washer—inside operator	1		
13/23	6041	SPRING BOX	1	BJ.16.	
13/24	6036	Spring, Plunger	1	BJ.17.	
13/25	6040	Plunger	1	BJ.18.	
13/26	608/042	KICKSTARTER CRANK	1	CJ.8.	
13/27	608/047	Cotter pin w/nut & washer	1	CL.15.	
13/28	608/108	Washer—K/S. Crank	A/E		
13/29	608/040	Cover—K/S. Spring	1	CJ.6.	
13/30	608/041	Spring—K/S.	1	CJ.7.	
13/31	608/046	Stop pin & nut—K/S. Segment	1	CI.9.	
13/32	608/039	Shaft—K/S. Segment	1	CJ.5.	
13/33	608/012	Segment, K/S.	1	CL.8A.	
13/34	608/004	MAINSHAFT	1	CL.3.	
13/35	608/064	Splined Bearing	1	EL.44.	
13/36	608/052	Ratchet Lockring	1	FL.16.	
13/37	608/044	Ratchet pinion	1	CL.6A.	
13/38	608/053	Distance bush, ratchet	1	FL.18.	
13/39	608/043	Ratchet spring	1	CL.5.	
13/40	608/049	Pen steel washer	1	CL.25.	
13/41	608/048	Split Ring	1	CL.24.	
13/42	608/028	Dog Clutch pinion	1	A.16.	
13/43	608/927	Dog Clutch	1	A.15.	
13/44	608/036	Pressure washer	1	CL.29.	
13/45	608/035	High gear sleeve pinion	1	CL.20.	
13/46	608/024	Ball race	1	A.5.	
13/47	608/031	Felt Washer retainer	1	A.36.	
13/48	608/030	Felt washer	1	A.35.	
13/49	608/013	Final Drive Sprocket, 14.T	1	BJ.42.A/14	
13/50	608/026	Locknut	1	A.14.	
13/51	608/059	Adjusting screw—mainshaft	1	CL.32.	
13/52	608/051	Locknut—adjusting screw	1	CL.33.	
13/53	608/011	Layshaft	1	BJ.9.	
13/54	608/010	Low gear pinion	1	BJ.3.	
13/55	608/013	High gear pinion	1	BJ.10.	
CLUTCH					
13/56	608/021	CLUTCH LEVER	1	BJ.21.	
13/57	608/027	Adjusting screw & nut—clutch lever	1	EL.42.	
13/58	608/023	Petram pin—clutch lever	1	BJ.15.	
13/59	608/025	Split pin, Petram pin	1		
13/60	608/026	Back plate assy.	1	RB.22.	
13/61	608/028	Key—back plate assy.	1	A.21.	
13/62	608/029	Locknut—back plate assy.	1	HM.55.	
13/63	608/032	Spring washer—locknut	1	HM.57.	
13/64	608/034	SPROCKET ASSY. includes—	1	R.B.23.	Service exchange facility see 257.
13/65	608/035	Corks	16	RB.40.	
13/66	608/036	Mount plate & thimble	1	RB.24.	
13/67	608/037	Springs, clutch	6	RB.36.	
13/68	608/038	Screw, clutch	6	FL.20.	
13/69	608/039	Washer—clutch screw	6	FL.79.	
13/70	608/041	Push rod end piece	1	HM.56.	
13/71	608/042	Push rod	1	CL.17.	
GEAR CHANGE					
13/72	608/1	FOOT LEVER, includes—	1		
13/73	118/002	Rubber	1		
13/74	61/022/1	Nut—Footchange lever	1		
13/75	6022	Arm—gear change	1		
13/76	6023	Roel—gear change	1		
13/77	99/006	Split pins	2		



③ 359/001 D



② 359/001 B



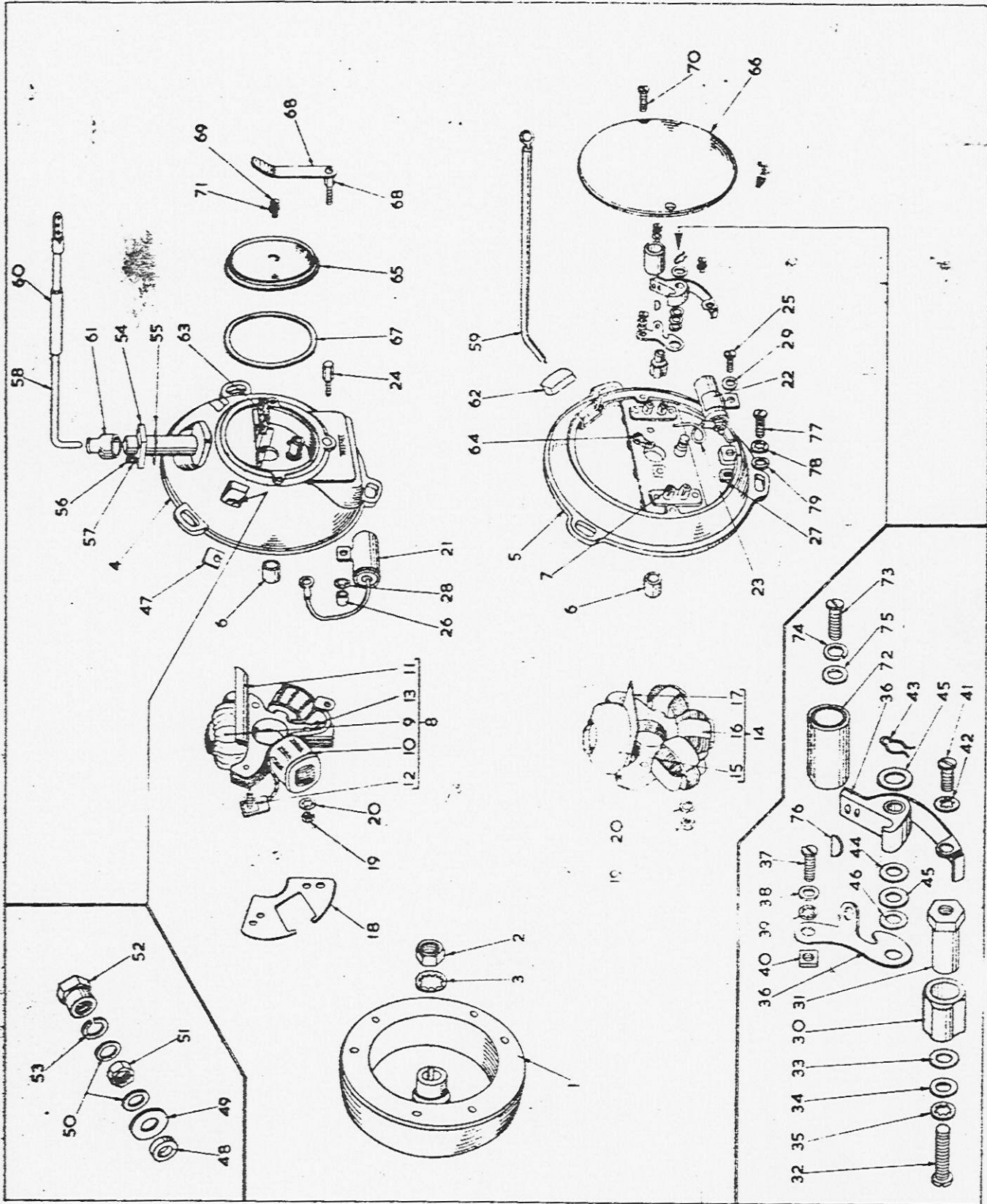
① 259/001 B

AMAL CARBURETTERS.

CARBURETTER.

PLATE 14

Plate No.	B.E.S. Part No.	DESCRIPTION	No. of	Amal Part No.	Remarks	
14/1	600/137	CARBURETTER c/w AIR FILTER	1	259/001B.	Mk. 1 & 2. Obsolete.	2-17-6
14/2	600/138	Carburetter c/w Air filter	1	359/001B.	Mk. 1 & 2.	2-17-6
14/2	600/054	Carburetter c/w Air filter	1	359/001D.	Mk. 4.	2-17-6
14/4	600/055	Cable Adjuster	1	52/068.		9
14/5	600/056	Mixing Chamber Top	1	159/052.		3-3
14/6	600/057	Throttle Valve Spring	1	52/057.		4
14/7	600/019	Needle clip	1	161/054.		3
14/8	600/042	Jet Needle	1	259/070.		3-0
14/9	600/058	THROTTLE VALVE. No. 8	1	259/072.		5-6
14/10	600/135	MIXING CHAMBER BODY	1	259/056.	Mk. 1 & 2. Obsolete.	1-8-0
14/11	600/136	Mixing Chamber body	1	359/056.	Mk. 1 & 2.	1-8-0
14/12	600/059	Mixing Chamber body	1	359/001D.	Mk. 4.	1-8-0
14/13	600/023	Valve Location Screw	1	52/060.		2
14/14	600/021	Plug Screw	1	23/180.		3
14/15	600/027	Washer—Plug Screw	1	116/147.		1
14/16	600/099	NEEDLE JET No. 107	1	259/069.	Mk. 1 & 2.	3-6
14/17	600/041	Needle Jet. No. 109	1	259/069.	Mk. 4.	3-6
14/18	600/096	MAIN JET. No. 55	1	4/42.	Mk. 1 & 2.	1-3
14/19	600/097	Main Jet. No. 45	1	4/042.	Mk. 4.	1-3
14/20	600/022	Jet Plug Washer	1	52/056.		2
14/21	600/043	Jet Plug	1	259/071.		2-3
14/22	600/018	Banjo Nut	1	22/041.		1-0
14/23	600/028	Washer—Banjo nut	1	22/042.		2
14/24	600/014	FLOAT CHAMBER COVER	1	15.780.	Mk. 1 & 2. Obsolete.	5-6
14/25	600/051	Float Chamber Cover	1	352/217.	Mk. 1, 2 & 4	5-6
14/26	600/049	Screw—Float Chamber Cover	2	352/209.		2
14/27	600/012	Tickler	1	14/209.	For	1-0
14/28	600/010	Spring—Tickler	1	14/032.	Carburetter	2
14/29	600/011	Cotter—Tickler	1	14/033.	Type	2
14/30	600/025	Bush—Tickler	1	52/081.	259/001B.	1-0
14/31	600/050	Tickler	1	352/212.	For	1-2
14/32	600/046	Guide—Tickler	1	352/204.	Carburetter	1-3
14/33	600/048	Spring—Tickler	1	352/208.	359/001B. &	2
14/34	600/047	Screw—Tickler spring	1	352/207.	359/001D.	2
14/35	600/024	FLOAT AND NEEDLE	1	52/064 & 82.		5-6
14/36	1175	Choke Lever	1		Mk. 1 & 2.	4
14/37	600/134	Screw—Choke Lever	1	159/055.		3
14/38	600/133	AIR FILTER	1	52/072.	Mk. 1 & 2.	3-3
14/39	600/032	Air Filter	1	224/100.	Mk. 4.	12-9
14/40	600/029	Clip—Air Filter	1	224/005.		2-3
14/41	600/030	Screw—Air Filter clip	1	224/006.		5
14/42	600/031	Nut—Air Filter clip screw	1	224/007.		2
14/43	600/026	Outlet clip	1	52/088.		3-0
14/44	600/006	Screw—Outlet Clip	1	4/048.		10



WICO-PACY MAGNETOS.

WICO-PACY MAGNETOS

PLATE 15

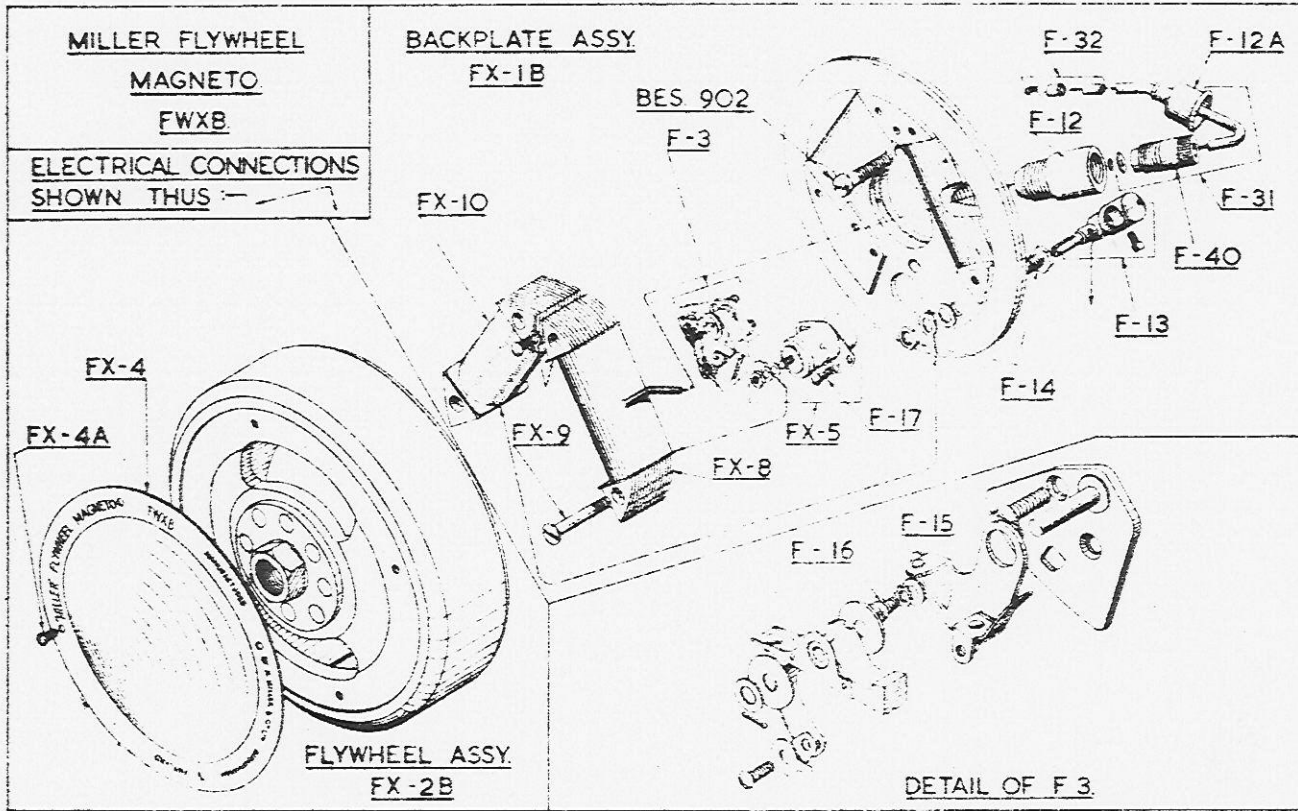
Plate Ref. No.	B.E.S. Part No.	DESCRIPTION	No. of	Qty Part No.	Type
—	602/115	WICO GENIMAG, complete (Fitted to Corgi Mk. 1. Series 2 and Corgi Mk. 2. The Breaker Cover Plate on this Magneto is held in position by a flat spring)	1	FW.985.Z.	11-10
—	602/116	WICO GENIMAG, complete (Fitted to Corgi Mk. 2. The Breaker Cover is held in position by two screws)	1	FW.1054.Z.	11-10-1
—	602/038	WICO GENIMAG, complete (Fitted to Corgi Mk. IV. Series 1 & 2.) (Lucas Headlamp)	1	IG.1252.	11-10
—	602/089	WICO IGNITION GENERATOR, complete (Fitted to Corgi Mk. IV. Series 3.) (Wico Lighting)	1	IG.1179.	11-10-
15/1	602/132	FLYWHEEL	1	11B/55.ANN. 985.	5-16-
15/1	602/062	Flywheel	1	X109/55. 1054 & 1252.	5-16-
15/1	602/101	Flywheel	1	11B/55AAA. 1179.	5-16-
15/2	602/047	Nut—Flywheel	1	42/55. All.	2-
15/3	602/058	Lockwasher—Flywheel	1	69/55. All.	
—	602/117	STATOR PLATE UNIT	1	985.	5-13
—	602/118	Stator Plate Unit	1	1054 & 1252.	5-13-
—	602/090	Stator Plate Unit	1	1, S55. MKS 1179.	5-13-
15/4	602/120	STATOR PLATE (includes 38/55)	1	X124/55. 985.	7-5-
15/4	602/069	Stator Plate (includes 38, 55)	1	X124A/55. 1054 & 1252.	1-5-
15/5	602/091	Stator Plate (includes 38, 55)	1	X123/55. 1179	1-5-
15/6	602/070	Bush, Stator Plate	1	38/55. All.	1-
15/7	602/121	Grub Screw, Junction Board	4	97/55. 1179.	
15/8	602/122	COIL AND CORE GROUP	1	X63/55. 985.	2-18
15/8	602/071	Coil and Core Group	1	X127/55. 1054 & 1252.	2-17
15/9	602/073	H.T. Coil	1	X56/55. 985, 1054 & 1252.	1-9
15/10	602/123	L.T. Coil Group, of	1	X61/55. 985.	1-3-
15/10	602/076	L.T. Coil Group, or	1	X68/55. 1054 & 1252.	1-5-
15/11	602/072	Gasket	2	29/55. 985, 1054 & 1252.	
15/12	602/075	L.T. Terminal screw	1	87/55. 985, 1054 & 1252.	
15/13	602/074	Coil Core Group	1	X44/55. 985, 1054 & 1252.	7-
15/14	602/092	COIL AND CORE GROUP, includes —	1	X94/55. 1179.	2-18
15/15	602/094	H.T. Coil	1	X56B/55. 1179.	1-9
15/16	602/095	H.T. Coil & Core Group	1	X122/55. 1179.	1-14
15/17	602/098	Gasket	2	29A/55. 1179.	
—	602/124	Coil Wedge, 1/16"	1	2264A. 1179.	
—	602/011	Coil Wedge, 3/64"	1	2264B. 1179.	
15/18	602/125	Magnetic Shunt Lamination Plate	1	985.	FO
15/19	602/044	Core Stud Nut	2	39/55. All.	
15/20	602/045	Lockwasher, core stud nut	2	40/55. All.	
15/21	602/042	CONDENSER w/lead attached	1	X27/55. All.	8
15/22	602/133	Condenser w/separate lead	1	X27/55. All.	8
15/23	602/096	Lead—Condenser	1	X82/55. All.	
15/24	602/046	Fixing Screw, condenser	1	41/55. 1054 & 1252.	
15/25	602/063	Fixing Screw, condenser	1	M126XB. 1179.	
15/26	602/061	Nut, Condenser screw	1	96/55. 985, 1054 & 1252.	
15/27	602/055	Nut, Condenser screw	1	53/55. 1179.	
15/28	602/045	Lockwasher, Condenser Screw	1	40/55. 985, 1054 & 1252.	
15/29	602/056	Lockwasher, Condenser Screw	1	M55XC. 1179.	
15/30	602/039	BREAKER ARM SPRING, BLOCK	1	20/55. All.	
15/31	602/086	Screw, nut, Spring block	1	1428. All.	
15/32	602/087	Fixing Screw, Spring block	1	2073. 985, 1054 & 1252.	
15/32	602/126	Fixing Screw, Spring block	1	M31X. 1179.	
15/33	602/058	Insulating Washer Spring Block	1	51/55. All.	
34	602/054	Plain Steel Washer	1	52/55. All.	
35	602/056	Lockwasher spring block	1	M55XC. All.	

20 + 21

WICO-PACY MAGNETOS

PLATE 15

Date	B.E.S. Part No.	DESCRIPTION	No. off	Wico Part No.	Type
15/36	602/127	SET OF POINTS, (Fixed Contact & Breaker Arm)	1	X3343.	All.
15/37	602/049	FIXED CONTACT SCREW	1	47/55.	985. 1054 & 1252.
15/37	602/063	Fixed Contact Screw	1	M126XB.	1179.
15/38	602/056	Lockwasher—Fixed contact screw	1	M55XC.	All.
15/39	602/018	Plain Washer—Fixed contact screw	1	IXA256.	All.
15/40	602/055	Nut—Fixed contact screw	1	53/55.	All.
15/41	602/128	Fixed Screw, BREAKER ARM SPRING	1	16/738.	985.
15/41	602/087	Fixing Screw—Breaker Arm Spring	1	2073.	1054 & 1252.
15/41	602/063	Fixing Screw—Breaker Arm Spring	1	M126XB.	1179.
15/42	602/056	Lockwasher, Breaker Arm Spring Screw	1	M.55XC.	All.
15/43	602/040	Wire Lock—BREAKER ARM	1	21/55.	All.
15/44	602/050	Washer—1/32"	1	48/55.	All.
15/45	602/051	Washer .020"	1	49/55.	All.
15/46	602/052	Shim .005"	1	50/55.	All.
15/47	602/060	Insulator, L.T. TERMINAL SCREW	2	89/55.	985, 1054 & 1252.
15/48	602/043	Bushing, L.T. Terminal Screw	1	M35X.	985, 1054 & 1252.
15/49	602/016	Insulating Washer Terminal Screw	1	IXA862.	985, 1054 & 1252.
15/50	602/018	Plain Steel Washer Terminal Screw	2	IXA256.	985, 1054 & 1252.
15/51	602/059	Fixing Nut, Terminal Screw	1	M.72X.	985, 1054 & 1252.
15/52	602/083	Terminal Nut Terminal Screw	1	A142X.	985, 1054 & 1252.
15/53	602/005	Lockwasher—L.T. Terminal Nut	1	M55XA.	985, 1054 & 1252.
15/54	602/057	H.T. TERMINAL	1	X57/55.	985, 1054 & 1252.
15/55	602/041	Gasket—H.T. Terminal	1	24/55.	985, 1054 & 1252.
15/56	602/087	Screw—H.T. Terminal	2	2073.	985.
15/56	602/063	Screw—H.T. Terminal	2	M126XB.	1054 & 1252.
15/57	602/056	Lockwasher H.T. Terminal screw	2	M55XC.	985, 1054 & 1252.
15/58	602/081	H.T. LEAD	1	X62/55.	985, 1054 & 1252.
15/59	602/097	H.T. Lead	1	X62D/55.	1179.
15/60	602/080	Sleeve—H.T. Lead	1	36/55.	1054 & 1252.
15/61	602/082	Rubber Protector—H.T. Lead	1	78/55.	985, 1054 & 1252.
15/62	602/098	Outlet Rubber Block—H.T. Lead	1	72E/55.	1179.
15/63	602/048	CAM OIL PAD	1	43/55.	985, 1054 & 1252.
15/64	602/099	Cam Oil Pad	1	5256.	1179.
15/65	602/088	BREAKER BOX COVER	1	2074C.	985, 1054 & 1252.
15/66	602/103	Breaker Box Cover	1	73C/55.	1179.
15/67	602/129	Gasket—Breaker box cover	1	2072.	985.
15/68	602/180	Clip Assembly Breaker box cover	1	X58/55.	985.
15/69	602/004	Screw—Breaker box cover	2	IKA22.	1054 & 1252.
15/70	602/104	Screw—Breaker box cover	2	91/55.	1179.
15/71	602/056	Lockwasher—Breaker box cover screw	2	M55XC.	1054 & 1252.
—	602/055	Nut—Breaker box cover screw	2	53/55.	1179.
15/72	602/131	CAM. (C.C.W.)	1	17/55.	985 & 1054.
15/72	602/065	CAM. (C.W.)	1	16/55.	1252 & 1179.
15/73	602/067	Screw—Cam	1	55/55.	All.
15/74	602/005	Lockwasher—Cam screw	1	M55XA.	All.
15/75	602/066	Lockring—Cam screw	1	31/55.	All.
15/76	602/068	Key—Cam screw	1	1146.	All.
15/77	46/310/1	Fixing screw—Stator Plate	3		All.
15/78	104/214	Lockwasher—Stator Plate screw	3		All.
15/79	101/304/1	Washer, plain—Stator Plate screw	3		All.



MILLER MAGNETO.

PLATE 16.

Part No.	B.E.S. Part No.	DESCRIPTION	No. off	Miller Part No.	Type
16/-	613/001	MAGNETO COMPLETE	1	FWXB.	
—	613/002	BACKPLATE, COMPLETE, includes:—	1	FX1B.	
—	613/003	Contact Breaker complete, includes:—	1	F.3.	
—	613/004	Fixing screws	2	F.15.	
—	613/005	Adjusting screw	1	F.16.	
—	613/006	Condenser w/clips & screws	1	FX.5.	
—	613/007	Fixing screw, condenser	2	F.17.	
—	613/008	High Tension Coil	1	FX.8.	
—	613/009	Lighting Coil	1	FX.10.	
—	613/010	Fixing Screw—Coils	4	FX.9.	
—	613/011	High Tension Pickup	1	F.12.	
—	613/012	High Tension Cable	1	F.31.	
—	613/013	High Tension Cable with terminals	1	F.32.	
—	613/014	Pickup Bakelite Cap	1	F.40.	
—	613/015	Rubber Cap	1	F.12.A.	
—	613/016	Lighting Cable Plug	1	F.13.	
—	613/017	Lighting Cable Socket and Nut	1	F.14.	
—	613/018	FLYWHEEL COMPLETE, includes:—	1	FX.2B.	
—	613/019	Cover Flywheel	1	FX.4.	
—	613/020	Screws, Flywheel Cover	4	FX.4.	
—	902	Magneto securing screw	2		

7-10-0
3-15-0
7-9
3
6
7-9
3
1-10-0
11-6
4
3-0
5-0
1-3
1-3
10
1-4
1-4
3-15-0
4-0
6
9

CORGI SIDECARRIER.

SPARE PARTS LIST

Plate Ref./Xp.	B.E.S. Part No.	DESCRIPTION	No. of	REMARKS
—	902/014	SIDECARRIER FRAME	1	Mk. 1 & 2.
—	902/005	Sidecarrier frame	1	Mk. 4.
—	1016	Rubber sleeve	6	
—	1892	Rubber footrest	1	
—	3347	Wheel fork leg	2	
—	3351	Spring—fork leg	2	
—	53/263	Guide screw—inner—fork leg	1	
—	52/263	Guide screw—outer—fork leg	1	
—	3351	Mudguard	1	
—	25/001	Bolt—mudguard	2	
—	62/342	Nut—mudguard bolt	2	
—	101/502	Washer—mudguard bolt	2	
—	3865	Frame attachment lug	2	
—	12/466/1	Bolt—attachment lug	2	
—	102/106	Washer—attachment lug bolt	2	
—	3350	Front attachment bolt	1	Mk. 1 & 2.
—	7322	Front attachment bolt	1	Mk. 4.
—	3352	Special washer—front bolt	1	
—	3348	Rear attachment bolt	1	Mk. 1 & 2.
—	7325	Rear attachment bolt	1	Mk. 4.
—	61/343	Nut—Rear bolt	2	
—	101/206	Washer—Rear bolt	2	
—	7324	Engine adaptor plate	2	
—	7323	Spacer—Engine adaptor plate	1	
—	13/483/4	Engine bolt	1	Mk. 4.
—	61/304	Nut—Engine bolt	1	
—	101/807	Washer—Engine bolt	1	
—	3360	BOX—Sidecarrier	1	
—	3359	CANVAS COVER	1	
—	902/007	SIDE CAR WHEEL	1	
—	902/006	Cable Harness	1	
—	4615/2	Cable Clip (stl.)	1	
—	502/014	Cable Clip (alum.)	1	
—	9086	Combined front & tail lamp	1	
—	9088	Rear reflector	1	

P.E.
5-5-0
5-5-0
1-6
1-6
1-6-2
6
3
1-7-0
4
6-2
7-2
2-5
7-3
7-6
4
2
7-6
2-11
8
8
2
5-5-8
2-4-0
3-12-8
N.L.A.
6
6
12-6
3-0