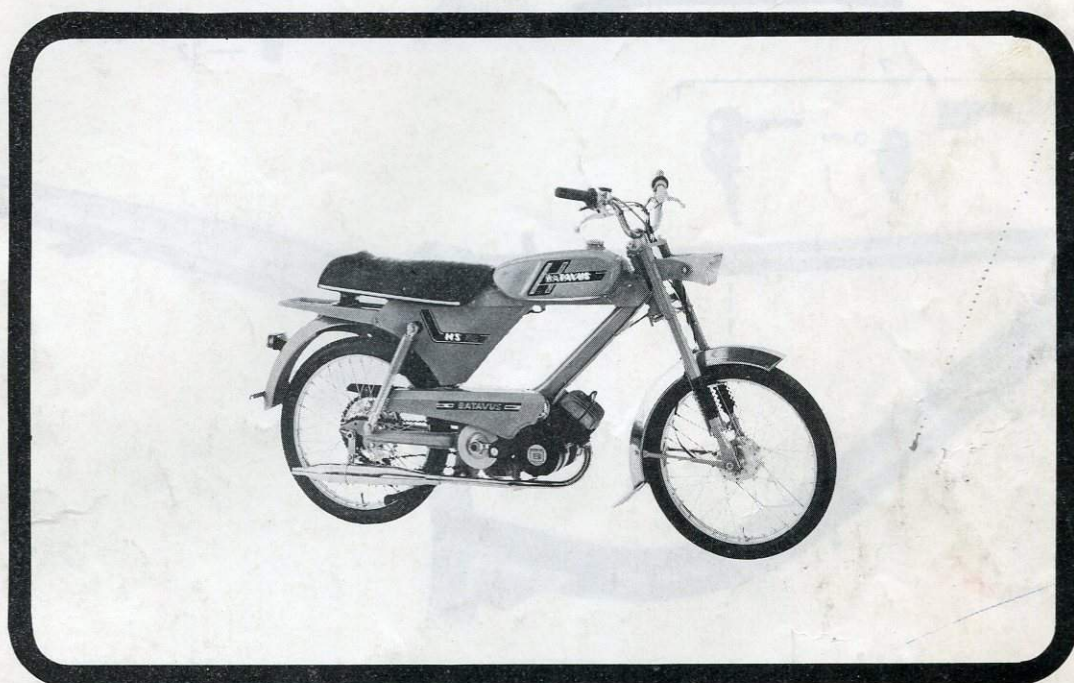


SPARE PARTS CATALOGUE

HS 50



Contents:

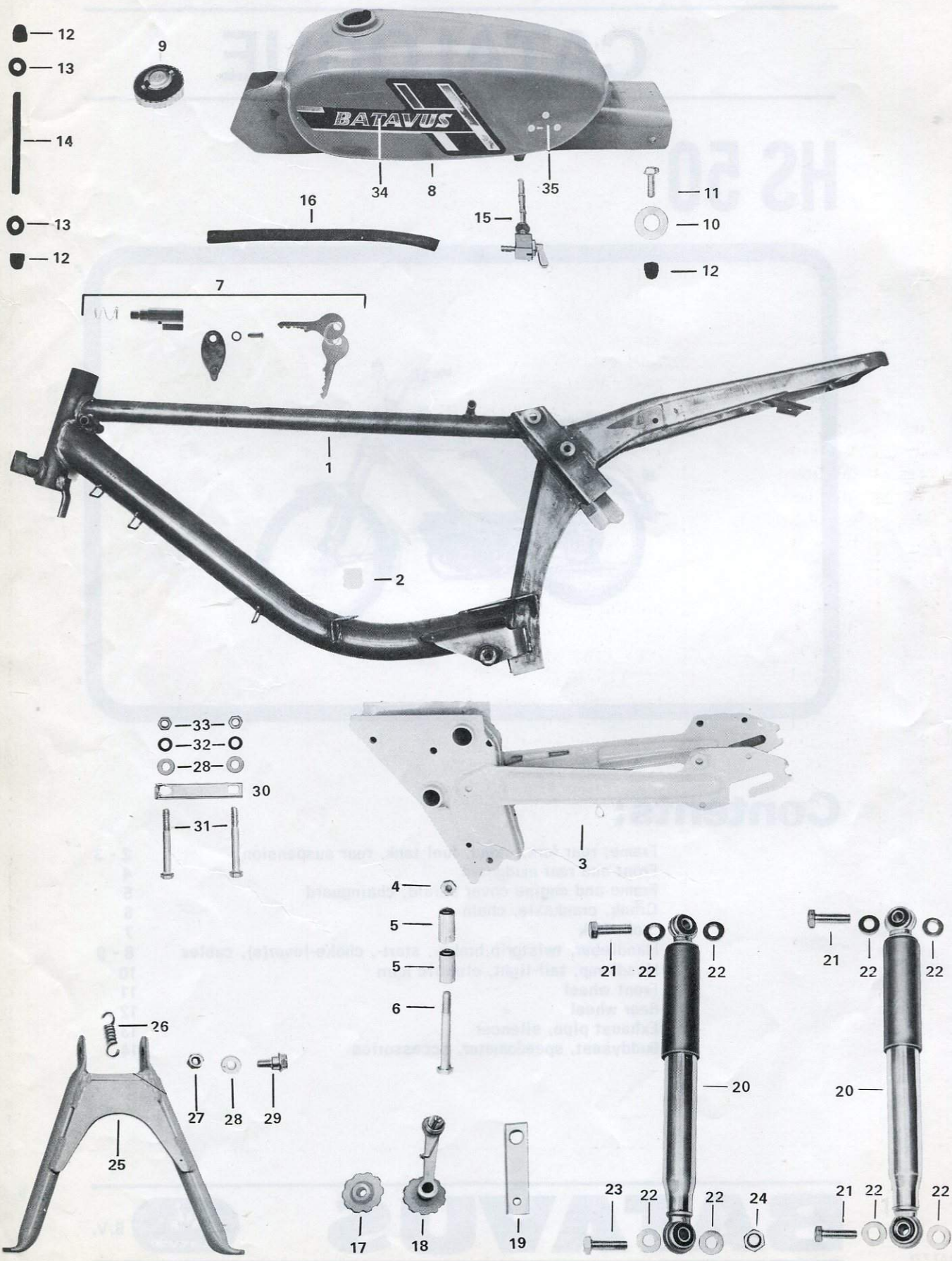
Frame, rear fork, stand, fuel tank, rear suspension	2 - 3
Front and rear mudguard	4
Frame and engine cover shield, chainguard	5
Crank, crankaxle, chain	6
Front fork	7
Handlebar, twistgrip, brake-, start-, choke-lever(s), cables	8 - 9
Headlamp, tail-light, electric horn	10
Front wheel	11
Rear wheel	12
Exhaust pipe, silencer	13
Buddyseat, speedometer, accessories	14

BATAVUS



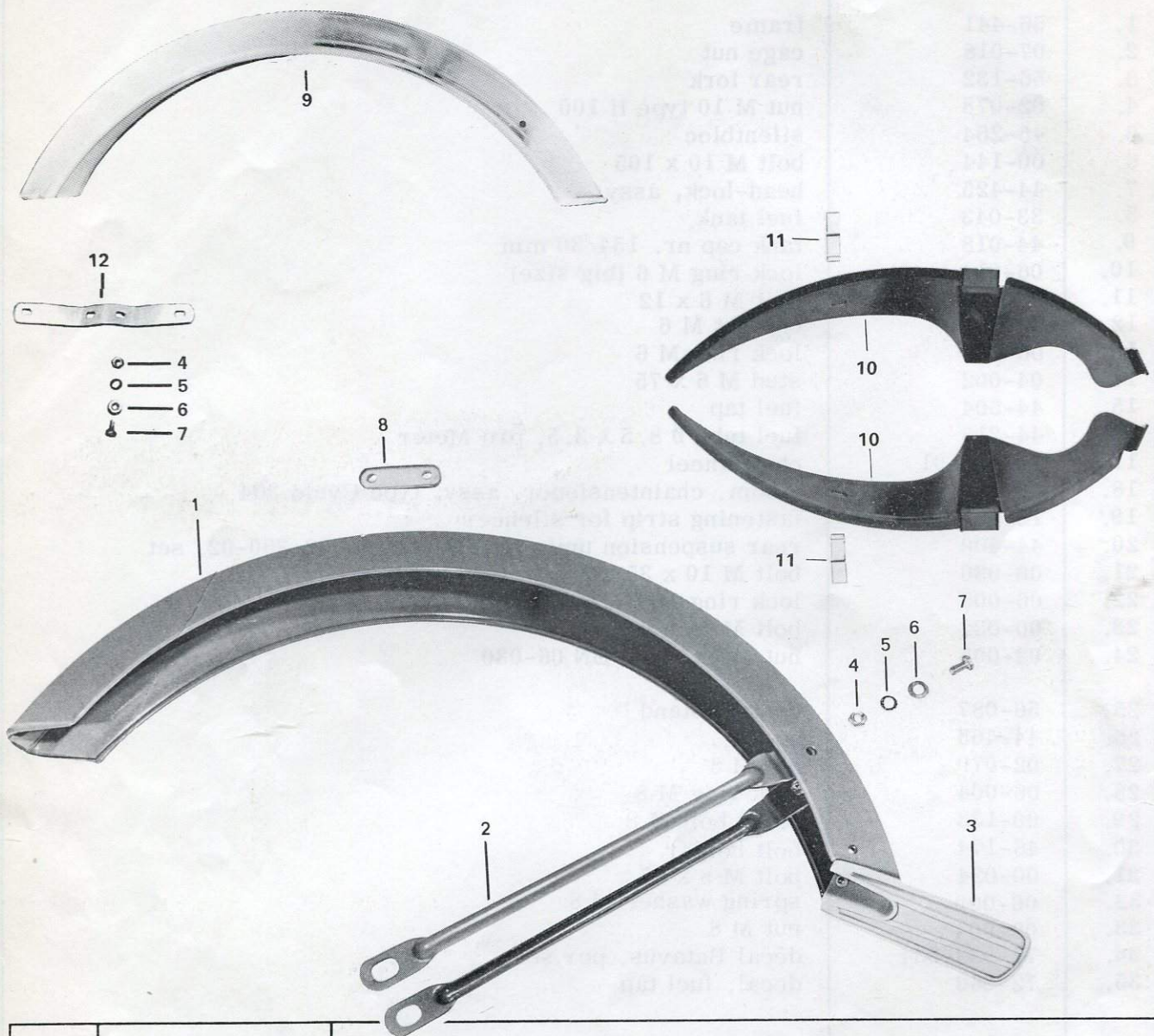
B.V.

FRAME, REAR FORK, STAND, FUEL TANK, REAR SUSPENSION



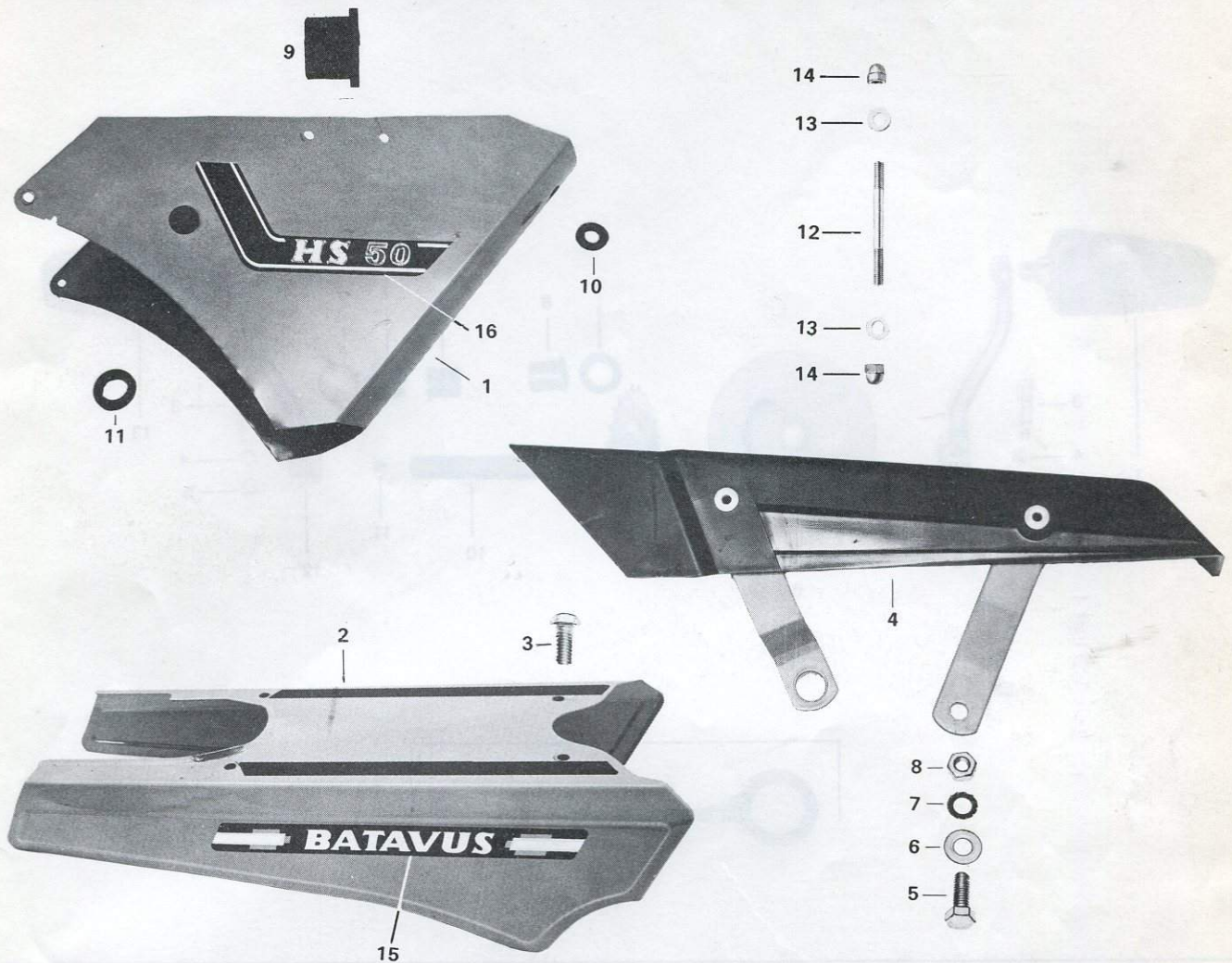
ILL.No.	Part No.	DESCRIPTION
1.	56-441	frame
2.	07-018	cage nut
3.	56-132	rear fork
4.	02-078	nut M 10 type H 100
5.	46-264	silentbloc
6.	00-144	bolt M 10 x 105
7.	44-425	head-lock, assy
8.	33-043	fuel tank
9.	44-018	tank cap nr. 154/30 mm
10.	06-014	lock ring M 6 (big size)
11.	00-006	bolt M 6 x 12
12.	02-021	cap nut M 6
13.	06-003	lock ring M 6
14.	04-002	stud M 6 x 75
15.	44-504	fuel tap
16.	44-315	fuel tube \emptyset 8,5 x 3,5, pro Meter
17.	49-124-01	chainwheel
18.	49-124	autom. chaintensioner, assy, type Cyclo 304
19.	10-251	fastening strip for silencer
20.	44-400	rear suspension units type Sebac nr. 52.300-02, set
21.	00-030	bolt M 10 x 35
22.	06-005	lock ring M 10
23.	00-032	bolt M 10 x 45
24.	02-005	nut M 10, type EN 06-030
25.	56-087	central stand
26.	44-405	spring
27.	02-070	nut M 8
28.	06-004	lock ring M 8
29.	00-133	stand bolt M 8
30.	46-174	bolt holder
31.	00-024	bolt M 8 x 65
32.	06-009	spring washer M 8
33.	02-004	nut M 8
34.	72-933-934	decal Batavus, per set
35.	72-966	decal, fuel tap

FRONT AND REAR MUDGUARD



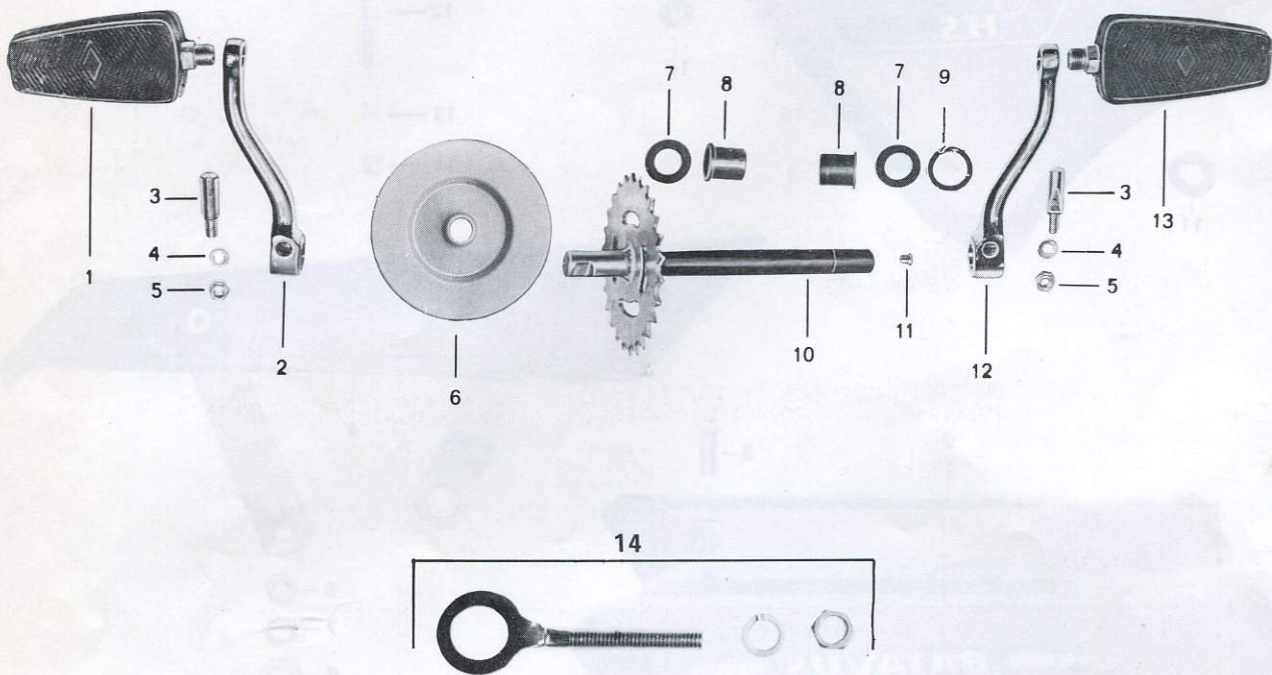
ILL.No.	Part No.	DESCRIPTION
1.	30-221-02	front mudguard (stainless steel)
2.	30-183	mudguard stay
3.	46-243	mud-flap (plastic)
4.	02-003	nut M 6
5.	06-011	spring washer M 6
6.	06-003	lock ring M 6
7.	00-006	bolt M 6 x 12
8.	46-162	rubber buffer
9.	30-222	rear mudguard 20" (stainless steel)
10.	31-202	mudguard, plastic, set
11.	49-099	assembly clip for mudguard
12.	10-349	number plate bracket

FRAME AND ENGINE COVER SHIELD, CHAINGUARD



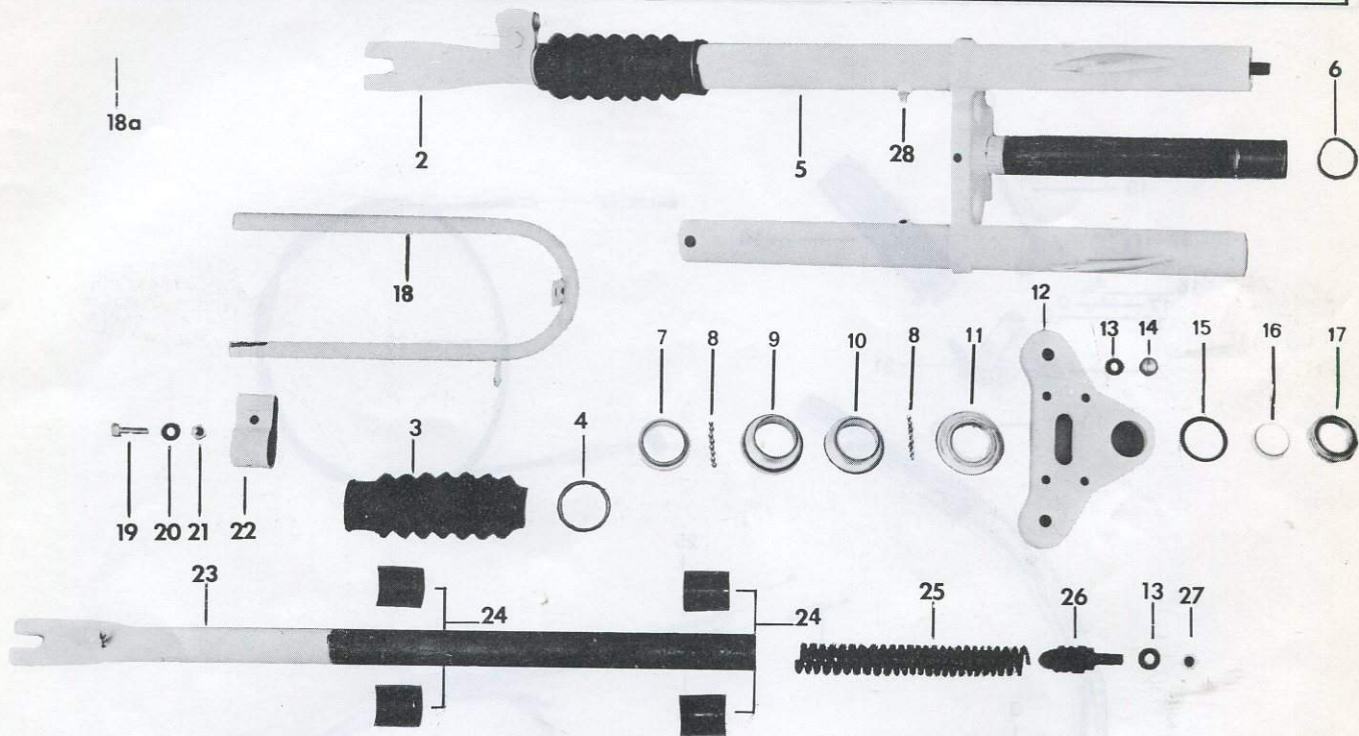
ILL.No.	Part No.	DESCRIPTION
1.	31-220	frame cover shield
2.	31-185-01	engine cover shield
3.	00-143	bolt M 6 x 18 (special type)
4.	31-182	chainguard with fastening strips
5.	00-006	bolt M 6 x 12
6.	06-003	locking ring M 6
7.	06-011	spring washer M 6
8.	02-003	nut M 6
9.	46-313	rubber sleeve \varnothing 28 x 12 x 18
10.	46-322	rubber sleeve
11.	46-028	rubber sleeve form 640
12.	04-032	stud M 6 x 110
13.	06-014	washer M 6
14.	06-021	cap nut M 6
15.	72-1020-1021	Decal Batavus, per set
16.	72-1031-1032	Decal HS 50, per set

CRANK, CRANKAXLE, CHAIN



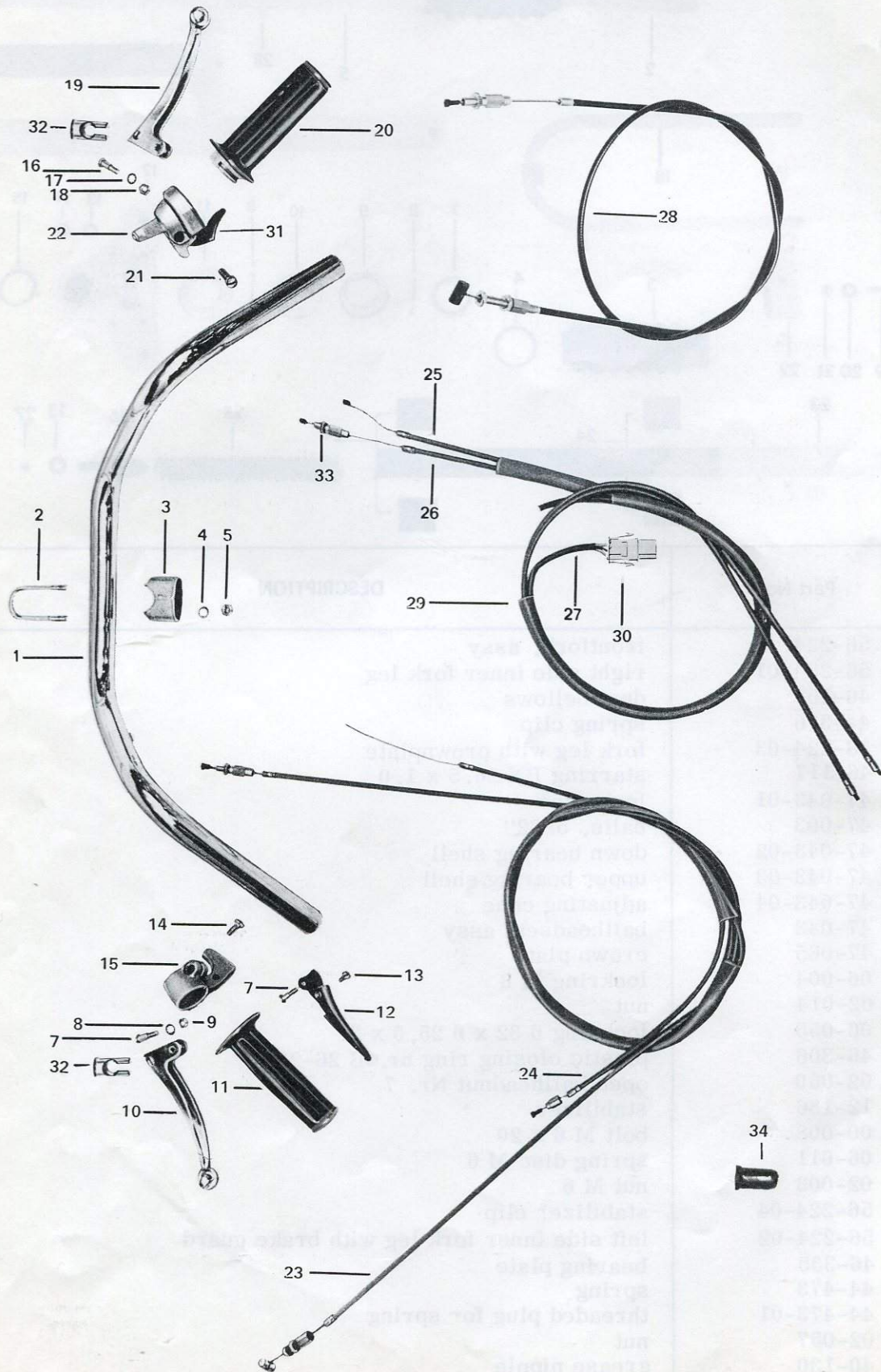
ILL.No.	Part No.	DESCRIPTION
1.	44-021-02	left side pedal nr. 261
2.	14-073	left side crank
3.	08-001	cotter nr. 29023
4.	06-032	lockring M 7
5.	02-038	nut M 7
6.	46-279	dust protector
7.	24-073	lockring \emptyset 28 x 16, 2 x1
8.	46-197	bearing nr. 2896/16, L = 22 mm
9.	46-285	distance bush \emptyset 22 x 2,5, L = 16,5 mm
10.	24-103-01	crank axle with chainwheel (T = 26)
11.	40-093	grease nipple
12.	14-074	right side crank
13.	44-021-01	right side pedal nr. 261
14.	45-086	chain tensioner M 7, L = 57 mm
	45-066	chain, pedal transmission 1/2 x 1/8", 82 rolls with connecting link
	45-174	chain, engine transmission 1/2 x 3/16", 88 rolls with connecting link

FRONT FORK



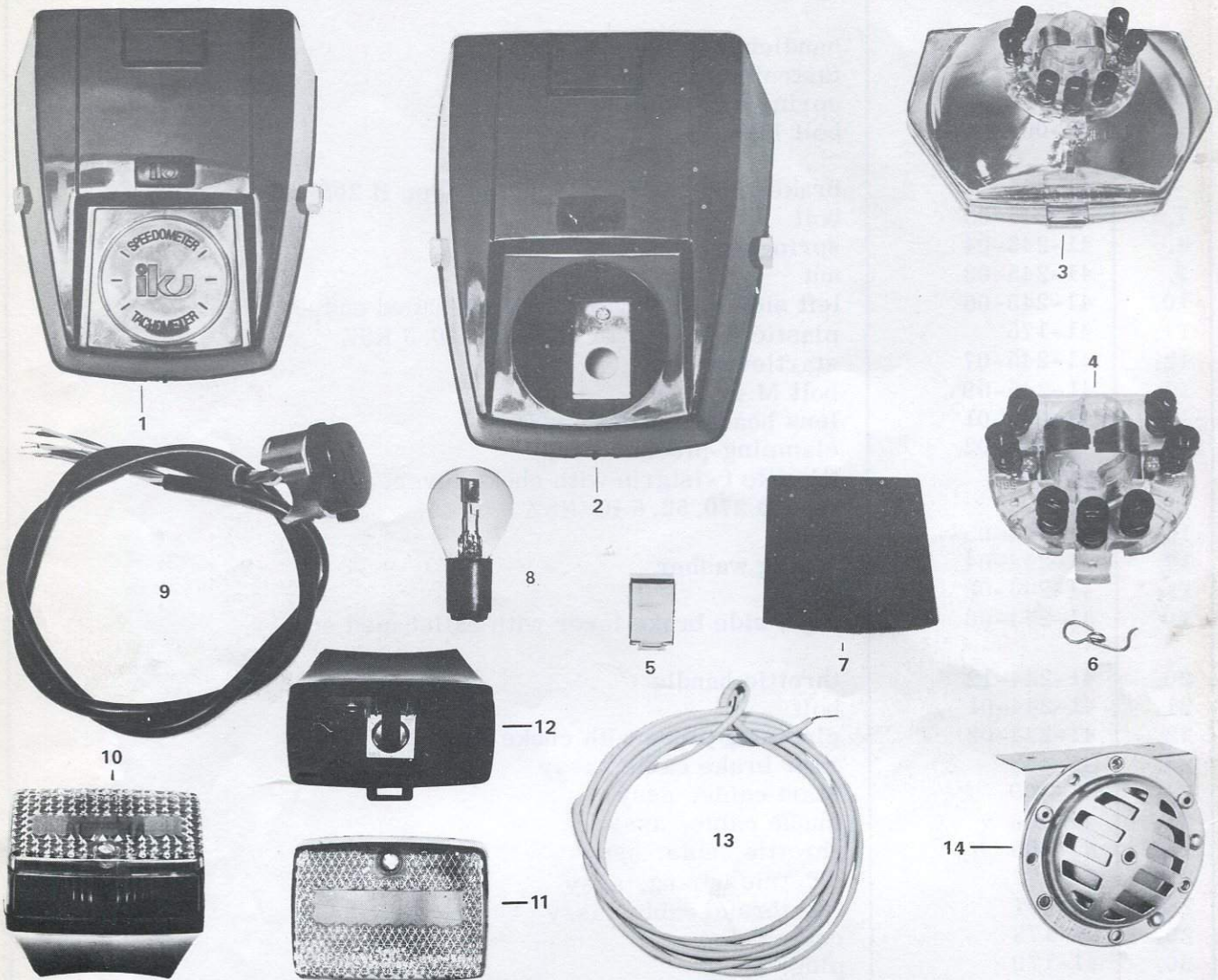
ILL. No.	Part No.	DESCRIPTION
-	56-224	frontfork, assy
2.	56-224-01	right side inner fork leg
3.	46-158	dust bellows
4.	44-376	spring clip
5.	56-224-03	fork leg with crownplate
6.	46-117	starring BN 26.5 x 1.0
7.	47-043-01	fork cone
8.	47-003	balls, 5/32"
9.	47-043-02	down bearing shell
10.	47-043-03	upper bearing shell
11.	47-043-04	adjusting cone
-	47-043	ballheadset, assy
12.	47-065	crown plate
13.	06-004	lockring M 8
14.	02-014	nut
15.	06-055	lockring \emptyset 32 x \emptyset 25,5 x 2
16.	46-306	plastic closing ring nr. B 26-23.5
17.	02-059	open ballheadnut Nr. 7
18.	12-186	stabilizer
19.	00-008	bolt M 6 x 20
20.	06-011	spring disc M 6
21.	02-003	nut M 6
22.	56-224-04	stabilizer clip
23.	56-224-02	left side inner fork leg with brake guard
24.	46-335	bearing plate
25.	44-473	spring
26.	44-473-01	threaded plug for spring
27.	02-057	nut
28.	40-130	grease nipple

HANDLEBAR, TWISTGRIP, BRAKE-, START-, CHOKE LEVER(S) CABLES



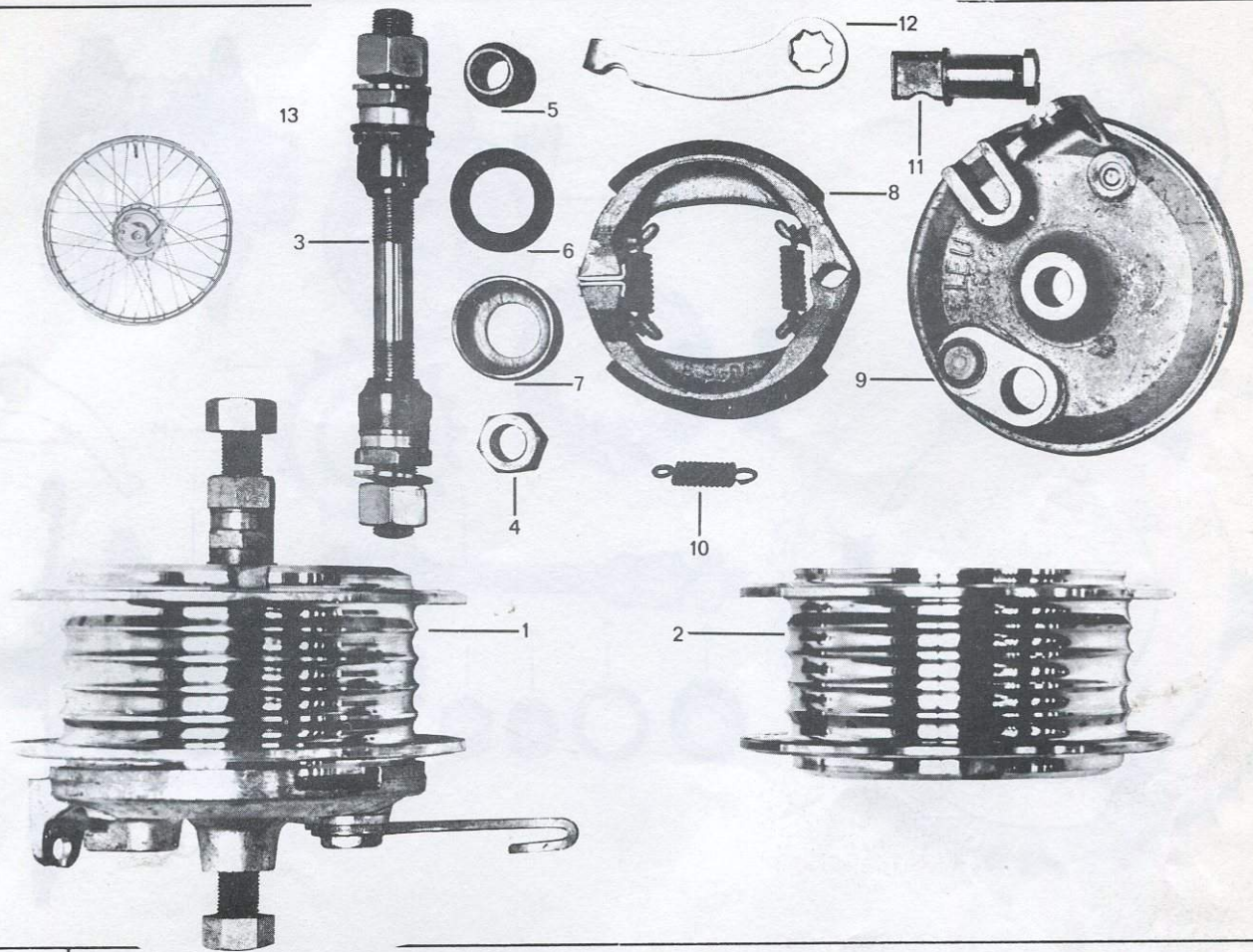
ILL. No.	Part No.	DESCRIPTION
1.	12-009	handlebar
2+3.	46-051	fastening clip, assy
4.	06-011	spring washer M 6
5.	02-003	bolt M 6
	41-245	brake- and startlever, assy, type H 209.21.6
7.	41-245-05	bolt
8.	41-245-04	spring washer
9.	41-245-03	nut
10.	41-245-06	left side brakelever with ballshaped end
11.	41-175	plastic lever-cover D 240.1-10.5 KSZ
12.	41-245-07	startlever
13.	41-245-09	bolt M 4
14.	41-245-01	lens headed bolt M 6 x 15
15.	41-245-02	clamping-piece
	41-244	throttle twistgrip with choke lever, assy type D 270.52.6 IC/KSZ
16.	41-244-05	bolt
17.	41-244-04	spring washer
18.	41-244-03	nut
19.	41-244-06	right side brake lever with ballshaped end
20.	41-244-12	throttle handle
21.	41-244-01	bolt
22.	41-244-02	clamping piece with choke lever
23.	41-408	rear brake cable, assy
24.	41-409	start cable, assy
25.	41-406	choke cable, assy
26.	41-405	throttle cable, assy
27.	42-172	electric wiring, assy
28.	41-407	frontbrake cable, assy
29.	42-173	cable cover
30.	41-179	plug, assy
31.	41-244-10	chokelever
32.	41-117	cable nipple holder
33.	41-207	adjustable screw
34.	46-179	cable grommet V 3723 Tob 16/70

HEADLAMP, TAIL-LIGHT, ELECTRIC HORN



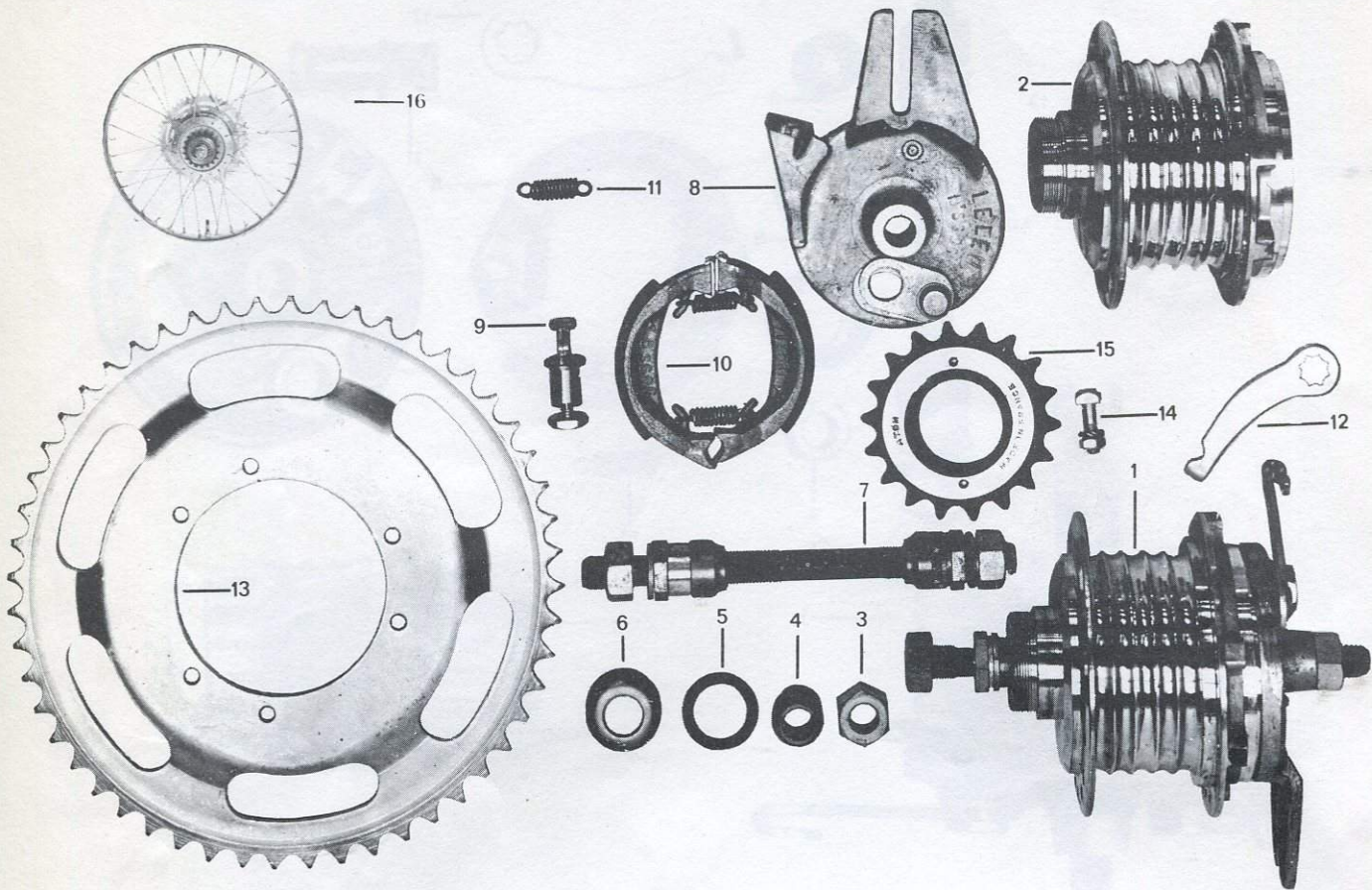
ILL. No.	Part No.	DESCRIPTION
1.	42-252	headlamp, assy, type nr. 96-012, finish: black
2.	42-252-01	rear housing
3.	42-252-04	headlamp interior, assy
4.	42-252-13	fitting
5.	42-252-05	fastening piece for interior assembly
6.	42-252-14	spring for fastening piece
7.	42-252-09	cover plate
8.	42-251	duplo bulb (headlamp) 6 V - 18/18 W
9.	42-080	switch with cable
10.	42-238	tail-light, type ULO nr. 223-84
11.	42-238-01	reflector
12.	42-238-02	tail-light housing
13.	42-168	electric wire, assy, L = 1140 mm
	42-082	bulb (tail-light), 6 V - 4 W
14.	41-413	electric horn, 6 V - 18 W

FRONT WHEEL



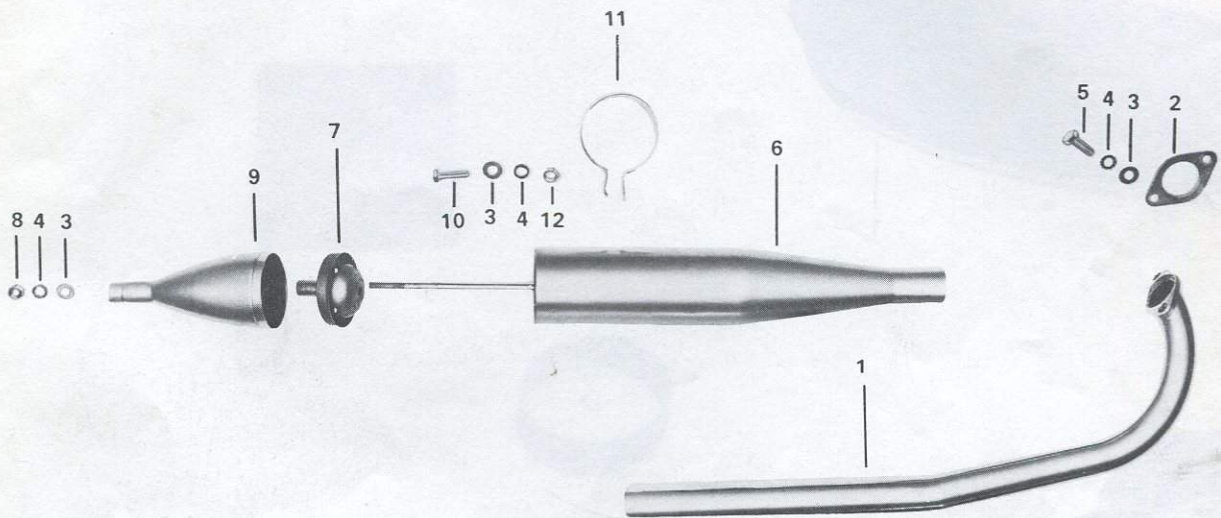
ILL. No.	Part No.	DESCRIPTION
1.	44-229	front hub, assy, type Leleu nr. 1913 (36)
1a.	44-446	front hub, assy, type Leleu nr. 1913 (28)
2.	44-229-01	hub shell (36)
2a.	44-446-01	hub shell (28)
3.	44-229-02	front spindle, assy (incl. cones and nuts)
4.	44-229-03	spindle nut
5.	44-229-04	spindle cone
6.	44-229-05	dust ring
7.	44-229-06	cup
8.	44-229-07	pair brake shoes, assy
9.	44-229-08	brake plate
10.	44-229-09	brake shoe spring
11.	44-229-10	brake cam
12.	44-229-11	brake lever
13.	56-135-01	front wheel assy with hub 36 holes
13a.	56-135-02	front wheel assy with hub 28 holes
-	40-206	rim, 16" (OVS 44-36)
-	40-207	rim, 16" (OVS 44-28)
-	40-171	spokes, nr. 12-160, for hub with 36 holes, per gross
-	40-210	spokes, nr. 12-168, for hub with 28 holes, per gross
-	48-124	tyre 2-16
-	48-125	tube 2-16
-	48-116	tube bandage 20" x 1½

REAR WHEEL



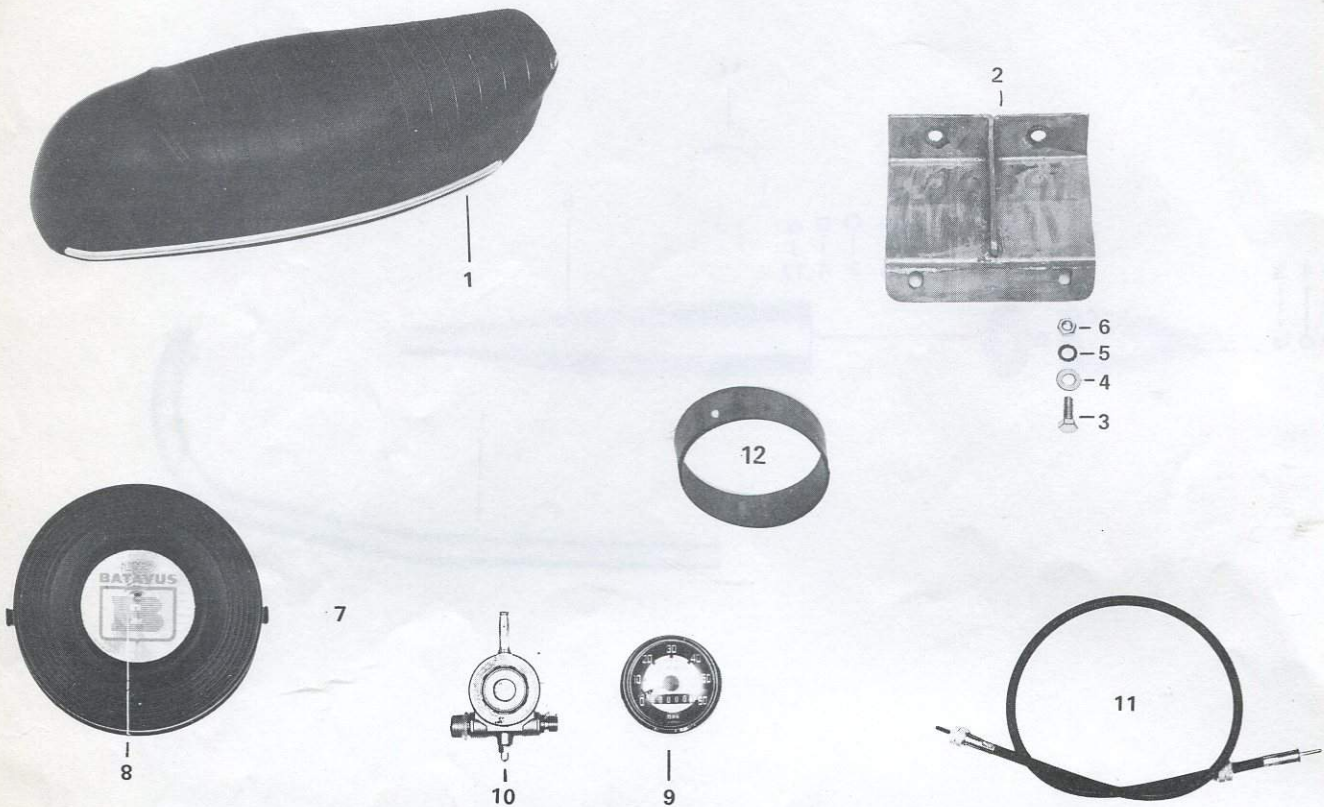
ILL. No.	Part No.	DESCRIPTION
1.	44-230	rear hub, assy (excl. chainwheel), type Leleu nr. 2128
2.	44-230-01	hub shell
3.	44-230-03	spindle nut
4.	44-230-04	spindle cone
5.	44-230-05	dust ring
6.	44-230-06	cup
7.	44-230-02	rear spindle, assy (incl. cones and nuts)
8.	44-230-08	brake plate
9.	44-230-10	brake cam
10.	44-230-07	pair brake shoes, assy
11.	44-230-09	brake shoe spring
12.	44-230-11	brake lever
13.	44-346	chainwheel, T = 46
14.	44-230-12	fastening bolt with nut for chainwheel
15.	49-019	freewheel 1/2 x 1/8", T = 20
16.	56-136	rear wheel, assy
-	40-206	rim 16" (OVS 44-36)
-	40-172	spokes nr. 11-166, per gross
-	40-173	spokes nr. 11-164, per gross
-	48-124	tyre 2-16
-	48-125	tube 2-16
-	48-116	tube bandage 20" x 1 1/2

EXHAUSTPIPE, SILENCER



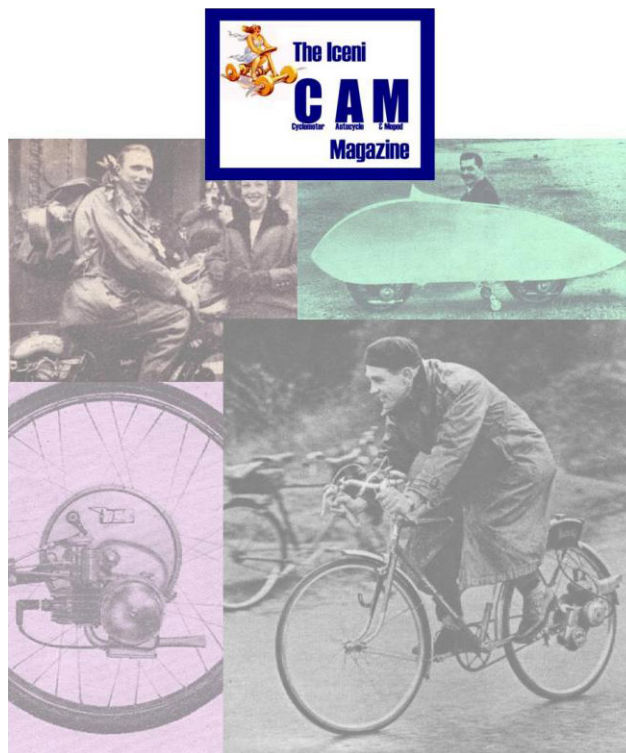
ILL. No.	Part No.	DESCRIPTION
1.	16-098	exhaust pipe \varnothing 28 x 1,5 L = 500 mm
2.	46-141	exhaust gasket, type 35
3.	06-003	lockring M 6
4.	06-011	spring washer M 6
5.	00-142	bolt M 6 x 20 RVS
6.	16-097	silencer, assy
6.	16-097-03	front part of silencer
7.	16-097-01	inner silencer
8.	02-038	nut M 7
9.	16-097-02	rear part of silencer
10.	00-010	bolt M 6 x 30
11.	16-100	clip for silencer \varnothing 60 mm
12.	02-003	nut M 6

BUDDYSEAT, SPEEDOMETER, ACCESSORIES



ILL. No.	Part No.	DESCRIPTION
1.	44-505	buddy seat
2.	10-369	fastening plate
3.	00-007	bolt M 6 x 16
4.	06-003	washer M 6
5.	06-011	spring washer
6.	02-003	nut M 6
7.	45-196	engine cover
8.	72-531	decal, Batavus
9.	42-239	speedometer VDO (mph)
10.	42-250	speedometer drive
11.	42-137	speedometer drive cable, assy
12.	46-236	rubber seal for carburettor
		ACCESSORIES
	49-034	front carrier, assy (chromed)
	49-035	wire basket (chromed)
	86-008	rear view mirror
	56-029	leg shield

IceniCAM On-Line Library



www.icenicam.org.uk