

SPARE PARTS CATALOGUE



Go-Go V



Go-Go Super VA

Contents:

page No

Frame, carrier, stand, rear fork	2-3
Engine support	4
Fuel tank, rear suspension	5
front mudguard	6
rear mudguard	7
engine cover shield, chainguard	8
crank, crankaxle, chain	9
front fork	10
handlebar, twistgrip, brake-, start-, choke-lever(s), cables	11-12
headlamp, tail-light, electric horn	13-14
frontwheel	15
rear wheel	16
exhaust pipe, silencer	17
seat, toolbox, accessories	18

BATAVUS

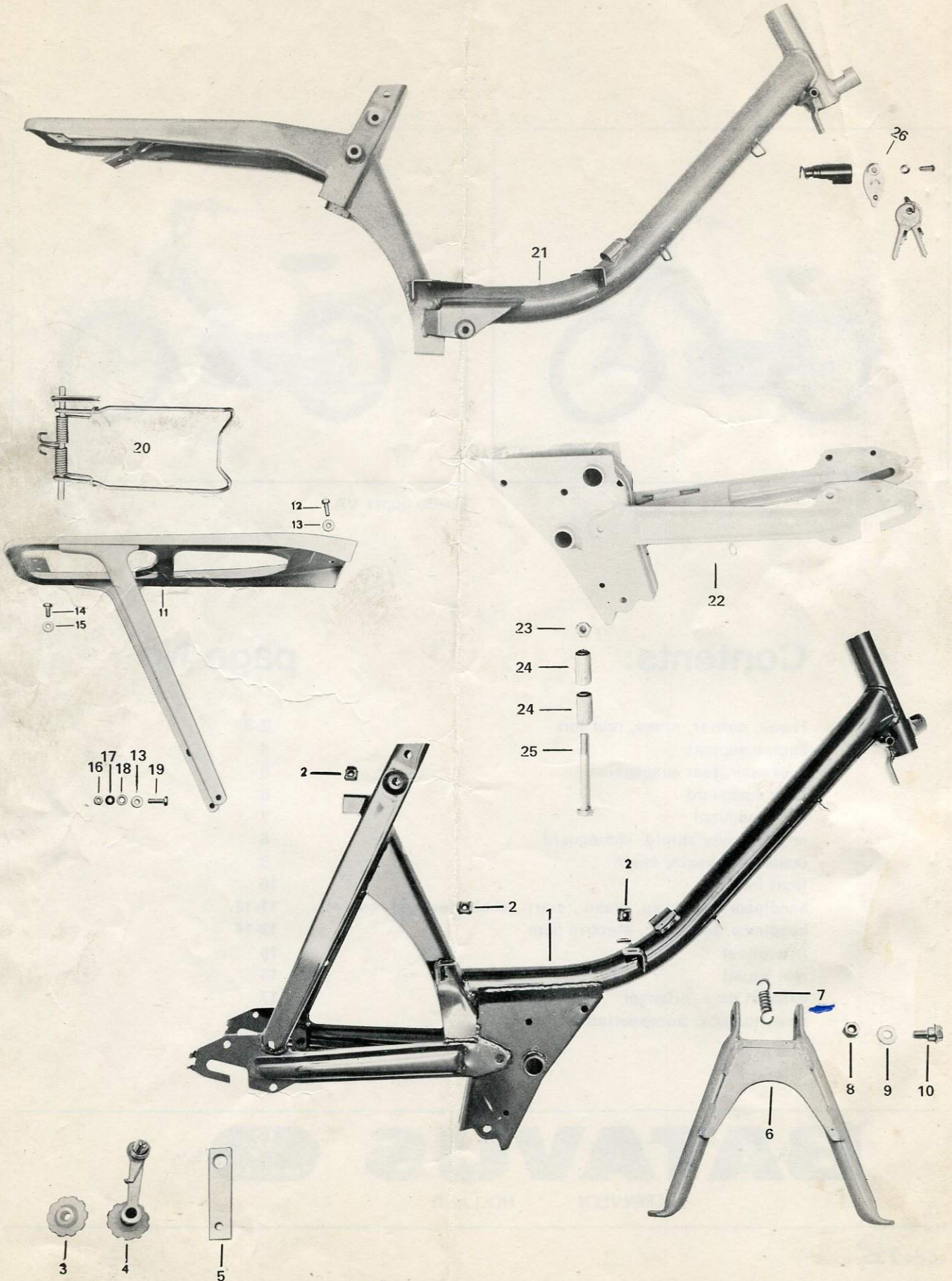
HEERENVEEN

HOLLAND



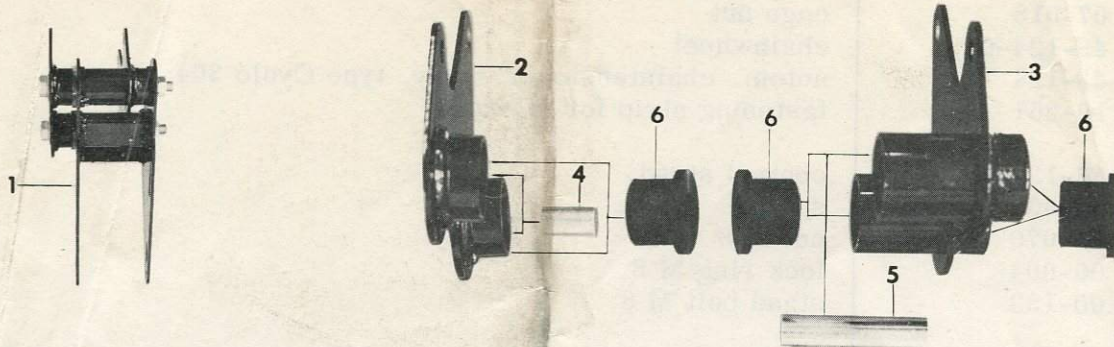
b.v.

FRAME, CARRIER, STAND, REAR FORK

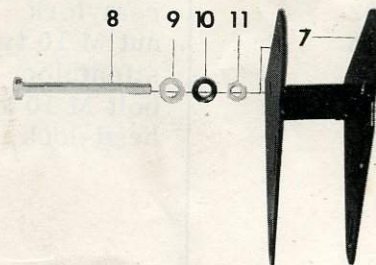


ILL. No.	Part No.	DESCRIPTION
1.	56-141	frame (type V)
2.	07-018	cage nut
3.	49-124-01	chainwheel
4.	49-124	autom. chaintensioner, assy, type Cyclo 304
5.	10-251	fastening strip for silencer
6.	56-137	central stand
7.	44-405	spring
8.	02-070	nut M 8
9.	06-004	lock ring M 8
10.	00-133	stand bolt M 8
11.	13-093	carrier
12.	00-007	bolt M 6 x 16
13.	06-003	lock ring M 6
14.	00-040	bolt M 5 x 10
15.	06-002	lock ring M 5
16.	02-003	nut M 6
17.	06-010	spring disc M 6
18.	46-283	distance bush \emptyset 12 x 1, 95
19.	00-008	bolt M 6 x 20
20.	13-096	carrier spring-clip
21.	56-211	frame (type VA)
22.	56-132	rear fork
23.	02-005	nut M 10 type H 100
24.	46-264	silentbloc
25.	00-144	bolt M 10 x 105
26.	44-425	head-lock, assy

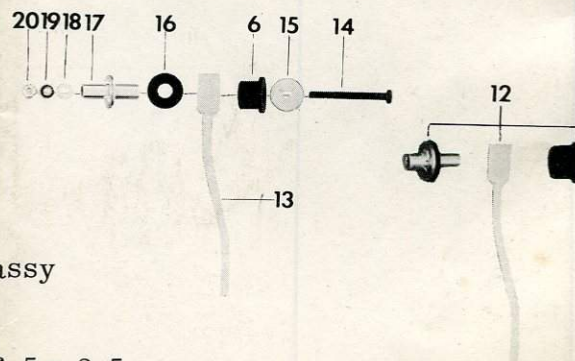
ENGINE SUPPORT



ILL. No.	Part No.	DESCRIPTION
1.	10-342	engine support bracket with rubber mountings, assy.
2.	10-342-01	left side engine support
3.	10-342-02	right side engine support
4.	46-310	spacer tube
5.	46-309	spacer tube
6.	46-313	rubber sleeve

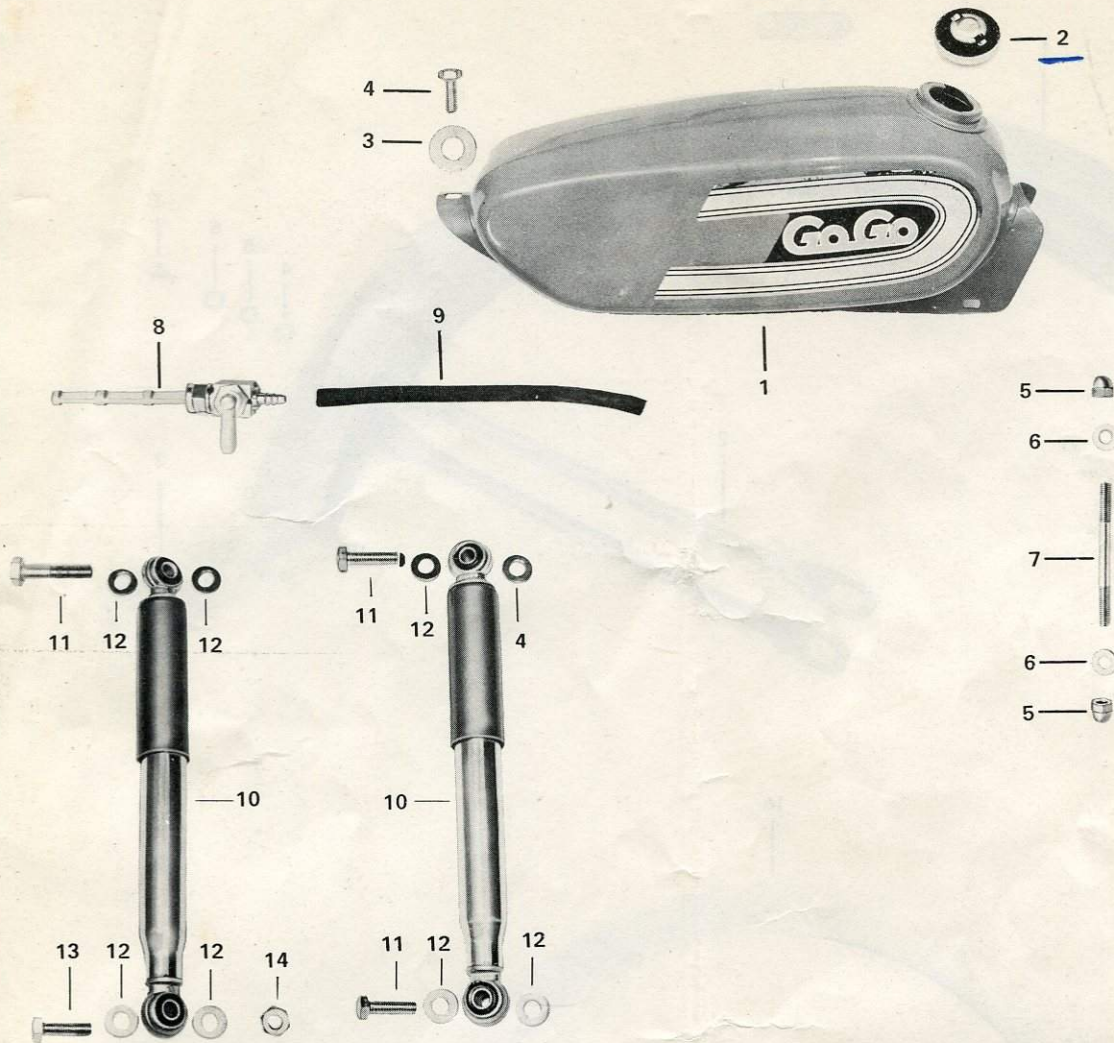


7.	10-342-03	engine support cradle
8.	00-147	bolt M 8 x 85 mm
9.	06-004	washer
10.	06-009	spring washer A 8
11.	02-004	nut M 8



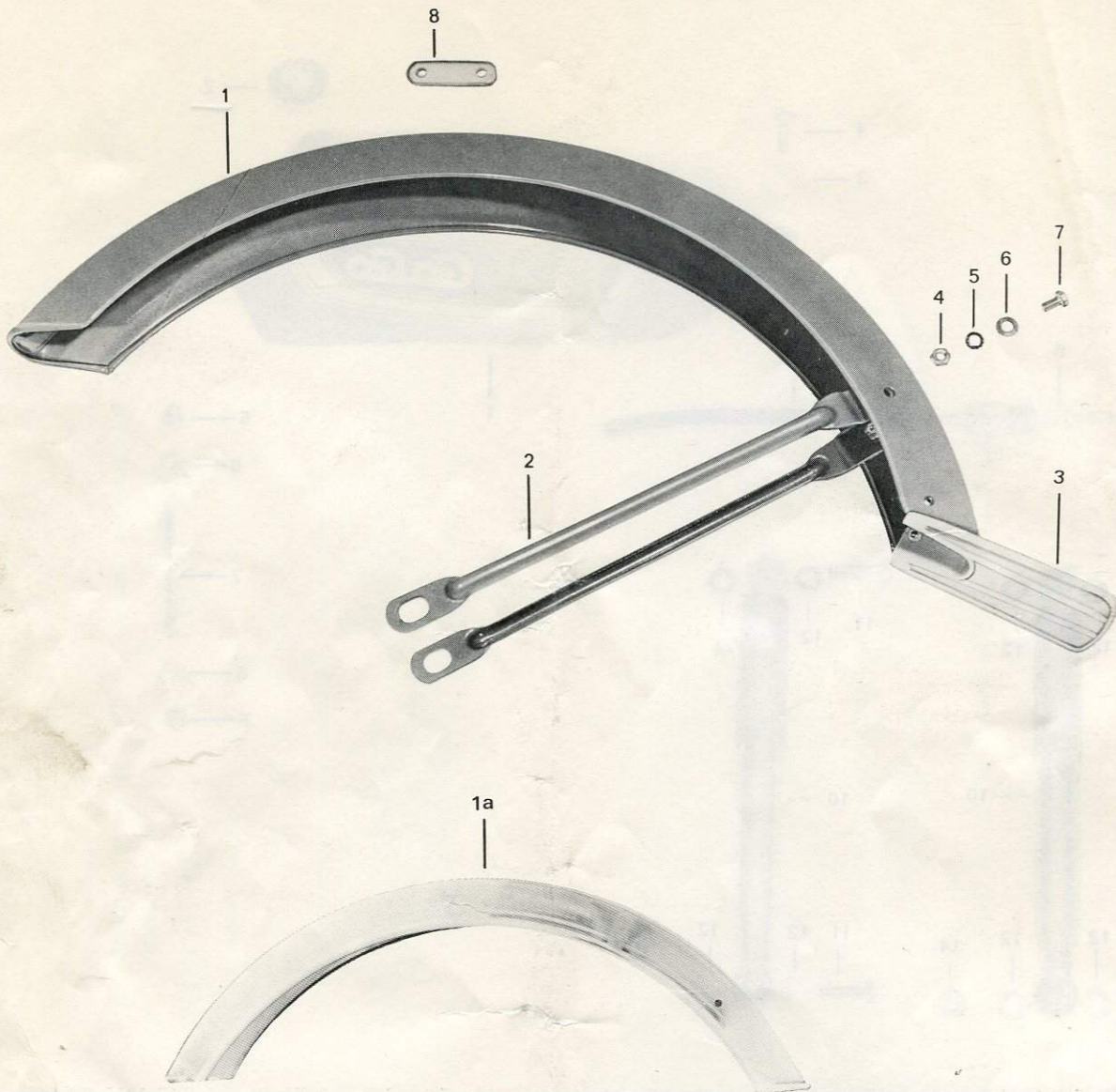
12.	10-344	exhaust bracket assy
13.	10-344-01	exhaust bracket
14.	00-146	bolt M 6 x 60
15.	06-085	washer $\varnothing 26 \times \varnothing 6,5 \times 2,5$
16.	46-314	rubber ring
17.	46-321-01	spacer tube
18.	06-003	washer M 6
19.	06-011	spring washer
20.	02-003	nut M 6

FUEL TANK, REAR SUSPENSION



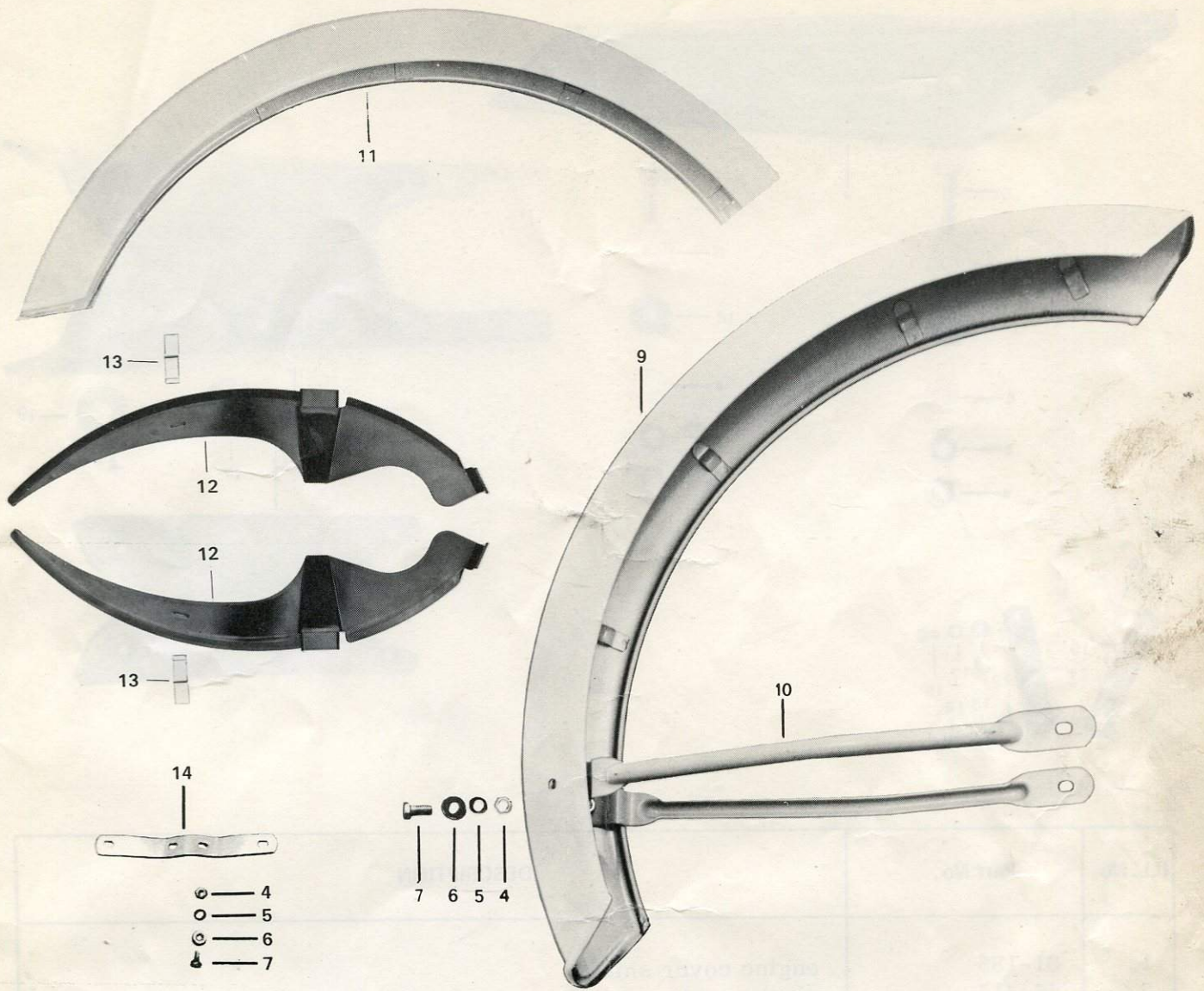
ILL. No.	Part No.	DESCRIPTION
1.	33-039	fuel tank
2.	44-018	tank cap nr. 154/30 mm
3.	06-014	lock ring M 6 (big size)
4.	00-007	bolt M 6 x 15
5.	02-021	cap nut M 6
6.	06-003	lock ring M 6
7.	04-002	stud M 6 x 75
8.	44-406	fuel tap
9.	44-315	fuel tube \varnothing 8,5 x 3,5 x 280
10.	44-400	rear suspension units type Sebac nr. 52.300-02, set
11.	00-030	bolt M 10 x 35
12.	06-005	lock ring M 10
13.	00-032	bolt M 10 x 45
14.	02-005	nut M 10, type EN 06-030

FRONT MUDGUARD



ILL. No.	Part No.	DESCRIPTION
1.	30-182	front mudguard 20" (Durolon-coated)
1a.	30-221-01	front mudguard (stainless steel)
2.	30-183	mudguard stay
3.	46-243	mud-flap (plastic)
4.	02-003	nut M 6
5.	06-011	spring disc M 6
6.	06-003	lock ring M 6
7.	00-006	bolt M 6 x 12
8.	46-162	rubber buffer

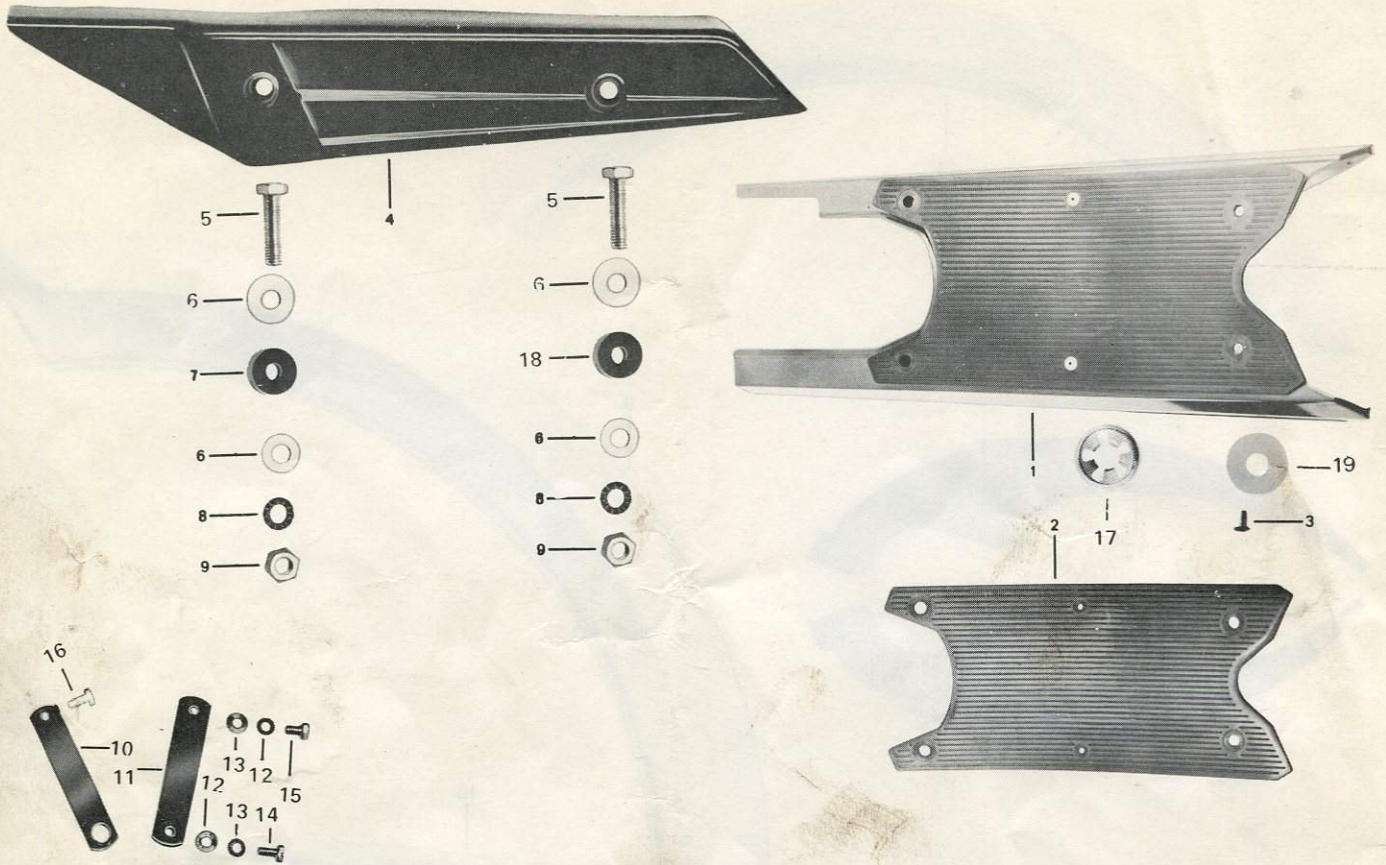
REAR MUDGUARD



ILL. No.	Part No.	DESCRIPTION
9.	30-184	rear mudguard 20" (type V)
10.	30-137	rear mudguard stay
7.	00-006	bolt M 6 x 12
6.	06-003	lockring M 6
5.	06-011	spring disc M 6
4.	02-003	nut M 6
11.	30-193	rear mudguard 20" (type VA)
12.	31-202	mudguard, plastic, set
13.	49-099	assembly clip for mudguard
14.	10-349	number plate bracket

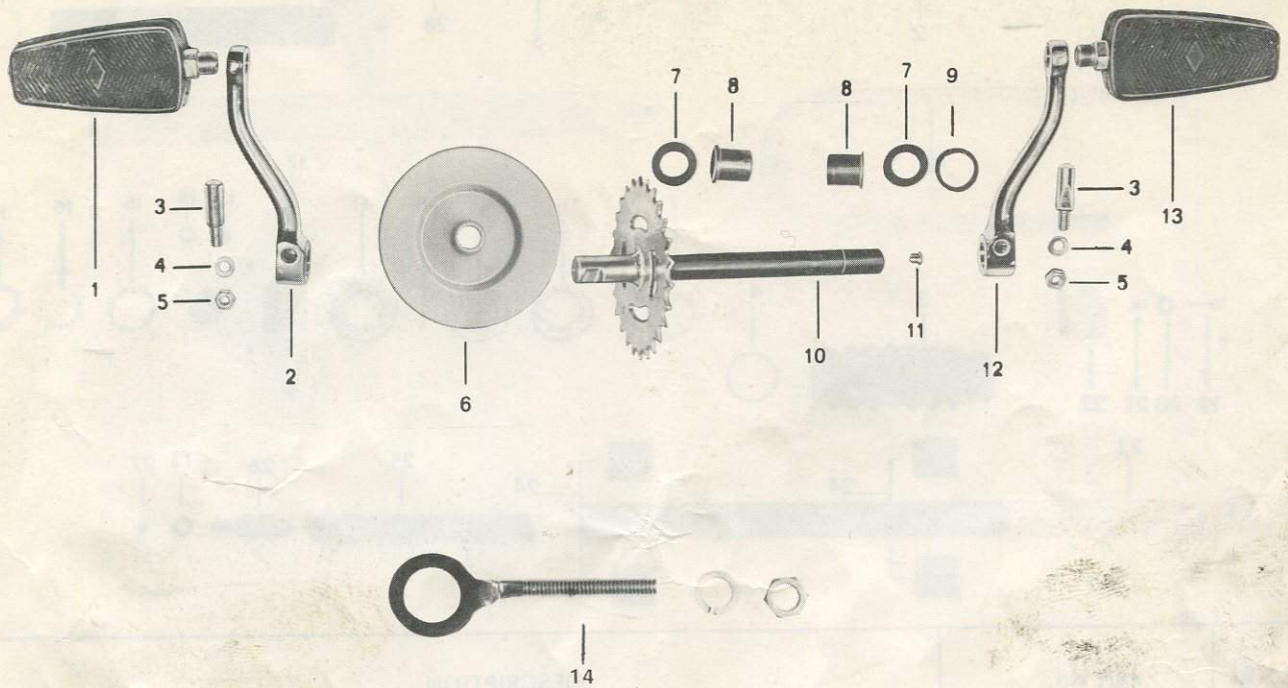
ENGINE COVER SHIELD, CHAINGUARD

REAR CHAINGUARD



ILL. No.	Part No.	DESCRIPTION
1.	31-185	engine cover shield
2.	46-317	plastic mat
3.	00-143	bolt M 6 x 18 (special type)
4.	31-182	chainguard
5.	00-009	bolt M 6 x 25 (type V)
6.	06-003	locking ring M 6 (type V)
7.	46-201	rubber ring \emptyset 16 x 6,5 x 8 (type V)
8.	06-011	spring disc M 6 (type V)
9.	02-003	nut M 6 (type V)
10.	10-245	fastening strip (type VA)
11.	10-246	fastening strip (type VA)
12.	06-003	lockring M 6 (type VA)
13.	06-011	spring disc M 6 (type VA)
14.	00-006	bolt M 6 x 12 (type VA)
15.	00-046	bolt M 6 x 8, round head (type VA)
16.	00-132	bolt M 6 x 13, special type (type VA)
17.	07-023	speednut SF 02972
18.	46-050	rubber ring \emptyset 15 x 5 x 5 (type V)
19.	46-298	rubber ring \emptyset 15 x 5 x 3

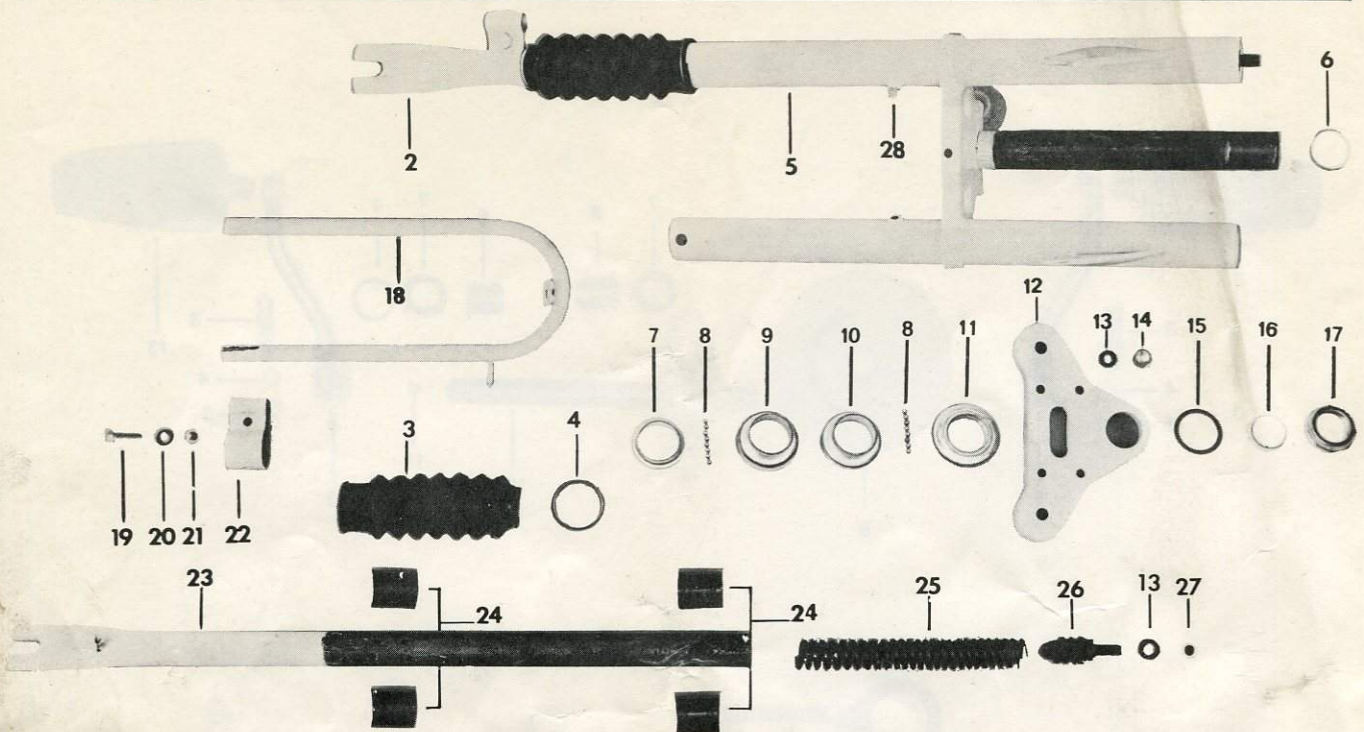
CRANK, CRANKAXLE, CHAIN



ILL. No.	Part No.	DESCRIPTION
1.	44-382-02	left side pedal nr. 510
2.	14-073	left side crank
3.	08-017	cotter nr. 29023
4.	06-032	lockring M 7
5.	02-038	nut M 7
6.	46-279	dust protector
7.	24-073	lockring \varnothing 28 x 16, 2 x 1
8.	46-197	bearing nr. 2896/16, L = 22 mm
9.	46-285	distance bush \varnothing 22 x 2,5 L = 16, 5 mm
10.	24-103-01	crank axle with chainwheel (T = 26)
11.	40-093	grease nipple
12.	14-074	right side crank
13.	44-382-01	right side pedal nr. 510
14.	45-009	chain tensioner M 7, L = 57 mm
	45-174	chain, engine transmission 1/2 x 3/16", 88 rolls with connecting link
	45-066	chain, pedal transmission 1/2 x 1/8", 82 rolls with connecting link

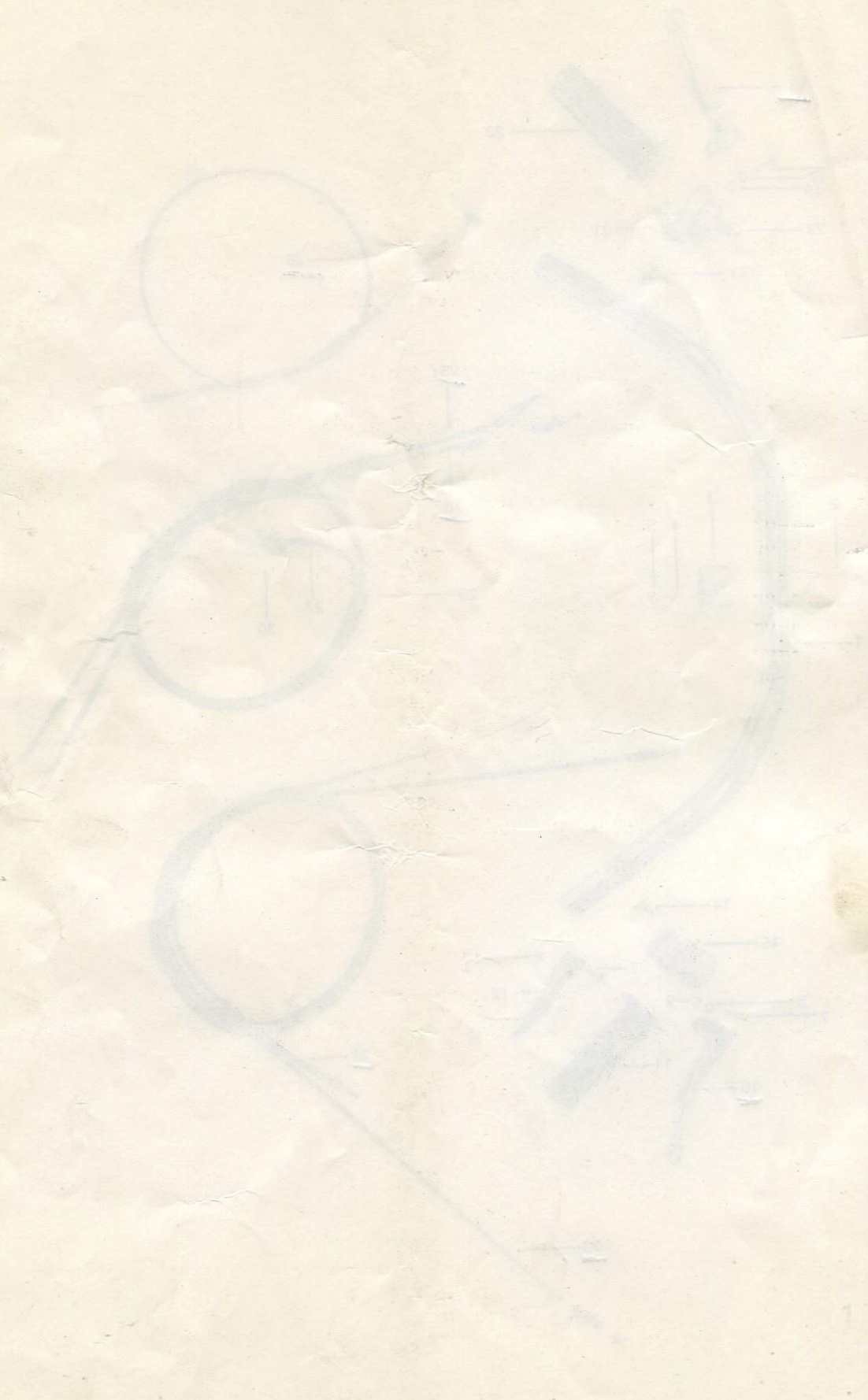
FRONT FORK

CRANK, BRAKEXLE, CHAIN

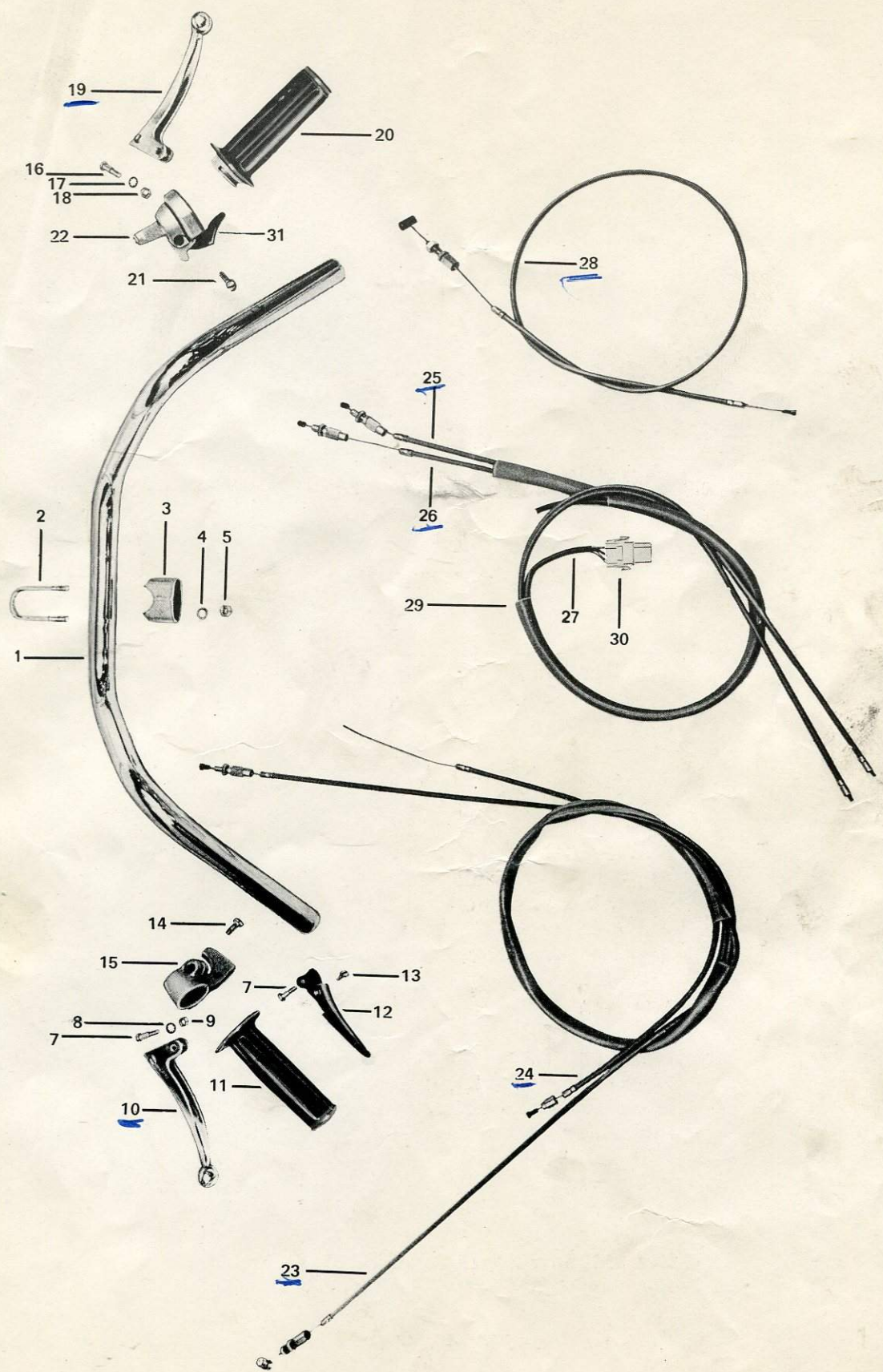


ILL. No.	Part No.	DESCRIPTION
-	56-224	frontfork, assy
2.	56-224-01	right side inner fork leg
3.	46-158	dust bellows
4.	44-376	spring clip
5.	56-224-03	fork leg with crownplate
6.	46-117	starring BN 26.5 x 1.0
7.	47-043-01	fork cone
8.	47-003	balls, 5/32"
9.	47-043-02	down bearing shell
10.	47-043-03	upper bearing shell
11.	47-043-04	adjusting cone
-	47-043	ballheadset, assy
12.	47-065	crown plate
13.	06-004	lockring M 8
14.	02-014	nut
15.	06-055	lockring \emptyset 32 x \emptyset 25,5 x 2
16.	46-306	plastic closing ring nr. B 26-23.5
17.	02-059	open ballheadnut Nr. 7
18.	12-186	stabilizer
19.	00-008	bolt M 6 x 20
20.	06-011	spring disc M 6
21.	02-003	nut M 6
22.	56-224-04	stabilizer clip
23.	56-224-02	left side inner fork leg with brake guard
24.	46-335	bearing plate
25.	44-473	spring
26.	44-473-01	threaded plug for spring
27.	02-057	nut
28.	40-130	grease nipple

HANDLEBAR, TWISTGRIP, BRAKE, START CHOKE-LEVER(S), CABLES

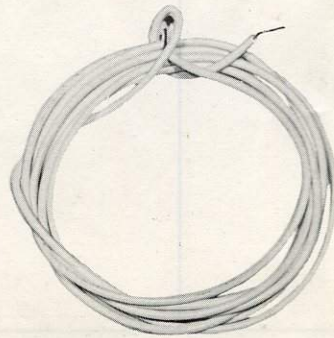
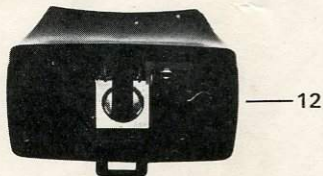
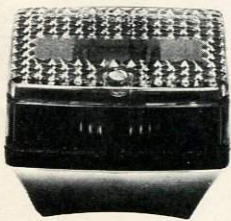
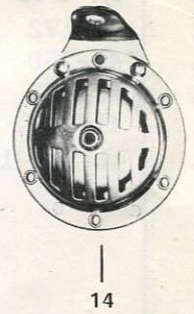
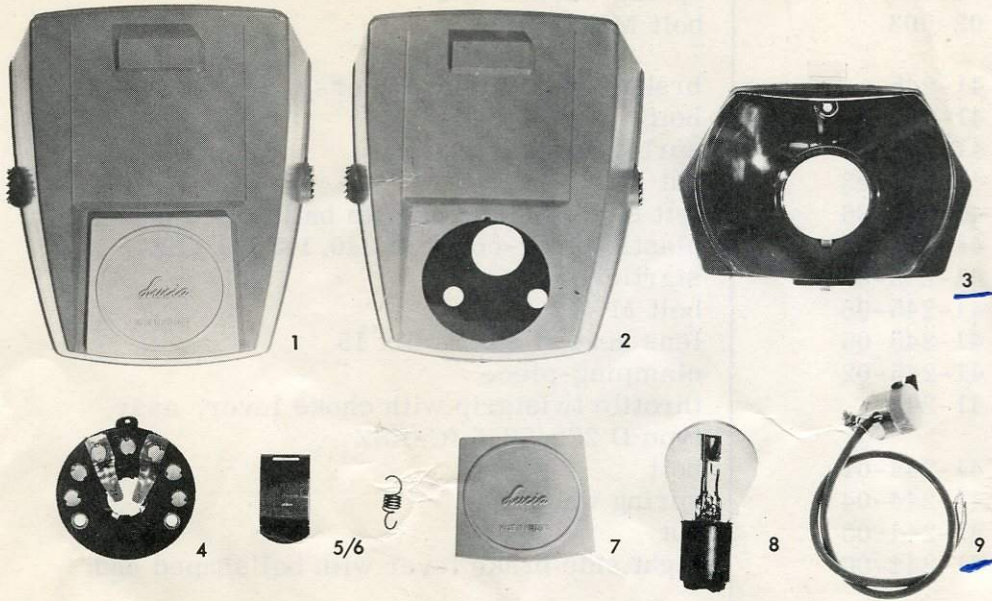


HANDLEBAR, TWISTGRIP, BRAKE-, START- CHOKE-LEVER(S), CABLES



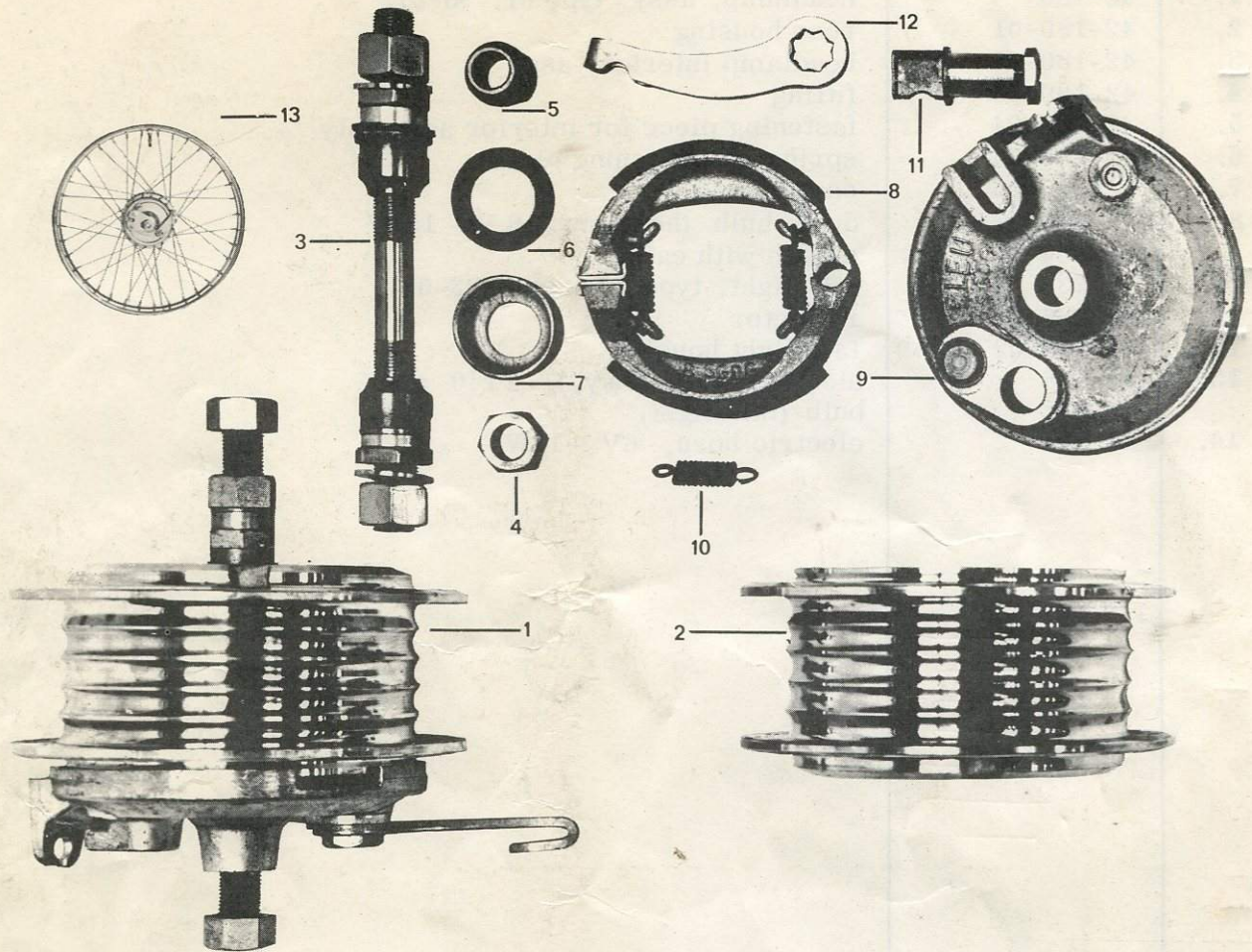
ILL.No.	Part No.	DESCRIPTION
1.	12-267	handlebar
2.	46-051	fastening clip
3.	46-287	clip housing
4.	06-011	spring washer M 6
5.	02-003	bolt M 6
7.	41-245	brake- and startlever, assy, type H 209-21-6
8.	41-245-01	bolt
9.	41-245-04	spring washer
9.	41-245-03	nut
✓ 10.	41-245-06	left side brakelever with ballshaped end
11.	41-175	plastic lever-cover D 240.1-10.5 KSZ
12.	41-245-07	startlever
13.	41-245-08	bolt M 4
14.	41-245-05	lens headed bolt M 6 x 15
15.	41-245-02	clamping-piece
	41-244	throttle twistgrip with choke lever, assy. type D 270.52.6 IC/KSZ
16.	41-244-01	bolt
17.	41-244-04	spring washer
18.	41-244-03	nut
✓ 19.	41-244-06	right side brake lever with ballshaped end
20.	41-244-07	throttle handle
20a.	41-244-08	plastic handle
21.	41-244-05	bolt
22.	41-244-02	clamping-piece with choke lever
✓ 23.	41-249	rear brake cable, assy
✓ 24.	41-247	start cable, assy
✓ 25.	41-248	throttle cable, assy
✓ 26.	41-246	Choke cable
27.	42-172	electric wiring, assy
✓ 28.	41-250	frontbrake cable, assy
29.	42-173	cable cover
30.	41-284	plug, assy
31.	41-244-10	chokelever

HEADLAMP, TAIL-LIGHT, ELECTRIC HORN



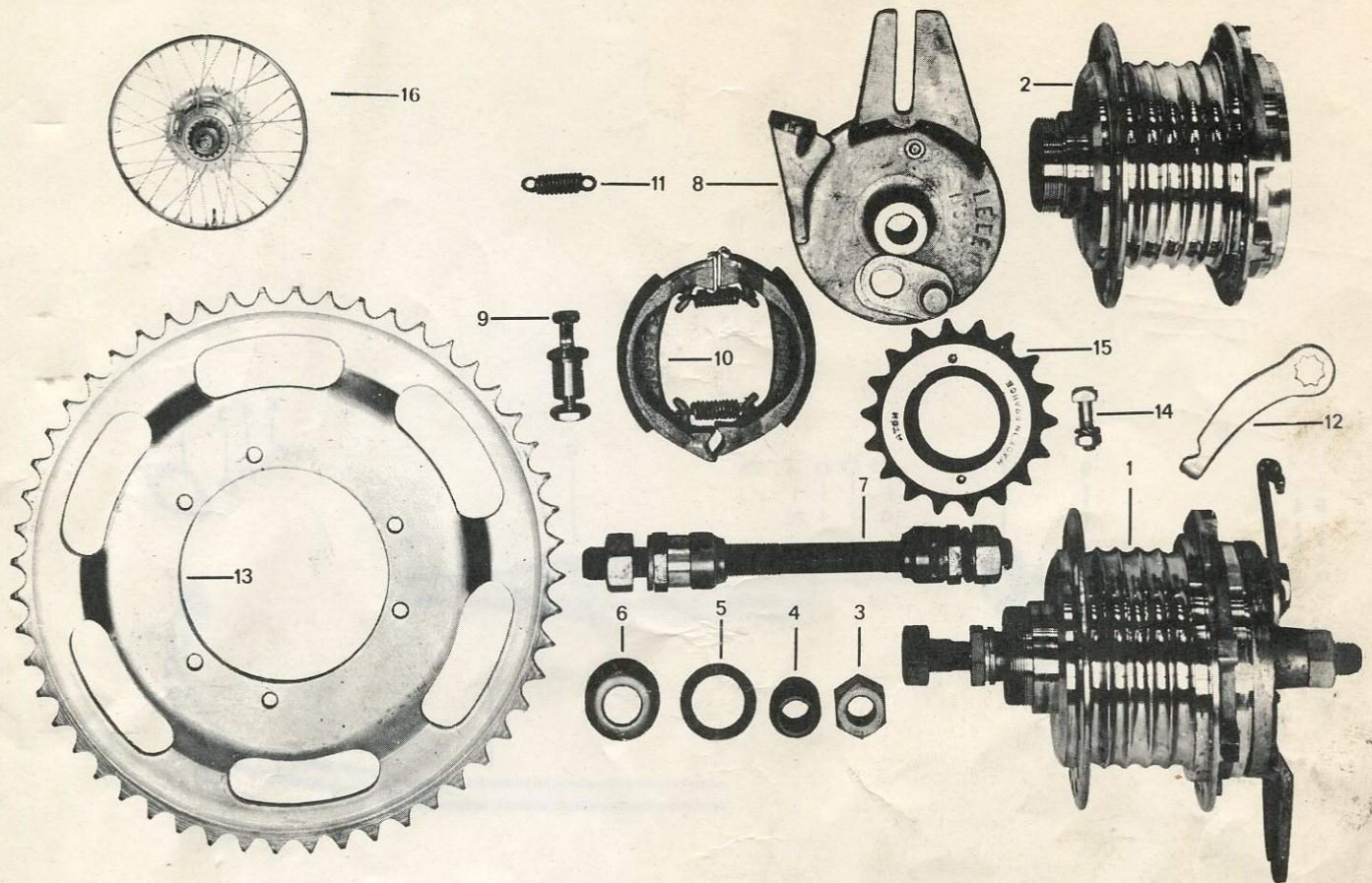
ILL. No.	Part No.	DESCRIPTION
1.	42-180	headlamp, assy, type nr. 96-012
2.	42-180-01	rear housing
3.	42-180-02	headlamp interior, assy
4.	42-180-03	fitting
5.	42-180-04	fastening piece for interior assembly
6.	42-180-05	spring for fastening piece
7.	42-180-06	cover plate
8.	42-180-07	duplo bulb (headlamp) 6 V - 15 W
9.	42-080	switch with cable
10.	42-238	tail-light, type ULO nr. 223-64
11.	42-238-01	reflector
12.	42-238-02	tail-light housing
13.	42-168	electric wire, assy, L= 1140 mm
13.	42-078	bulb (tail-light)
14.	41-296	electric horn, 6V - 18W

FRONT WHEEL



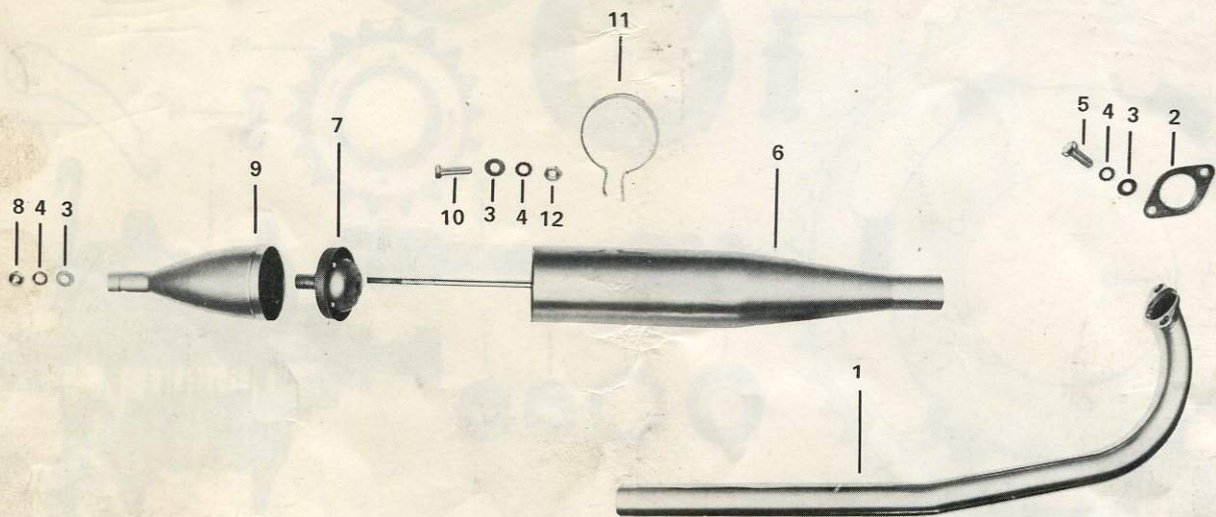
ILL. No.	Part No.	DESCRIPTION
1.	40-089	front hub, assy, type Leleu nr. 1913
2.	40-089-01	hub shell
3.	40-089-02	front spindle, assy (incl. cones and nuts)
<u>4.</u>	40-089-03	spindle nut
<u>5.</u>	40-089-04	spindle cone
6.	40-089-05	dust ring
7.	40-089-06	cup
<u>8.</u>	40-089-07	pair brake shoes, assy
9.	40-089-08	brake plate
10.	40-089-09	brake shoe spring
11.	40-089-10	brake cam
12.	40-089-11	brake lever
13.	56-135	front wheel assy
-	40-168	rim, 16"
-	40-171	spokes, nr. 12-160, per gross
-	48-124	tyre 20" x 2.00
-	48-133	tube 20" x 2.00
-	48-116	tube bandage 20" x 1½

REAR WHEEL



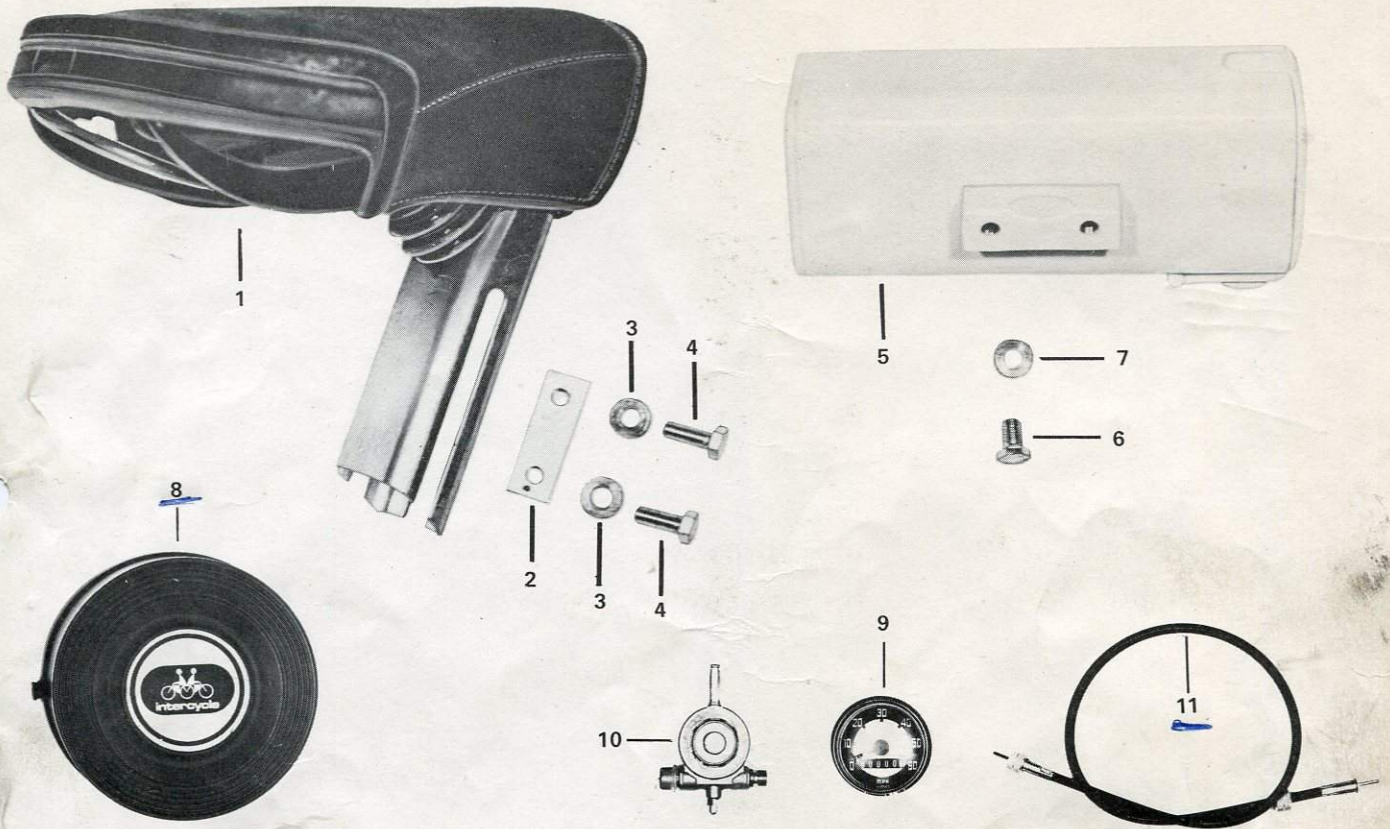
ILL. No.	Part No.	DESCRIPTION
1.	40-091	rear hub, assy (excl. chainwheel), type Leleu nr. 2128
2.	40-091-01	hub shell
3.	40-091-02	spindle nut
4.	40-091-03	spindle cone
5.	40-091-04	dust ring
6.	40-091-05	cup
7.	40-091-12	rear spindle, assy (incl. cones and nuts)
8.	40-091-06	brake plate
9.	40-091-07	brake cam
10.	40-091-08	pair brake shoes, assy
11.	40-091-09	brake shoe-spring
12.	40-091-10	brake lever
13.	44-346	chainwheel, T = 46
14.	40-091-11	fastening bolt with nut for chainwheel
15.	40-098	freewheel 1/2 x 1/8", T = 20
16.	56-136	rear wheel, assy
-	40-168	rim 16"
-	40-172	spokes nr. 11-166, per gross
-	40-146	spokes nr. 11-164, per gross
-	48-124	tyre 20" x 2.00
-	48-133	tube 20" x 2.00
-	48-116	tube bandage 20" x 1 1/2

EXHAUST PIPE, SILENGER



ILL. No.	Part No.	DESCRIPTION
1.	16-098	exhaust pipe \varnothing 28 x 1,5 L = 500 mm
2.	46-141	exhaust gasket, type 35
3.	06-003	lockring M 6
4.	06-011	spring washer M 6
5.	00-142	bolt M 6 x 20 RVS
6.	16-097	silencer, assy
7.	16-097-03	front part of silencer
8.	16-097-02	inner silencer
9.	02-038	nut M 7
10.	16-097-01	rear part of silencer
11.	00-010	bolt M 6 x 30
12.	16-100	clip for silencer \varnothing 60 mm
	02-003	nut M 6

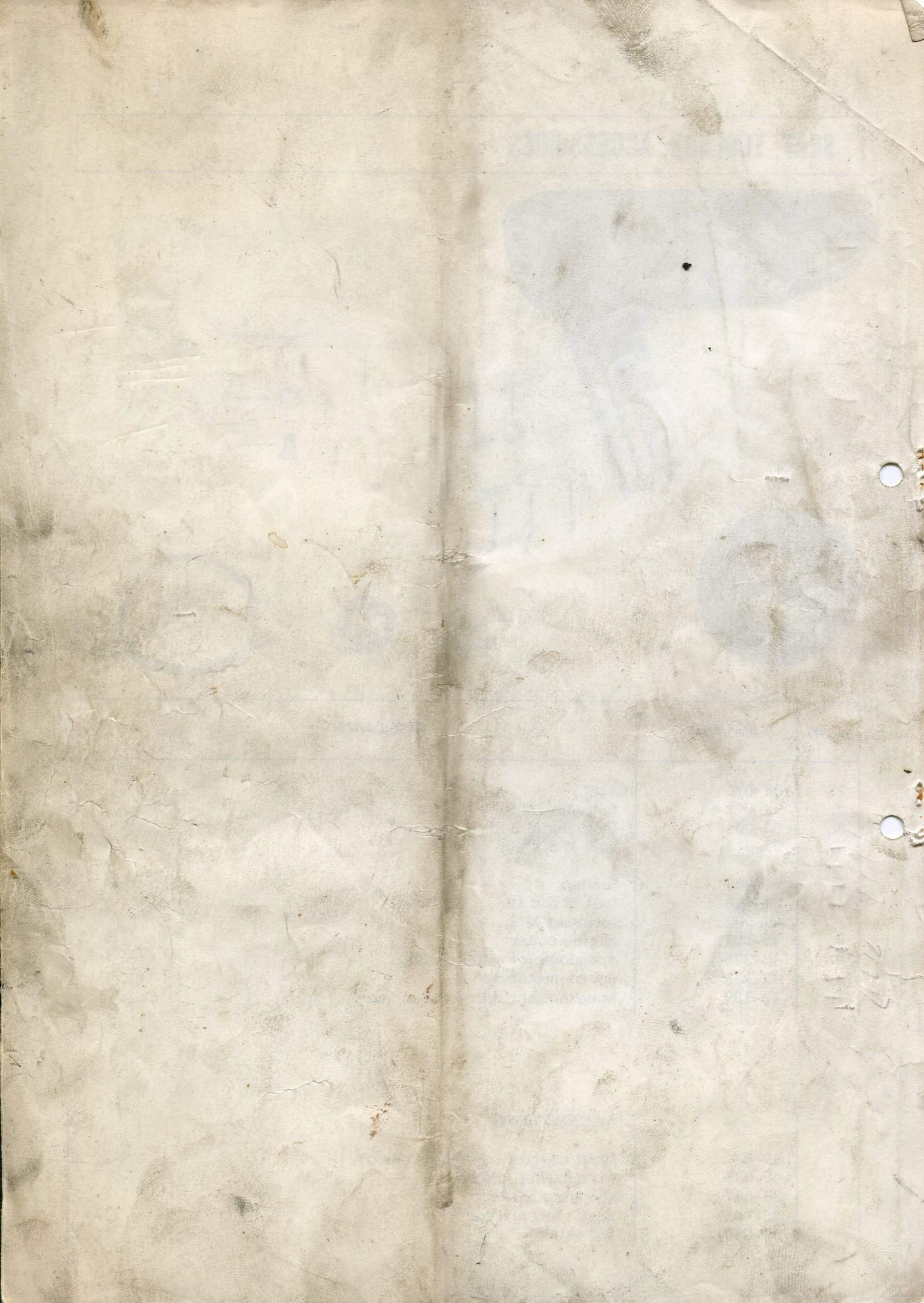
SEAT, TOOLBOX, ACCESSORIES



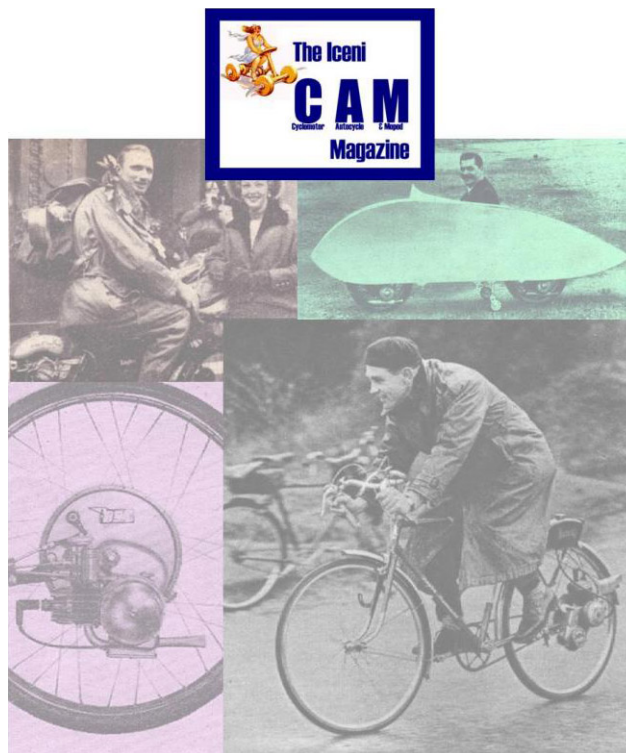
ILL. No.	Part No.	DESCRIPTION
1.	54-071	seat
2.	54-071-01	fastening plate
3.	06-004	lockring M 8
4.	02-014	bolt M 8 x 20
5.	86-006	toolbox
6.	00-040	bolt M 5 x 10
7.	06-002	lockring M 5
8.	45-196	engine cover
9.	42-239	speedometer VDO (mph)
10.	42-138	speedometer drive
11.	42-137	speedometer drive cable, assy

ACCESSORIES

49-034	front carrier, assy (chromed)
49-035	wire basket (chromed)
86-007	shopping basket
86-008	rear view mirror
56-029	leg shield



IceniCAM On-Line Library



www.icenicam.org.uk