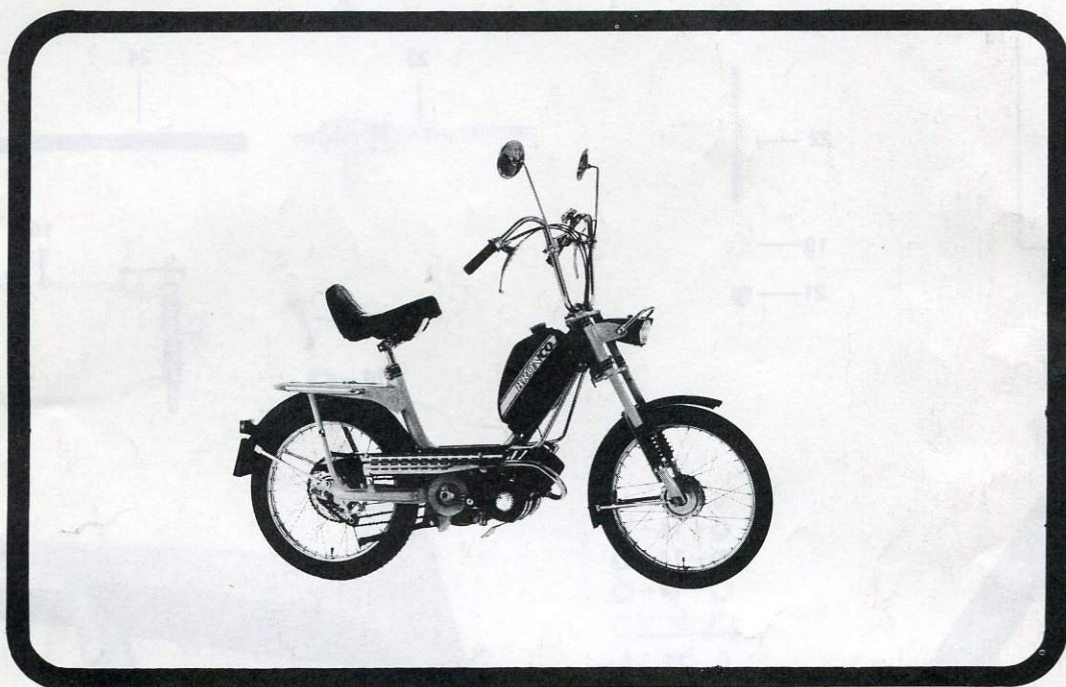


SPARE PARTS CATALOGUE

BRONCO



Contents:

Frame, Fuel Tank, Stand.....	2 - 3
Engine Support.....	4
Front and Rear Mudguard.....	5
Engine and Exhaust Cover Shield.....	6
Crank, Crankaxle, Chain.....	7
Headlamp, Tail-light, Electric Horn.....	8 - 9
Handlebar, Twistgrip, Brake-, Start-, Choke-, Lever cables..	10 - 11
Front Fork.....	12
Front Wheel.....	13
Rear Wheel.....	14
Exhaust Pipe, Silencer.....	15
Seat, Engine Cover, Speedometer, Accessories	16

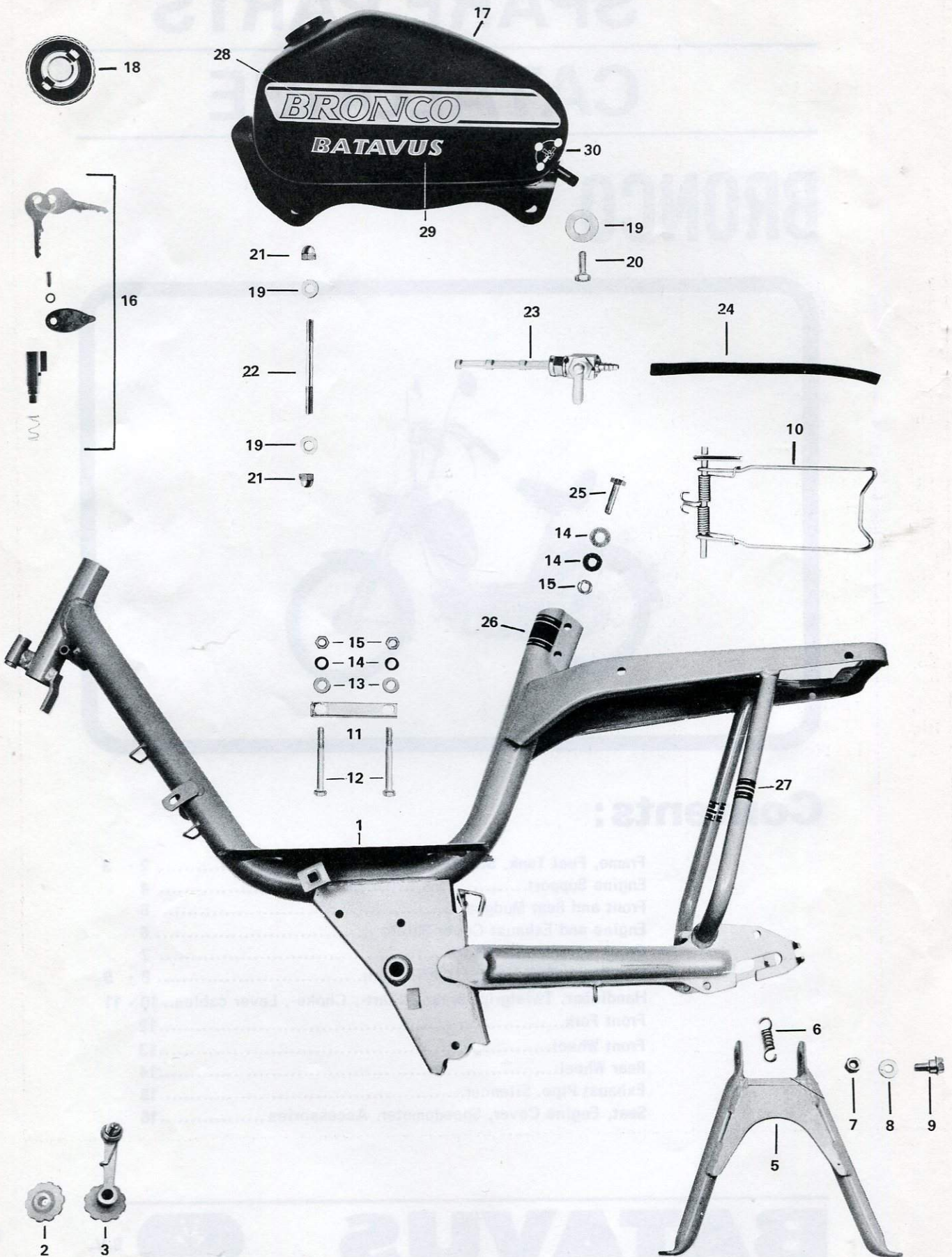
BATAVUS



B.V.

HEERENVEEN - HOLLAND

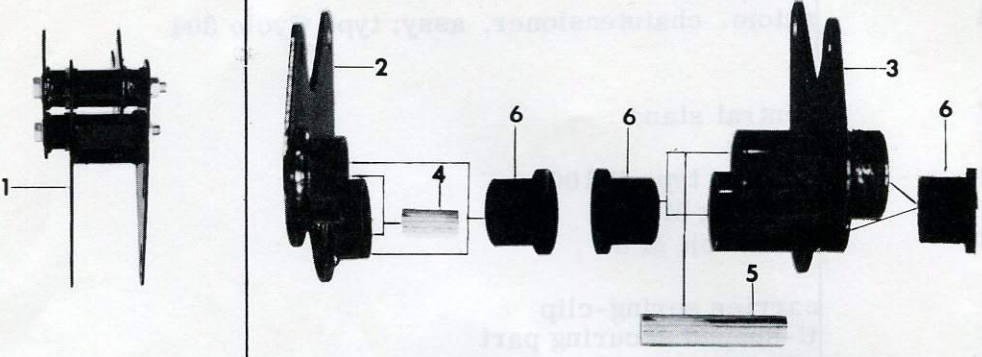
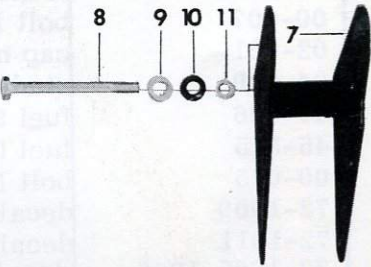
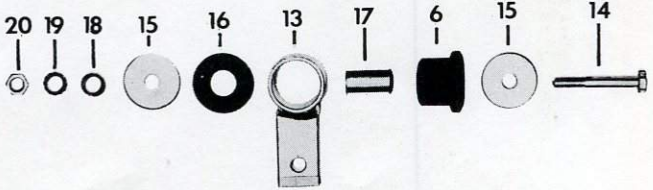
FRAME, FUEL TANK, STAND



ENGINE SUPPORT

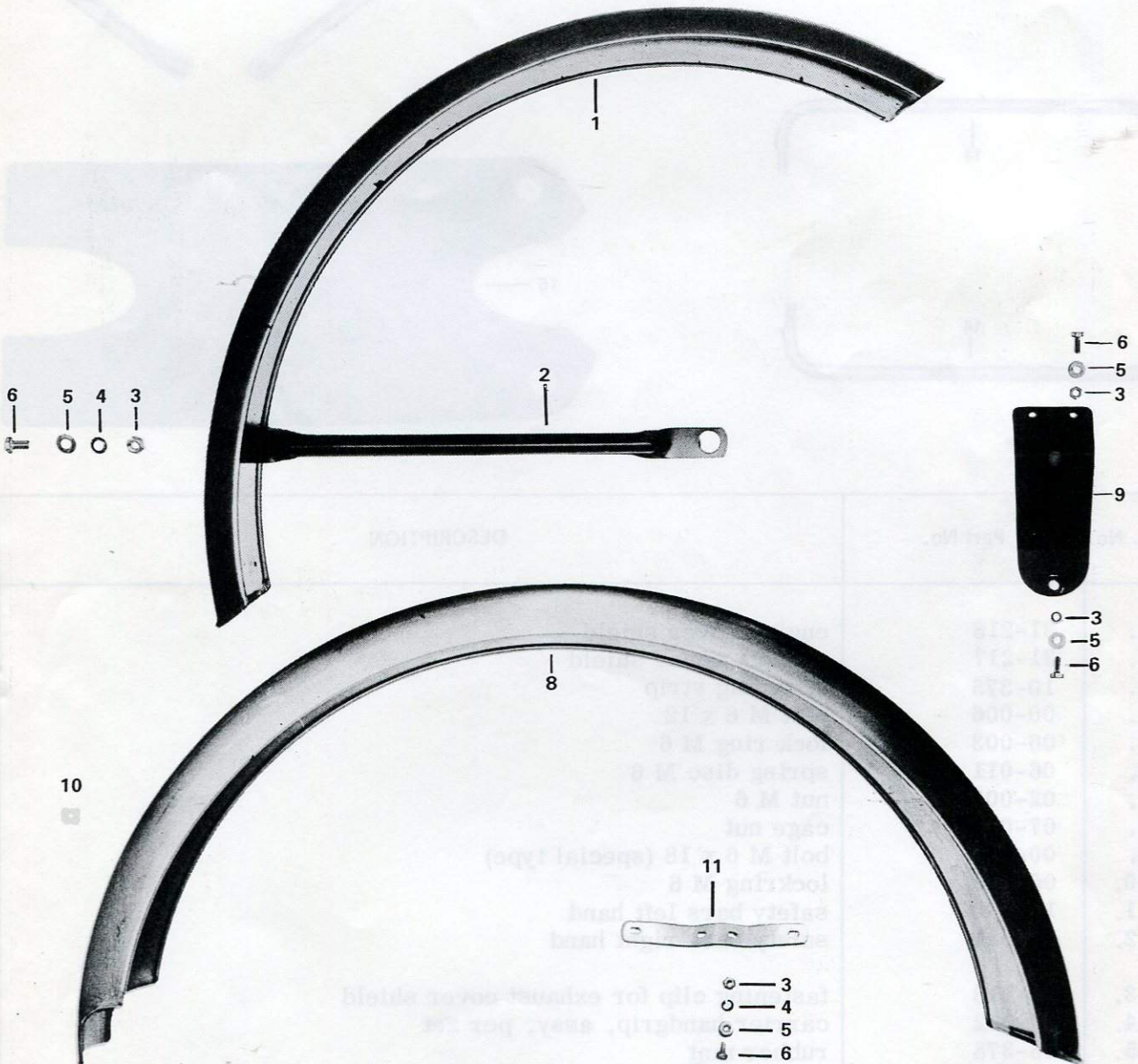
ILL. No.	Part No.	DESCRIPTION
1.	56-421	frame
2.	49-124-01	chainwheel
3.	49-124	autom. chaintensioner, assy; type Cyclo 304
5.	56-087	central stand
6.	44-405	spring
7.	02-070	nut M 8 type H 100
8.	06-004	lockring M 8
9.	00-133	stand bolt M 8
10.	13-096	carrier spring-clip
11.	46-174	U-shaped securing part
12.	00-024	bolt M 8 x 65
13.	06-004	lockring M 8
14.	06-009	spring disc M 8
15.	02-004	nut M 8
16.	44-425	head-lock, assy nr. Mo 0225
17.	33-042-01	fuel tank
18.	44-018	tank cap nr. 154/30 mm
19.	06-014	lockring M 6 (big size)
20.	00-007	bolt M 6 x 16
21.	02-021	cap nut M 6
22.	04-009	stud M 6 x 85
23.	44-406	fuel tap R 99 S/sin
24.	46-315	fuel tube \emptyset 8,5 x 3,5 x 280
25.	00-015	bolt M 8 x 25
26.	72-1009	decal
27.	72-1011	decal
28.	72-1005-1006	decal Bronco, per set
29.	72-1036	decal Batavus
30.	72-966	decal fuel tap

ENGINE SUPPORT

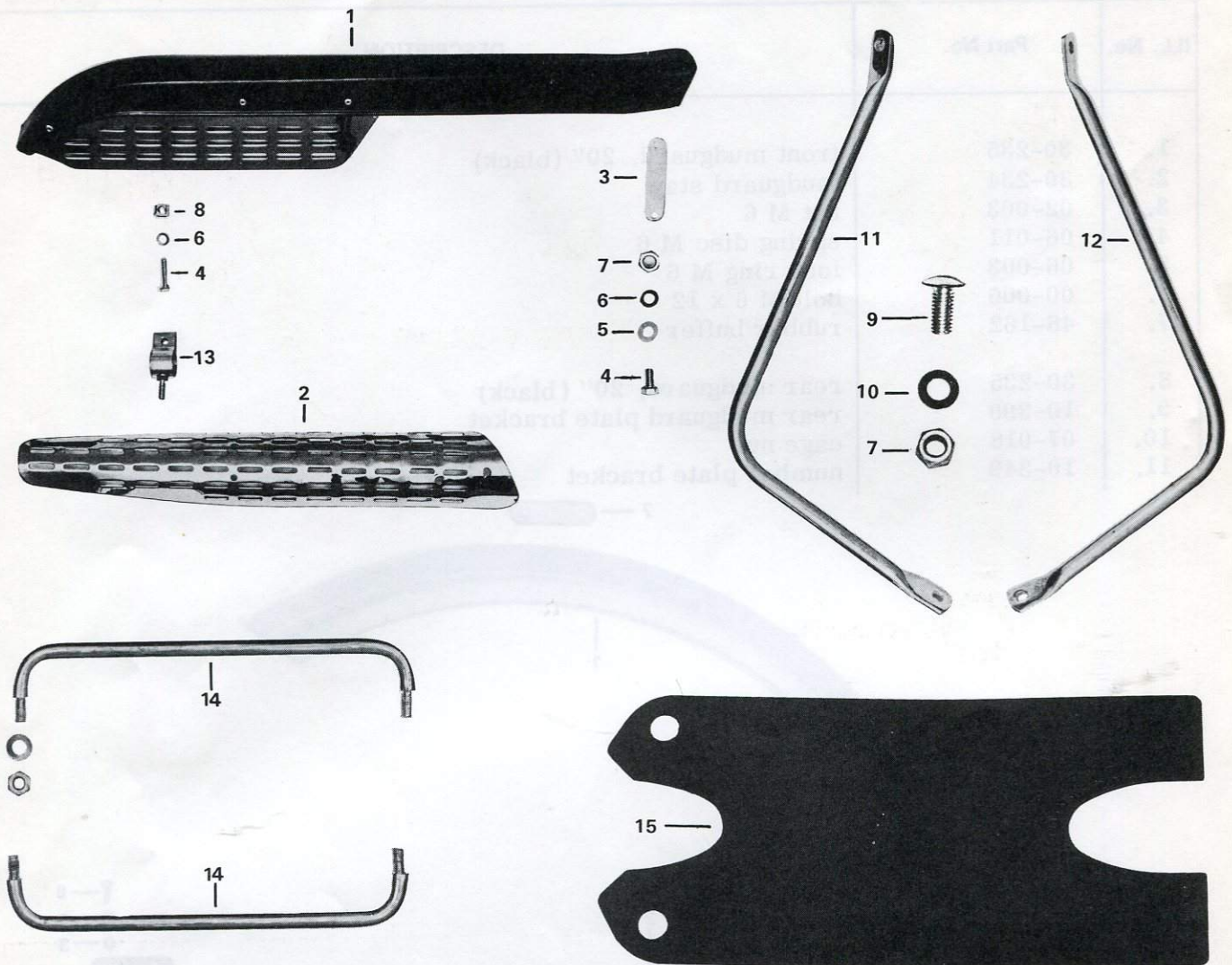
ILL.No.	Part No.	DESCRIPTION
1. 2. 3. 4. 5. 6.	10-342 10-342-01 10-342-02 46-310 46-309 46-313	 <p>engine support bracket with rubber mountings, assy. left side engine support right side engine support spacer tube spacer tube rubber sleeve</p>
7. 8. 9. 10. 11.	10-342-03 00-147 06-004 06-009 02-004	 <p>engine support cradle bolt M 8 x 85 mm washer M 8 spring washer A 8 nut M 8</p>
12. 13. 14. 15. 16. 17. 18. 19. 20.	10-389 10-389-01 00-063 06-085 46-314 46-382 06-003 06-011 02-003	 <p>exhaust bracket assy. exhaust bracket bolt M 6 x 40 washer $\varnothing 26 \times \varnothing 6,5 \times 2,5$ rubber ring spacer tube washer M 6 spring washer M 6 nut M 6</p>

FRONT AND REAR MUDGUARD

ILL. No.	Part No.	DESCRIPTION
1.	30-235	front mudguard, 20" (black)
2.	30-234	mudguard stay
3.	02-003	nut M 6
4.	06-011	spring disc M 6
5.	06-003	lock ring M 6
6.	00-006	bolt M 6 x 12
7.	46-162	rubber buffer
8.	30-235	rear mudguard, 20" (black)
9.	10-390	rear mudguard plate bracket
10.	07-018	cage nut
11.	10-349	number plate bracket

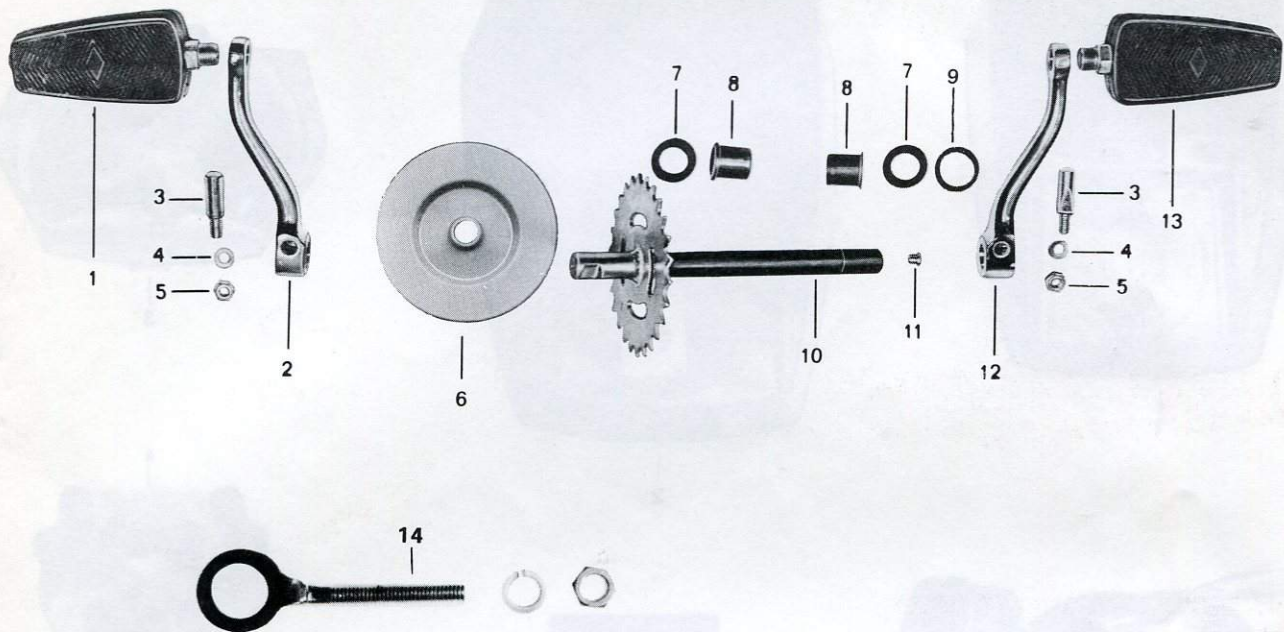


ENGINE AND EXHAUST COVER SHIELD



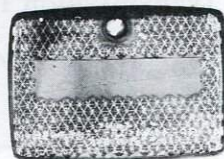
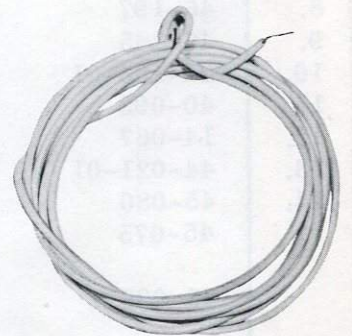
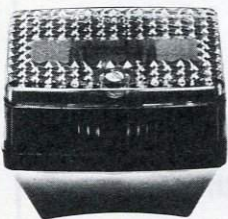
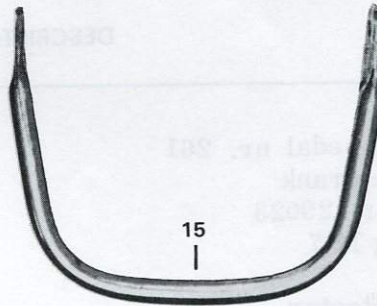
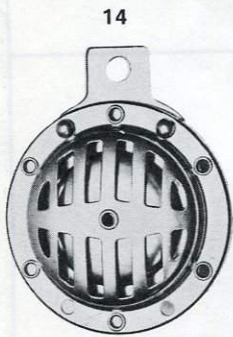
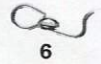
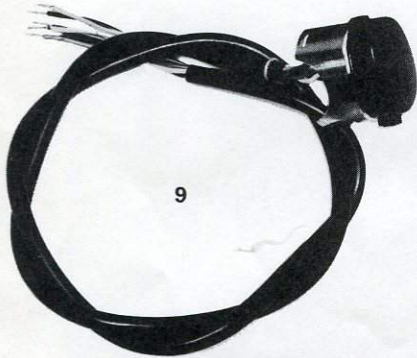
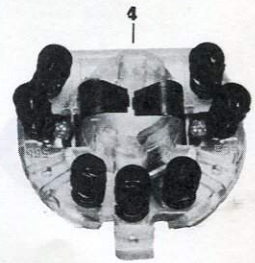
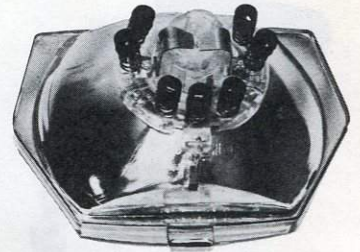
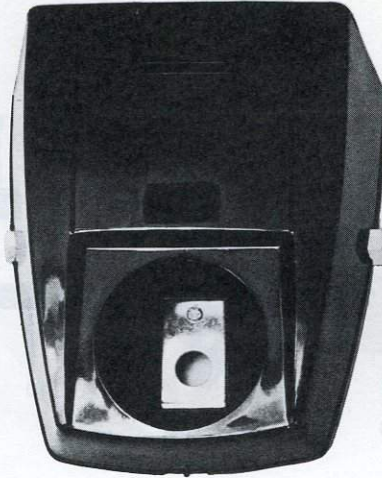
ILL. No.	Part No.	DESCRIPTION
1.	31-218	engine cover shield
2.	31-217	exhaust cover shield
3.	10-375	fastening strip
4.	00-006	bolt M 6 x 12
5.	06-003	lock ring M 6
6.	06-011	spring disc M 6
7.	02-003	nut M 6
8.	07-018	cage nut
9.	00-143	bolt M 6 x 18 (special type)
10.	06-088	lockring M 6
11.	17-030	safety bars left hand
12.	17-031	safety bars right hand
13.	16-113	fastening clip for exhaust cover shield
14.	17-032	carrier handgrip, assy, per set
15.	46-378	rubber mat

CRANK, CRANKAXLE, CHAIN



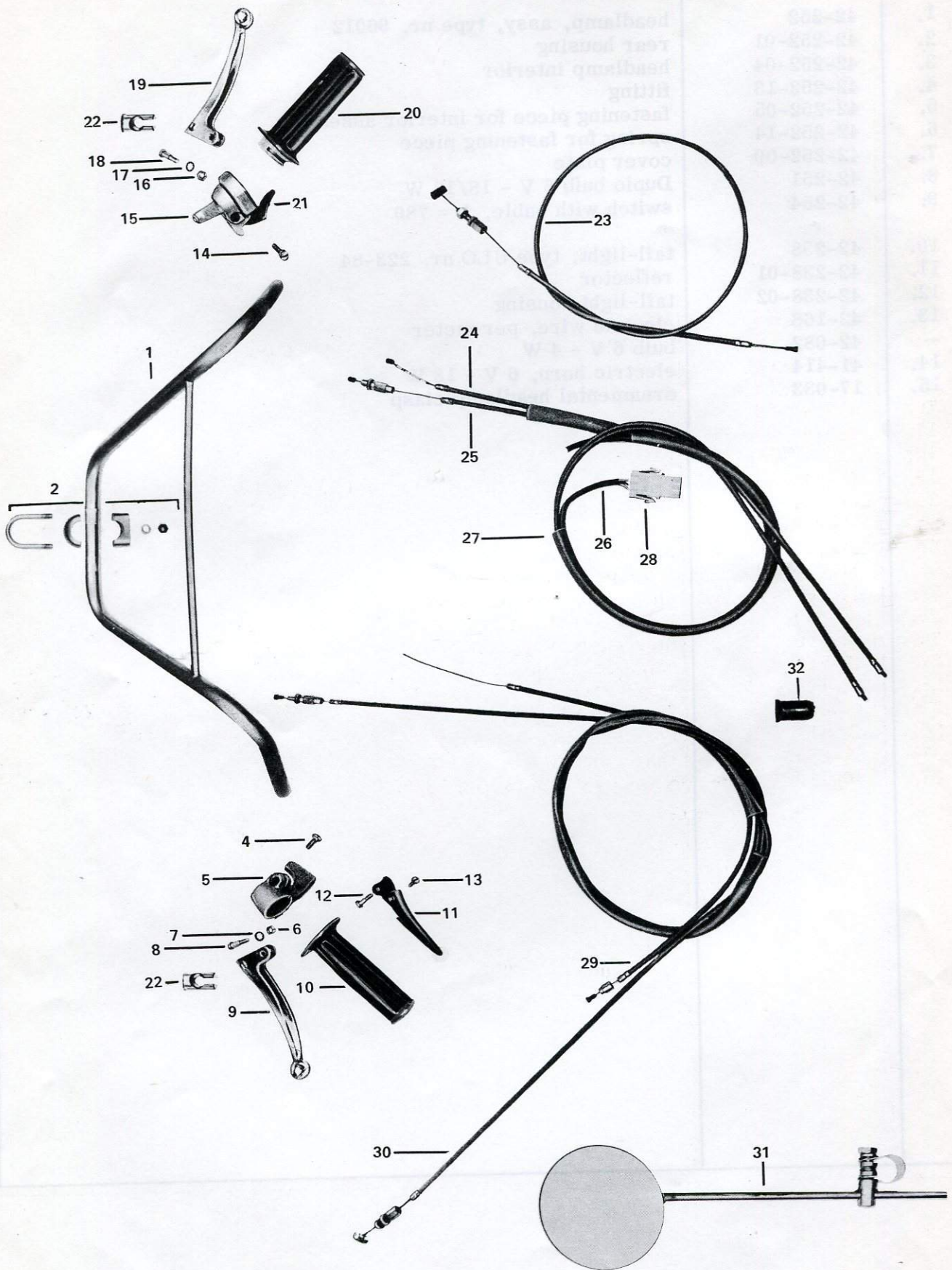
ILL.No.	Part No.	DESCRIPTION
1.	44-021-02	left side pedal nr. 261
2.	14-066	left side crank
3.	08-001	cotter nr. 29023
4.	06-032	lockring M 7
5.	02-038	nut M 7
6.	46-279	dust protector
7.	24-073	lockring \emptyset 28 x 16, 2 x 1
8.	46-197	bearing nr. 2896/16, L = 22 mm
9.	46-285	distance bush \emptyset 22 x 2, 5, L = 16, 5 mm
10.	24-103-01	crank axle with chainwheel (T = 26)
11.	40-093	grease nipple
12.	14-067	right side crank
13.	44-021-01	right side pedal nr. 261
14.	45-086	chain tensioner M 7, L = 62 mm
	45-075	chain, engine transmission 1/2 x 3/16", 92 rolls with connecting link
	45-036	chain, pedal transmission 1/2 x 1/8", 84 rolls with connecting link

HEADLAMP, TAIL-LIGHT, ELECTRIC HORN



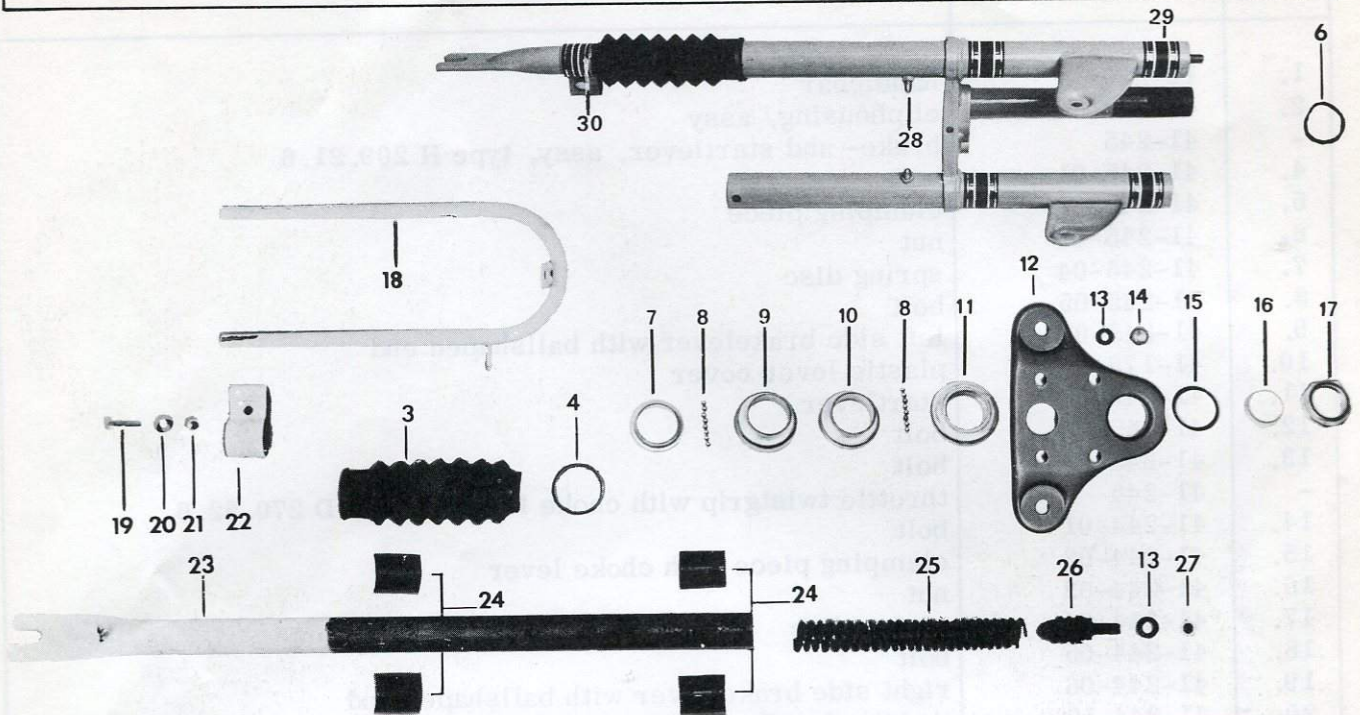
ILL. No.	Part No.	DESCRIPTION
1.	42-252	headlamp, assy, type nr. 96012
2.	42-252-01	rear housing
3.	42-252-04	headlamp interior
4.	42-252-13	fitting
5.	42-252-05	fastening piece for interior assembly
6.	42-252-14	spring for fastening piece
7.	42-252-09	cover plate
8.	42-251	Duplo bulb 6 V - 18/18 W
9.	42-254	switch with cable, L = 780
10.	42-238	tail-light, type ULO nr. 223-84
11.	42-238-01	reflector
12.	42-238-02	tail-light housing
13.	42-168	electric wire, per meter
-	42-082	bulb 6 V - 4 W
14.	41-414	electric horn, 6 V - 18 W
15.	17-033	ornamental headlamp clasp

HANDLEBAR, TWISTGRIP, BRAKE-, START-, CHOKE LEVER(S) CABLES



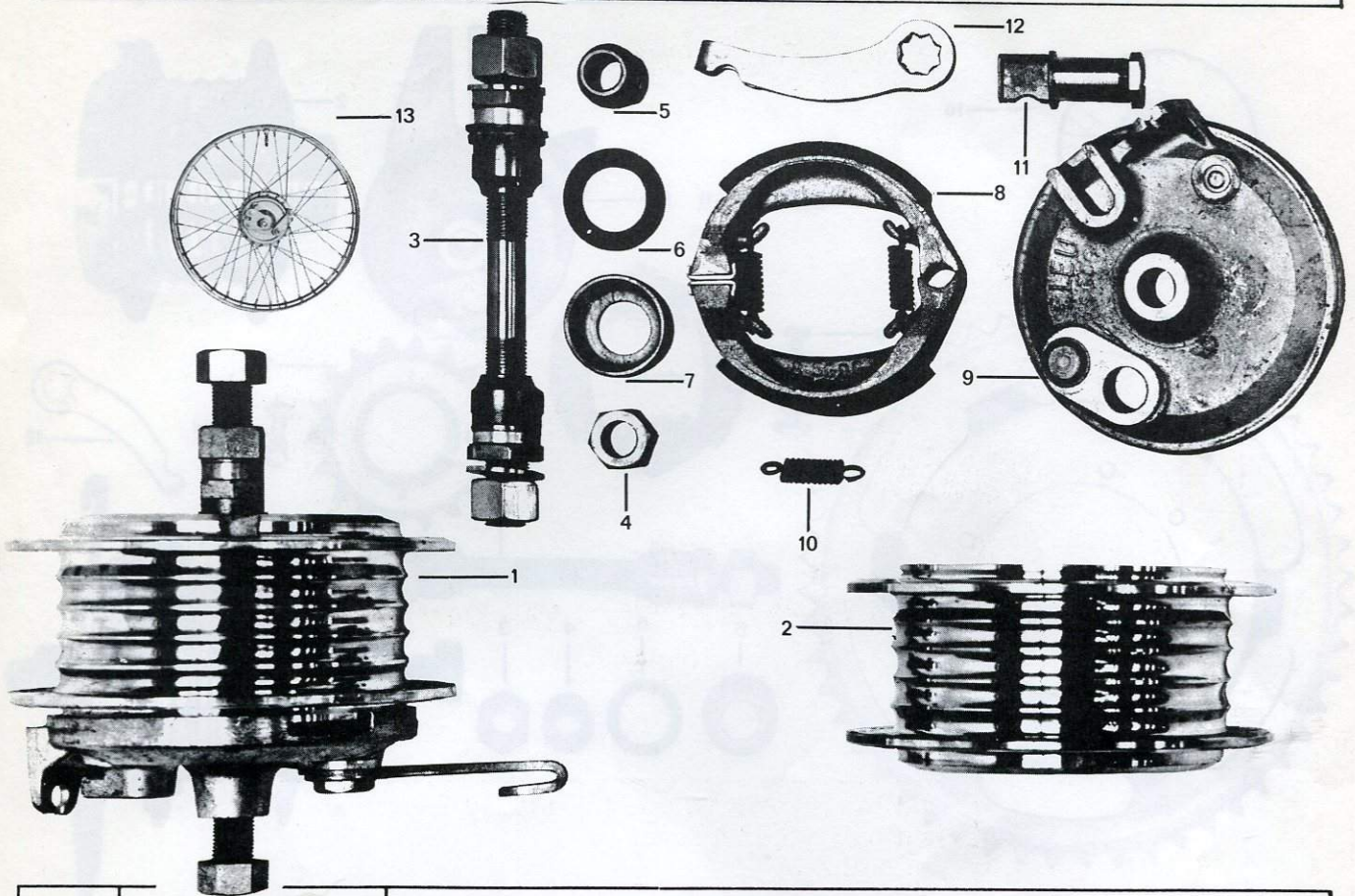
ILL. No.	Part No.	DESCRIPTION
1.	12-230	handlebar
2.	46-206	cliphousing, assy
-	41-245	brake- and startlever, assy, type H 209.21.6
4.	41-245-01	bolt
5.	41-245-02	clamping piece
6.	41-245-03	nut
7.	41-245-04	spring disc
8.	41-245-05	bolt
9.	41-245-06	left side brakelever with ballshaped end
10.	41-175	plastic lever cover
11.	41-245-07	startlever
12.	41-245-08	bolt
13.	41-245-09	bolt
-	41-244	throttle twistgrip with choke lever, assy, D 270.52.6
14.	41-244-01	bolt
15.	41-244-02	clamping piece with choke lever
16.	41-244-03	nut
17.	41-244-04	spring disc
18.	41-244-05	bolt
19.	41-244-06	right side brake lever with ballshaped end
20.	41-244-12	throttle handle
21.	41-244-10	choke lever
22.	41-117	nipple holder
23.	41-410	front brake cable, assy
24.	41-401	choke cable, assy
25.	41-400	throttle cable, assy
26.	42-172	electric wiring, assy
27.	42-248	cable cover per meter
28.	42-179	plug, assy
29.	41-404	start cable, assy
30.	41-411	rear brake cable, assy
31.	87-050	rear view mirror
32.	46-179	filter cap V 3723 Tob 16/70

FRONT FORK



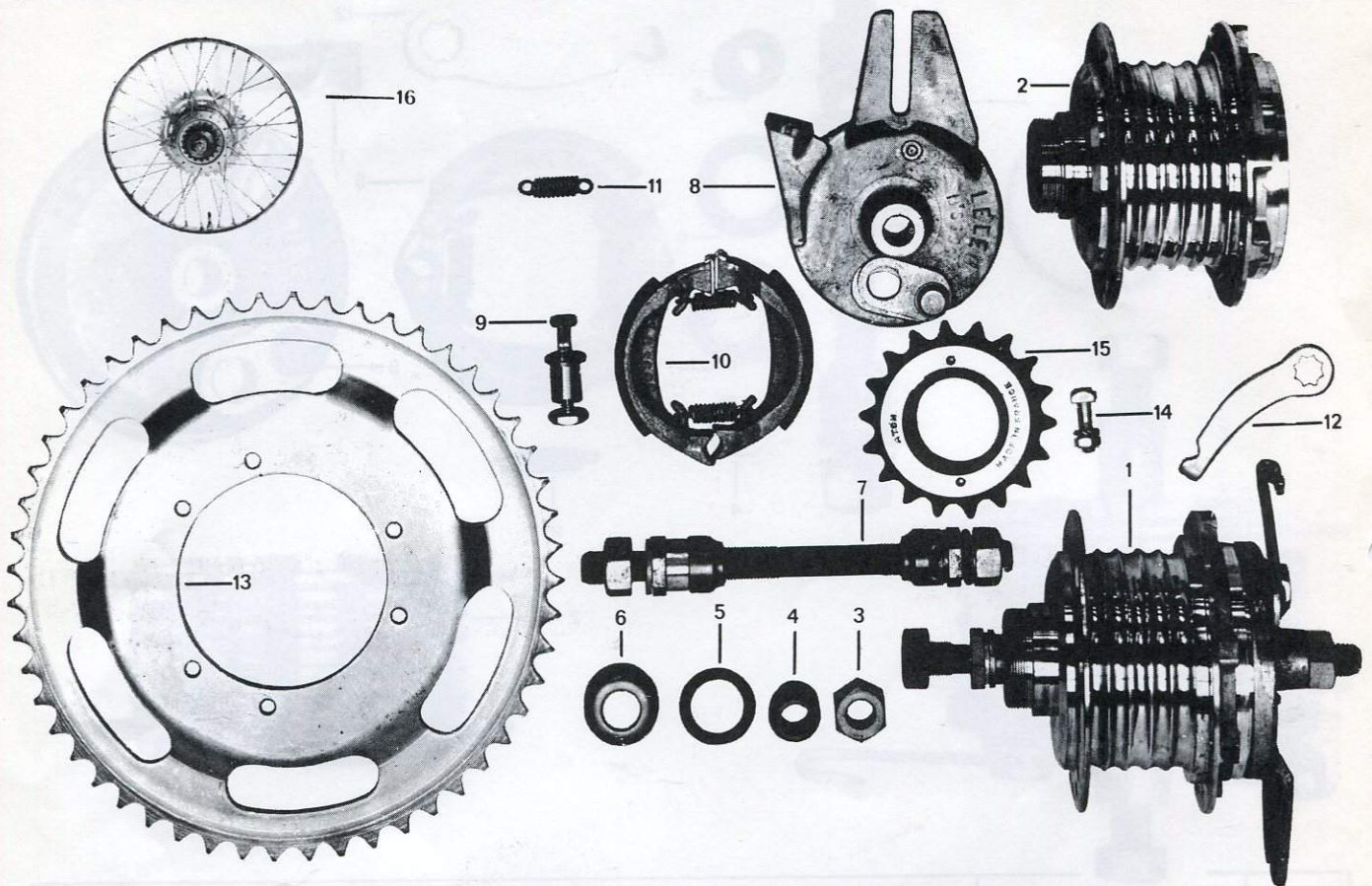
ILL. No.	Part No.	DESCRIPTION
-	56-414	frontfork, assy, type L & E nr. 1071
2.	56-224-01	right side inner forkleg
3.	46-158	dust bellows
4.	44-376	spring clip
5.	56-414-03	forkleg with crownplate
6.	46-117	starring BN 26.5 x 1.0
7.	47-043-01	fork cone
8.	47-003	balls, 5/32", per 100
9.	47-043-02	down bearing shell
10.	47-043-03	upper bearing shell
11.	47-043-04	adjusting cone
-	47-043	ballheadset, assy
12.	47-119	crown plate
13.	06-004	lockring M 8
14.	02-014	nut M 8
15.	06-055	lockring \emptyset 32 x \emptyset 25,5 x 1
16.	46-306	plastic closing ring nr. B 26-23.5
17.	02-059	open ballheadnut nr. 7
18.	12-186	stabilizer
19.	00-008	bolt M 6 x 20
20.	06-011	spring disc M 6
21.	02-003	nut M 6
22.	56-224-04	stabilizer clip
23.	56-224-02	left side inner forkleg
24.	46-335	bearing plate, assy
25.	44-473	spring
26.	44-473-01	threaded plug for spring
27.	02-057	nut M 8
28.	40-130	grease nipple
29.	72-1008	decal
30.	72-1010	decal

FRONT WHEEL



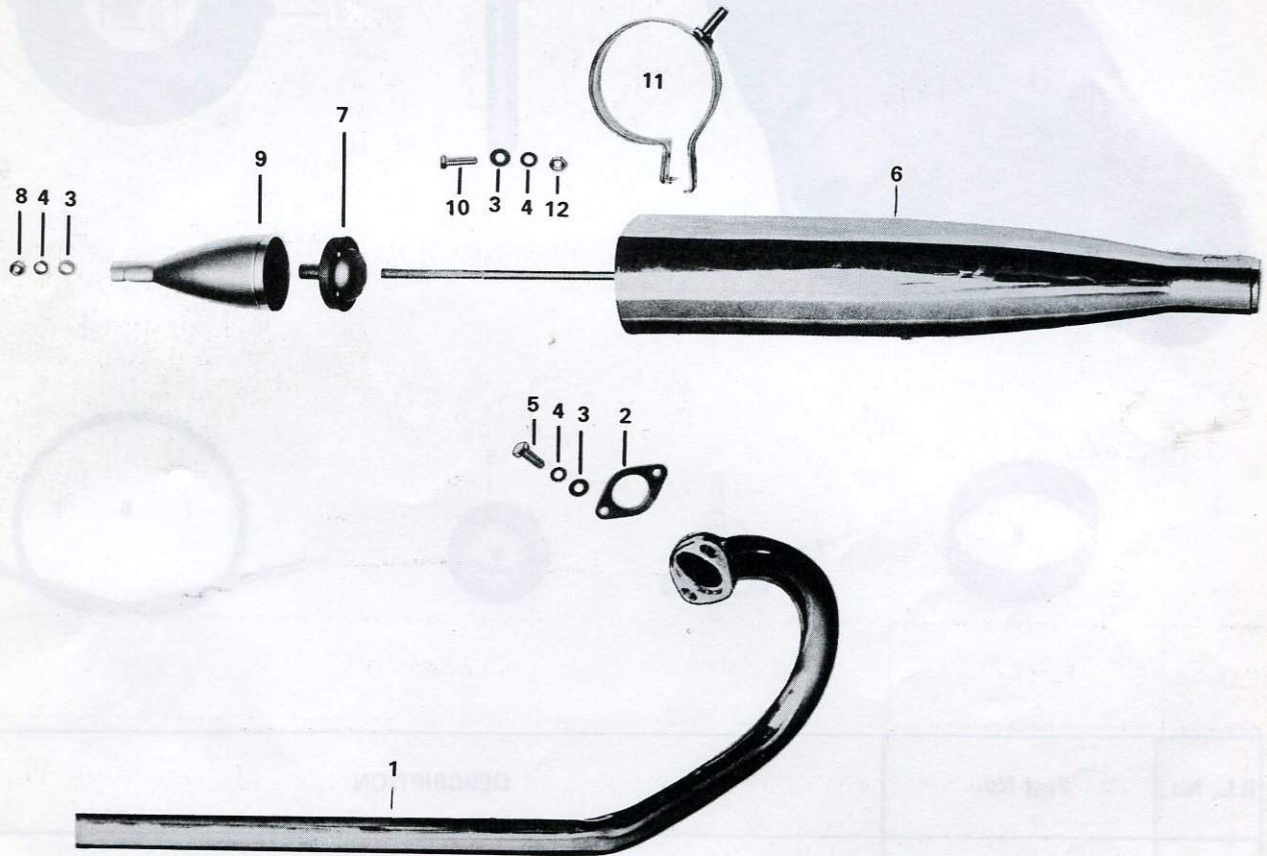
ILL. No.	Part No.	DESCRIPTION
1.	44-446	front hub, assy, type Leleu nr. 1913 (28)
2.	44-446-01	hub shell (28)
3.	44-229-02	front spindle, assy (incl. cones and nuts)
4.	44-229-03	spindle nut
5.	44-229-04	spindle cone
6.	44-229-05	dust ring
7.	44-229-06	cup
8.	44-229-07	pair brake shoes, assy
9.	44-229-08	brake plate
10.	44-229-09	brake shoe spring
11.	44-229-10	brake cam
12.	44-229-11	brake lever
13.	56-135-02	front wheel, assy
-	40-207	rim, 16" (OVS 44-28)
-	40-209	spokes, nr. 12-166, per gross
-	48-124	tyre 2-16
-	48-125	tube 2-16
-	48-116	tube bandage 20" x 1½
-	47-115	balls 7/32", per 100
1a.	44-229	front hub assy type Leleu nr. 1913 (36)
2a.	44-229-01	hub shell (36)
13a.	56-135-01	front wheel assy with hub 36 holes
	40-206	rim 16" (OVS 44-36)
	40-171	spokes nr. 12-160, for hub with 36 holes, per gross

REAR WHEEL



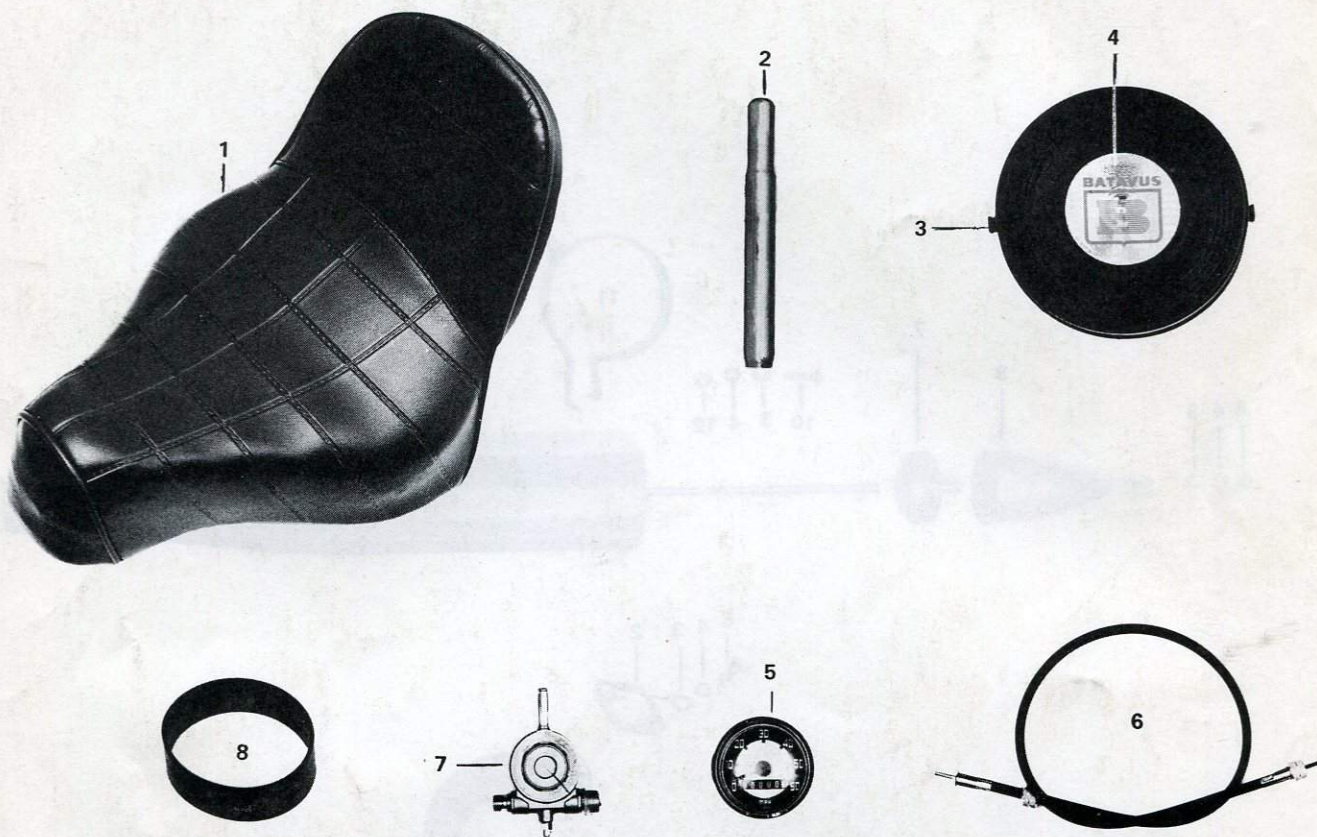
ILL. No.	Part No.	DESCRIPTION
1.	44-230	rear hub, assy (excl. chainwheel), type Leleu nr. 2128 (36)
2.	44-230-01	hub shell
3.	44-230-03	spindle nut
4.	44-230-04	spindle cone
5.	44-230-05	dust ring
6.	44-230-06	cup
7.	44-230-02	rear spindle, assy (incl. cones and nuts)
8.	44-230-08	brake plate
9.	44-230-10	brake cam
10.	44-230-07	pair brake shoes, assy
11.	44-230-09	brake shoe spring
12.	44-230-11	brake lever
13.	44-499	chainwheel, T = 48
14.	44-230-12	fastening bolt with nut for chainwheel
15.	49-020	freewheel 1/2 x 1/8", T = 18
16.	56-136-01	rear wheel, assy
-	40-206	rim 16" (OVS 44-36)
-	40-173	spokes nr. 11-164, per gross
-	40-210	spokes nr. 11-168, per gross
-	48-155	tyre 2 1/4-16
-	48-154	tube 2 1/2-16
-	48-116	tube bandage 20" x 1 1/2
-	47-016	balls 3/16", per 100

EXHAUST PIPE, SILENCER



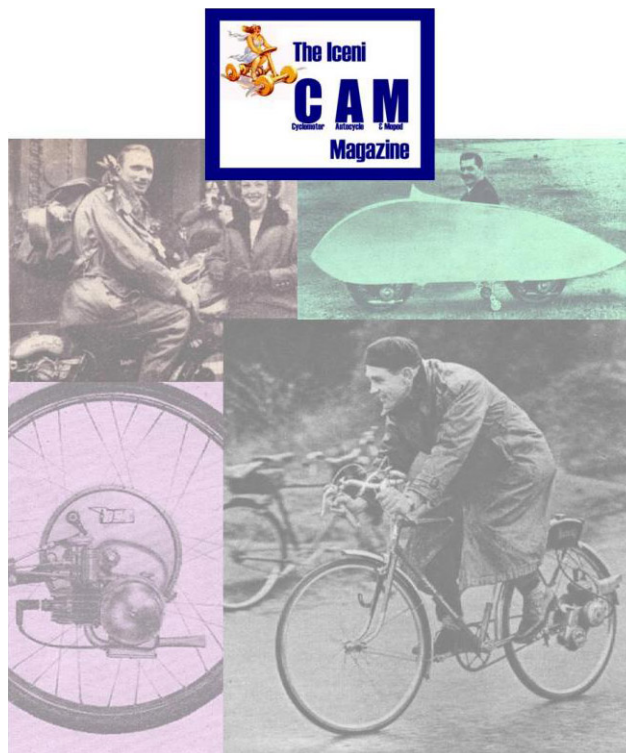
ILL. No.	Part No.	DESCRIPTION
1.	16-114	exhaust pipe \varnothing 26 x 1,5, L = 525 mm
2.	46-141	exhaust gasket, type 35
3.	06-003	lockring M 6
4.	06-011	spring washer M 6
5.	00-142	bolt M 6 x 20 RVS
-	16-116	silencer, assy
6.	16-116-03	front part of silencer
7.	16-097-01	inner silencer
8.	02-038	nut M 7
9.	16-097-02	rear part of silencer
10.	00-010	bolt M 6 x 30
11.	16-097	clip for silencer \varnothing 60 mm
12.	02-003	nut M 6

SEAT, ENGINE COVER, SPEEDOMETER, ACCESSORIES



ILL. No.	Part No.	DESCRIPTION
1.	54-088	seat
2.	44-251	seat pin
3.	45-196	engine cover Batavus
4.	72-531	decal "Batavus"
5.	42-239	speedometer VDO (mph) nr. 122.060/018/033
6.	42-137	speedometer drive cable, assy
7.	42-138	speedometer drive nr. 212.031.017.12 c
8.	46-236	rubber seal for carburettor
		ACCESSORIES
	49-034	front carrier, assy (chromed)
	49-035	wire basket (chromed)

IceniCAM On-Line Library



www.icenicam.org.uk