
SPARE PARTS CATALOGUE

AMIGO



Contents:

PAGE NO.:

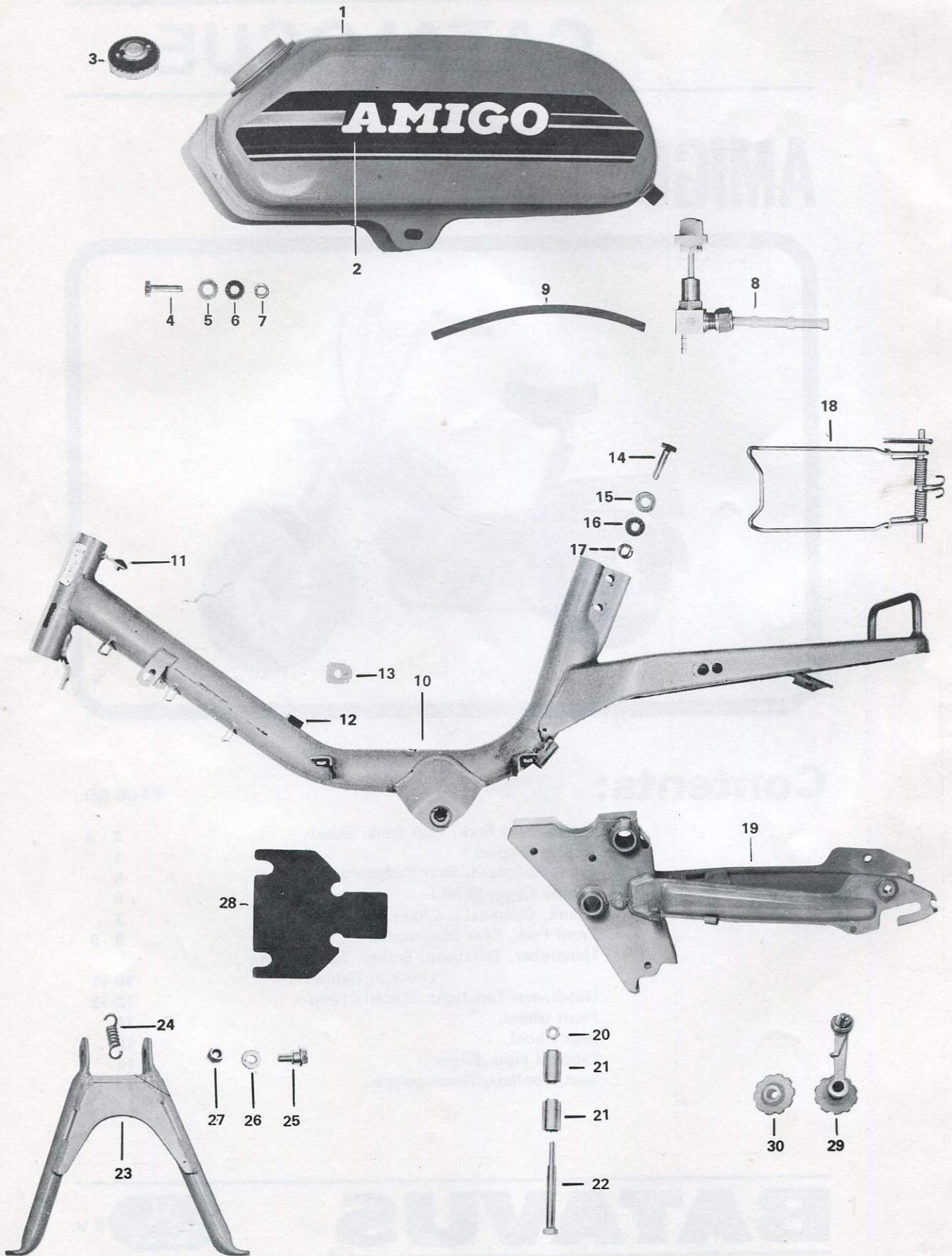
| | |
|--|-------|
| Frame, Rear Fork, Fuel Tank, Stand | 2 - 3 |
| Engine Support | 4 |
| Front Mudguard, Rear Mudguard | 5 |
| Engine Cover Shield | 6 |
| Crank, Crankaxle, Chain | 7 |
| Front Fork, Rear Suspension | 8 - 9 |
| Handlebar, Twistgrip, Brake-, Start-, Choke-, Lever(s) Cables | 10-11 |
| Headlamp, Tail-light, Electric Horn | 12-13 |
| Front wheel, | 14 |
| Rear wheel, | 15 |
| Exhaust pipe, Silencer | 16 |
| Seat, Toolbox, Accessoires | 17 |

BATAVUS



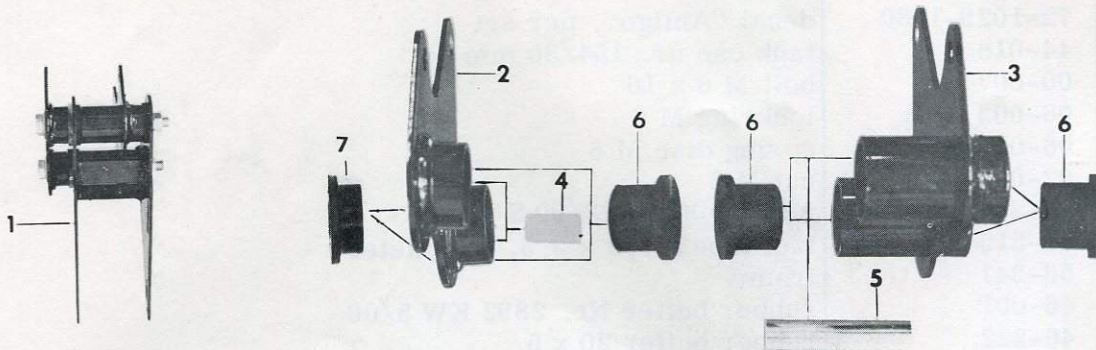
B.V.

FRAME, REAR FORK, FUEL TANK, STAND

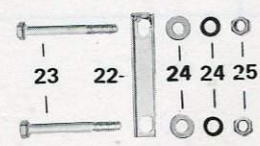
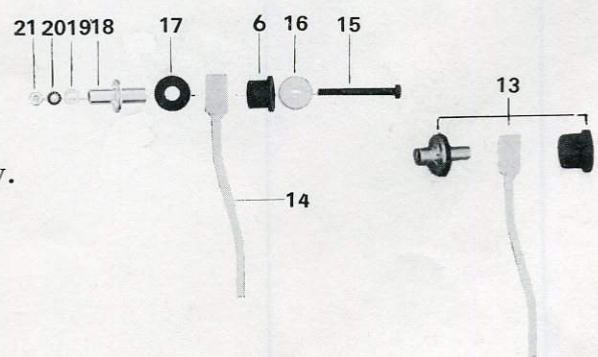
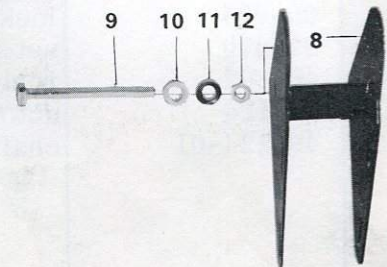


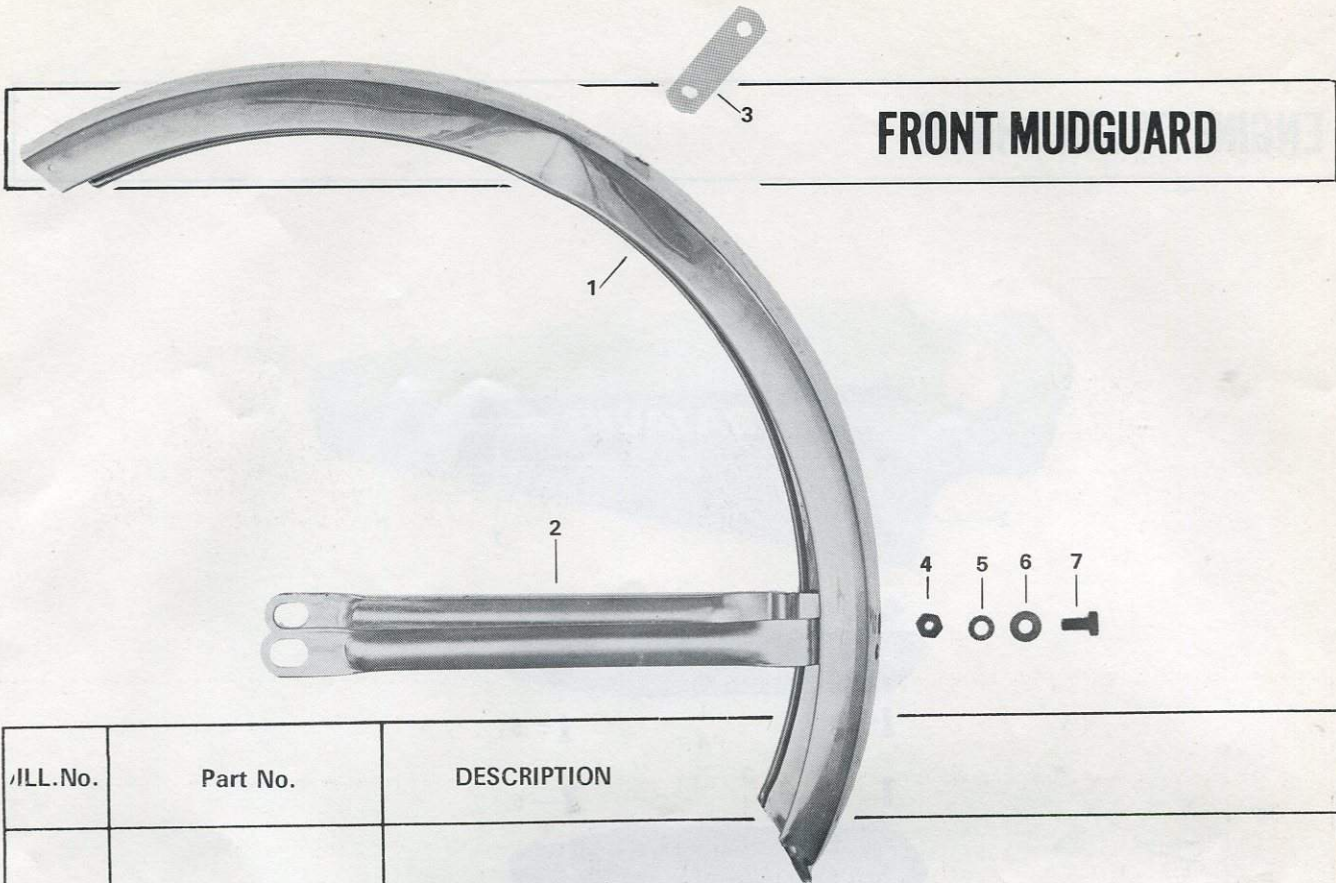
| ILL.No.. | Part No. | DESCRIPTION |
|----------|--------------|---|
| 1. | 33-038-01 | fuel tank |
| 2. | 72-1029-1030 | decal "Amigo", per set |
| 3. | 44-018 | tank cap nr. 154/30 mm |
| 4. | 00-007 | bolt M 6 x 16 |
| 5. | 06-003 | lockring M 6 |
| 6. | 06-011 | spring disc M 6 |
| 7. | 02-003 | nut M 6 |
| 8. | 44-342 | fuel tap nr. R22/90 S sin. |
| 9. | 46-315 | fuel tube \emptyset 8,5 x 3,5, per meter |
| 10. | 56-341 | frame |
| 11. | 46-001 | rubber buffer Nr. 2892 KW 5/60 |
| 12. | 46-222 | rubber buffer 20 x 5 |
| 13. | 07-018 | cage nut |
| 14. | 00-015 | bolt M 8 x 25 |
| 15. | 06-004 | lockring M 8 |
| 16. | 06-009 | spring disc M 8 |
| 17. | 02-004 | nut M 8 |
| 18. | 13-096 | carrier spring-clip |
| 19. | 56-452 | rear fork |
| 20. | 02-005 | nut M 10 |
| 21. | 46-264 | silentbloc |
| 22. | 00-144 | bolt M 10 x 105 |
| 23. | 56-137 | central stand |
| 24. | 44-405 | spring |
| 25. | 00-133 | stand bolt M 8 |
| 26. | 06-004 | lockring M 8 |
| 27. | 02-070 | nut M 8 |
| 28. | 46-362 | rubber seal |
| 29. | 49-124 | autom. chaintensioner, assy, type Cycle 304 |
| 30. | 49-124-01 | chainwheel |

ENGINE SUPPORT



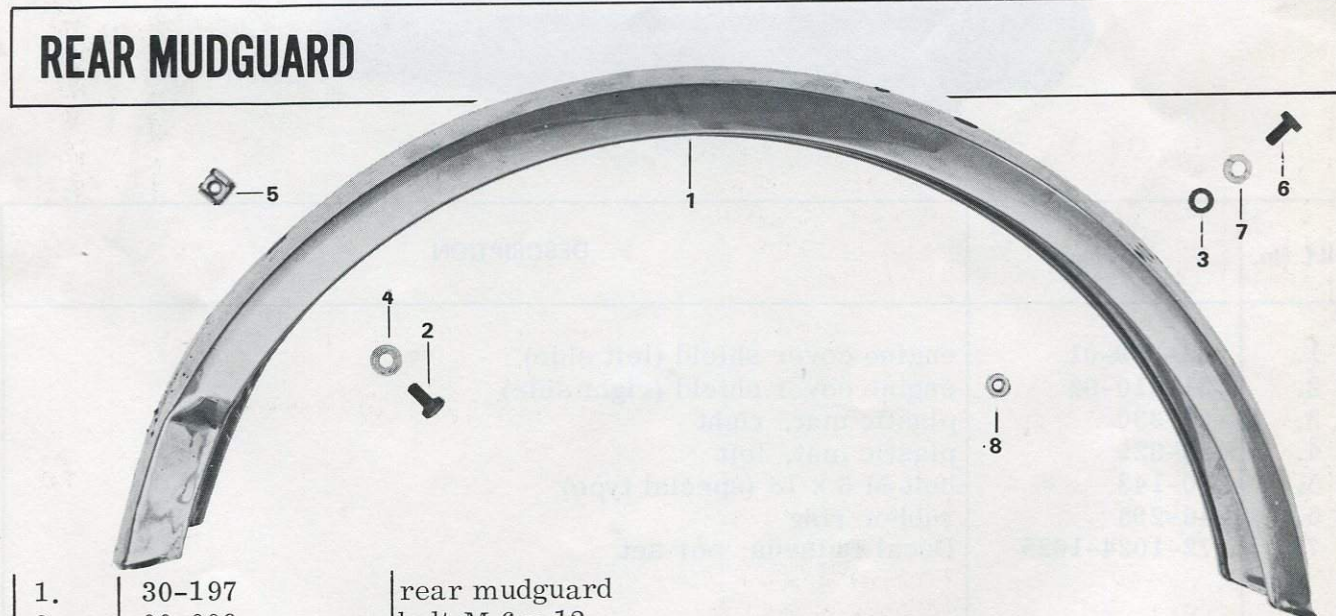
| ILL.No. | Part No. | DESCRIPTION |
|---------|-----------|---|
| 1. | 10-358 | engine support bracket with rubber mountings, assy. |
| 2. | 10-358-01 | left side engine support |
| 3. | 10-358-02 | right side engine support |
| 4. | 46-331 | spacer tube |
| 5. | 46-309 | spacer tube |
| 6. | 46-313 | rubber sleeve |
| 7. | 46-333 | rubber sleeve |
| 8. | 10-358-03 | engine support cradle |
| 9. | 00-094 | bolt M 8 x 95 mm |
| 10. | 06-089 | washer 25 x 8,4 x 2 mm |
| 11. | 06-009 | spring washer A 8 |
| 12. | 02-004 | nut M 8 |
| 13. | 10-353 | exhaust bracket, assy. |
| 14. | 10-353-01 | exhaust bracket |
| 15. | 00-146 | bolt M 6 x 60 |
| 16. | 06-085 | washer \varnothing 6,5 x 2,5 |
| 17. | 46-314 | rubber ring |
| 18. | 46-321-01 | spacer tube |
| 19. | 06-003 | washer M 6 |
| 20. | 06-011 | spring washer |
| 21. | 02-003 | nut M 6 |
| 22. | 46-174 | bolt holder |
| 23. | 00-024 | bolt M 8 x 65 |
| 24. | 06-009 | spring washer M 8 |
| 25. | 02-004 | nut M 8 |





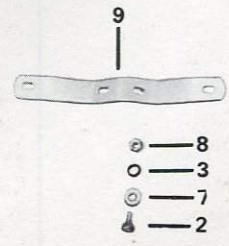
FRONT MUDGUARD

| ILL.No. | Part No. | DESCRIPTION |
|---------|----------|-----------------|
| 1. | 30-238 | front mudguard |
| 2. | 30-198 | mudguard stay |
| 3. | 46-162 | rubber buffer |
| 4. | 02-003 | nut M 6 |
| 5. | 06-088 | spring disc M 6 |
| 6. | 06-003 | lockring M 6 |
| 7. | 00-006 | bolt M 6 x 12 |

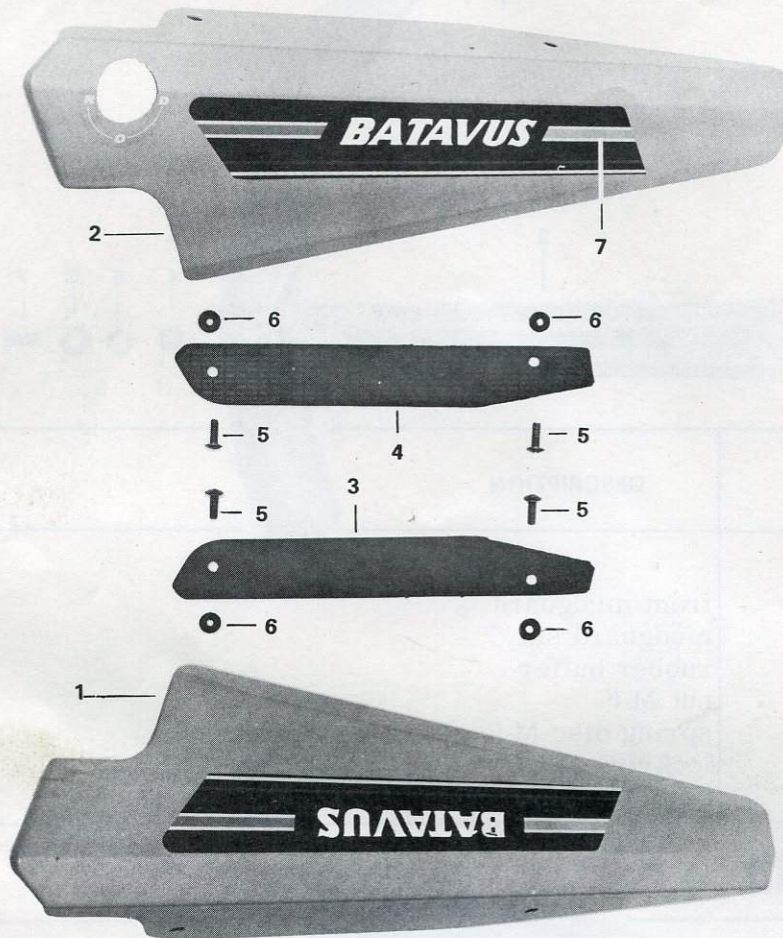


REAR MUDGUARD

| | | |
|----|--------|--------------------------|
| 1. | 30-197 | rear mudguard |
| 2. | 00-006 | bolt M 6 x 12 |
| 3. | 06-088 | spring disc M 6 |
| 4. | 06-083 | lockring $\frac{1}{4}$ " |
| 5. | 07-018 | cage nut |
| 6. | 00-007 | bolt M 6 x 16 |
| 7. | 06-003 | lockring M 6 |
| 8. | 02-003 | nut M 6 |
| 9. | 10-349 | number plate bracket |

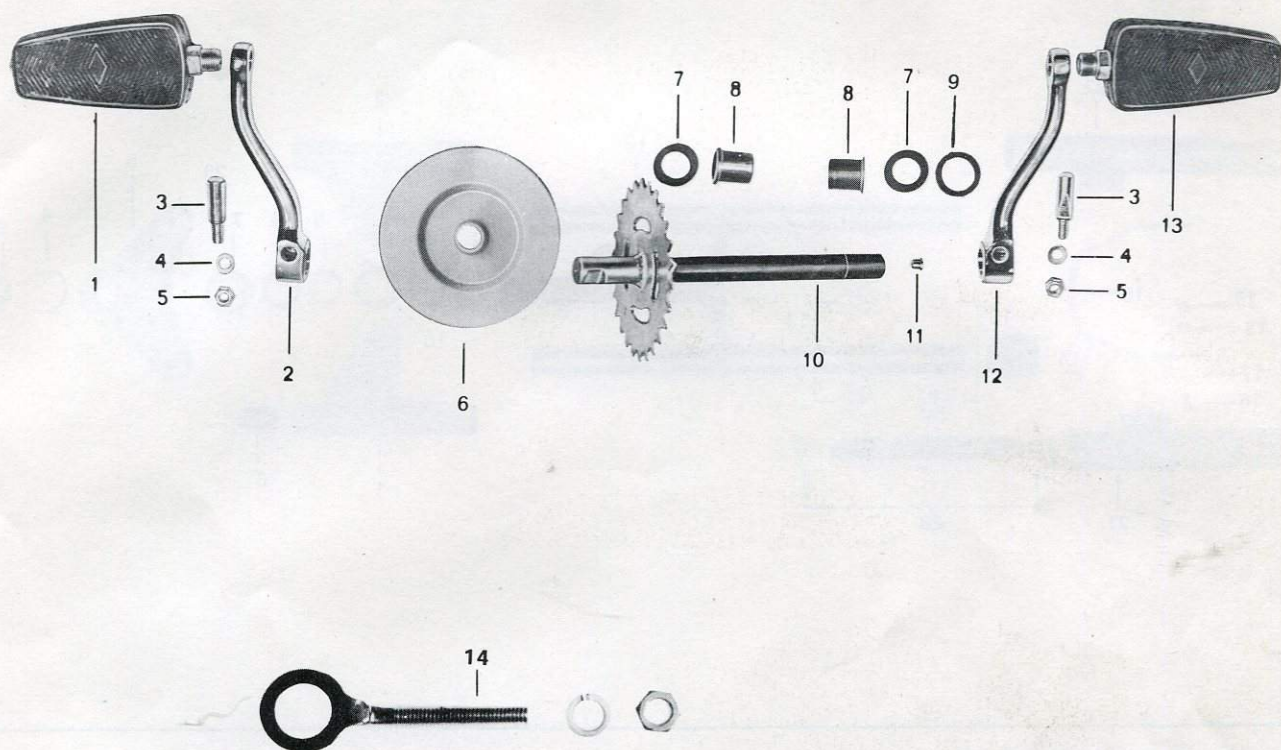


ENGINE COVER SHIELD



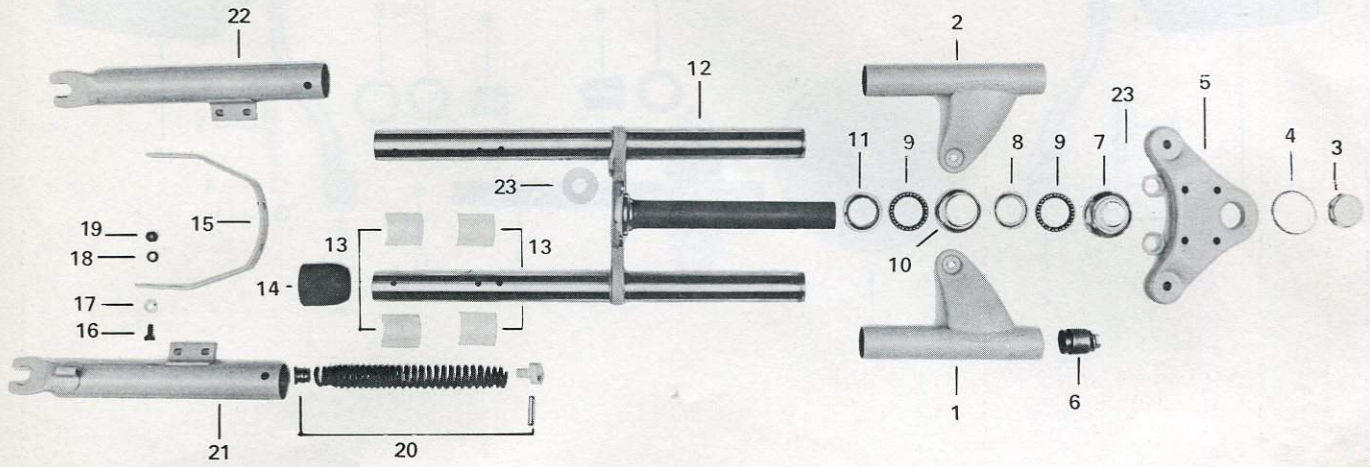
| ILL.No. | Part No. | DESCRIPTION |
|---------|--------------|----------------------------------|
| 1. | 31-209-01 | engine cover shield (left side) |
| 2. | 31-210-02 | engine cover shield (right side) |
| 3. | 46-330 | plastic mat, right |
| 4. | 46-329 | plastic mat, left |
| 5. | 00-143 | bolt M 6 x 18 (special type) |
| 6. | 46-298 | rubber ring |
| 7. | 72-1024-1025 | Decal Batavus, per set |

CRANK, CRANKAXLE, CHAIN

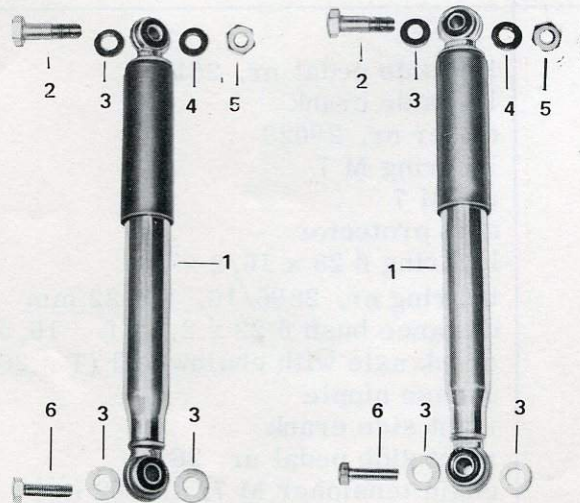


| ILL.No. | Part No. | DESCRIPTION |
|---------|-----------|---|
| 1. | 44-021-02 | left side pedal nr. 261 |
| 2. | 14-066 | left side crank |
| 3. | 08-001 | cotter nr. 29023 |
| 4. | 06-032 | lockring M 7 |
| 5. | 02-038 | nut M 7 |
| 6. | 46-279 | dust protector |
| 7. | 24-073 | lockring \varnothing 28 x 16,2 x 1 |
| 8. | 46-197 | bearing nr. 2896/16, L = 22 mm |
| 9. | 46-285 | distance bush \varnothing 22 x 2,5, L = 16,5 mm |
| 10. | 24-103-01 | crank axle with chainwheel (T = 26) |
| 11. | 40-093 | grease nipple |
| 12. | 14-067 | right side crank |
| 13. | 44-021-01 | right side pedal nr. 261 |
| 14. | 45-086 | chain tensioner M 7, L = 62 mm |
| | 45-167 | chain, engine transmission 1/2 x 3/16", 82 rolls with connecting link |
| | 45-175 | chain, pedal transmission 1/2 x 1/8", 80 rolls with connecting link |

FRONT FORK

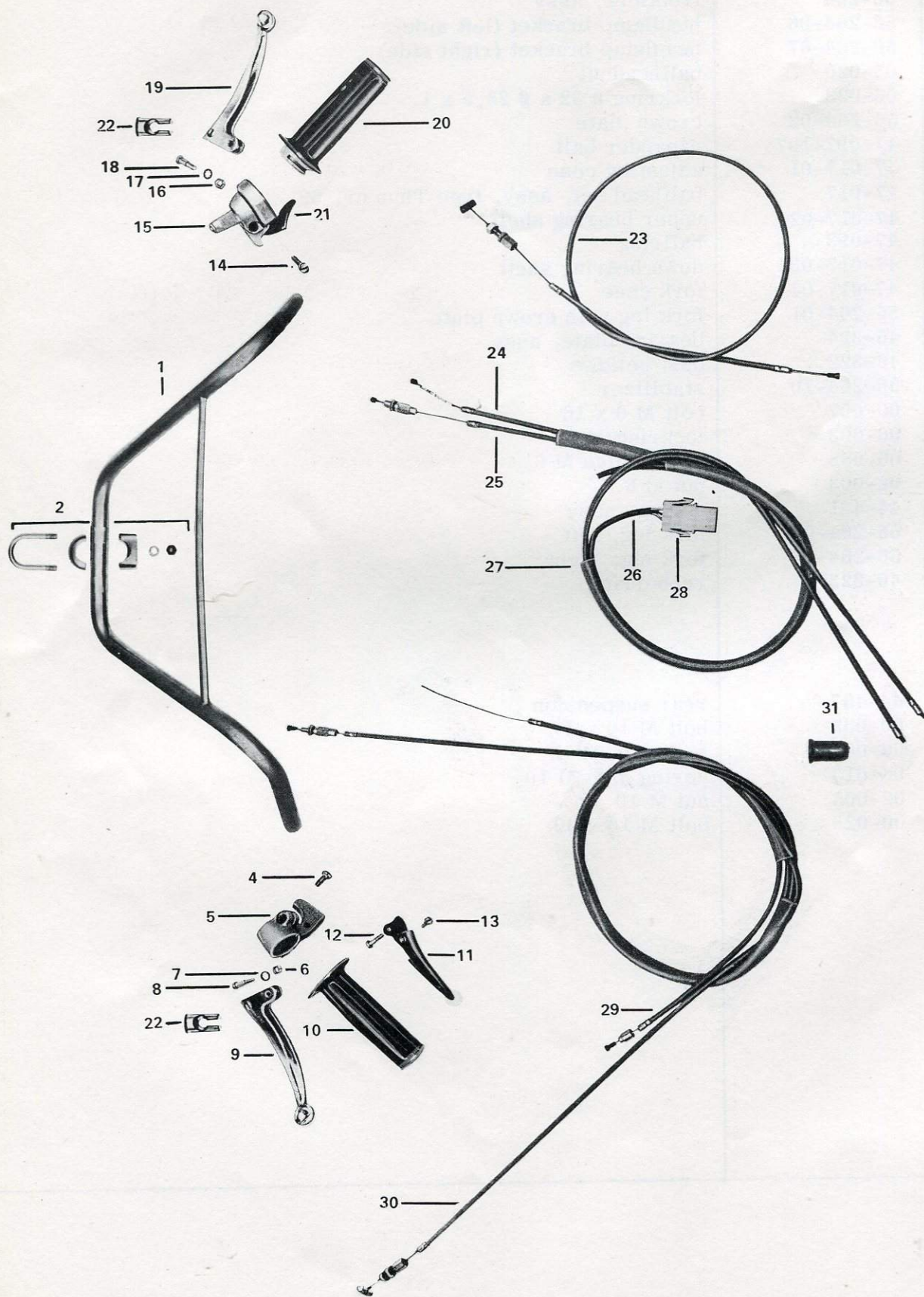


REAR SUSPENSION



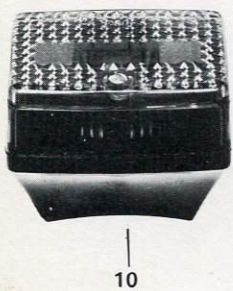
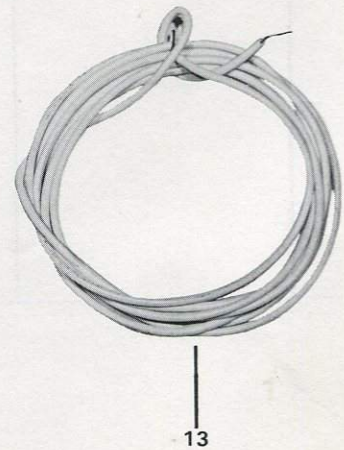
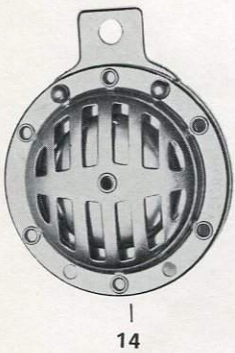
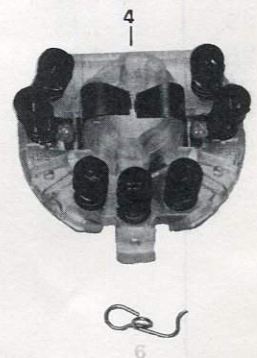
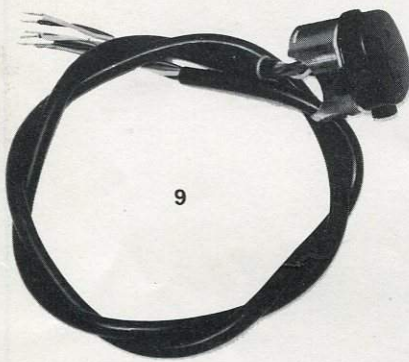
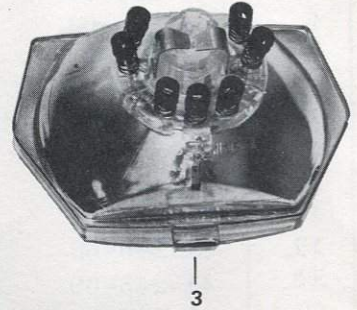
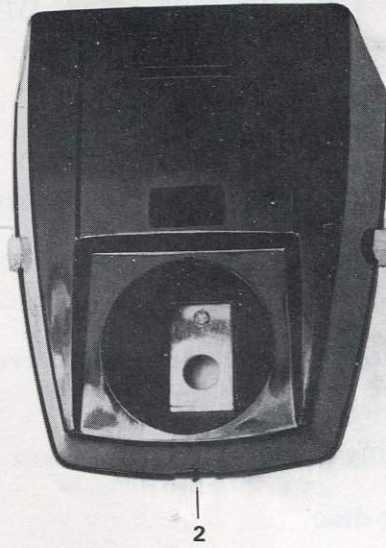
| ILL.No. | Part No. | DESCRIPTION |
|---------|------------|--|
| - | 56-264 | frontfork, assy |
| 1. | 56-264-06 | headlamp bracket (left side) |
| 2. | 56-264-07 | headlamp bracket (right side) |
| 3. | 03-020 | ballheadnut |
| 4. | 06-023 | lockring \emptyset 32 x \emptyset 25,5 x 1 |
| 5. | 56-264-02 | crown plate |
| 6. | 47-097-107 | expander ball |
| 7. | 47-017-01 | adjusting cone |
| - | 47-017 | ballhead set, assy, type Thun nr. 52 |
| 8. | 47-017-02 | upper bearing shell |
| 9. | 47-093 | ballring |
| 10. | 47-017-03 | down bearing shell |
| 11. | 47-017-04 | fork cone |
| 12. | 56-264-01 | fork leg with crown plate |
| 13. | 46-324 | bearing plate, assy |
| 14. | 46-322 | dust bellows |
| 15. | 56-264-10 | stabilizer |
| 16. | 00-007 | bolt M 6 x 16 |
| 17. | 06-003 | lockring M 6 |
| 18. | 06-088 | spring disc M 6 |
| 19. | 02-003 | nut M 6 |
| 20. | 44-441 | spring, assy |
| 21. | 56-264-04 | fork leg, left |
| 22. | 56-264-05 | fork leg, right |
| 23. | 46-323 | rubbering |
| 1. | 44-457 | rear suspension |
| 2. | 00-032 | bolt M 10 x 45 |
| 3. | 06-005 | lock ring M 10 |
| 4. | 06-013 | spring disc M 10 |
| 5. | 02-005 | nut M 10 |
| 6. | 00-029 | bolt M 10 x 30 |

HANDLEBAR, TWISTGRIP, BRAKE-, START-, CHOKE-, LEVER(S), CABLES



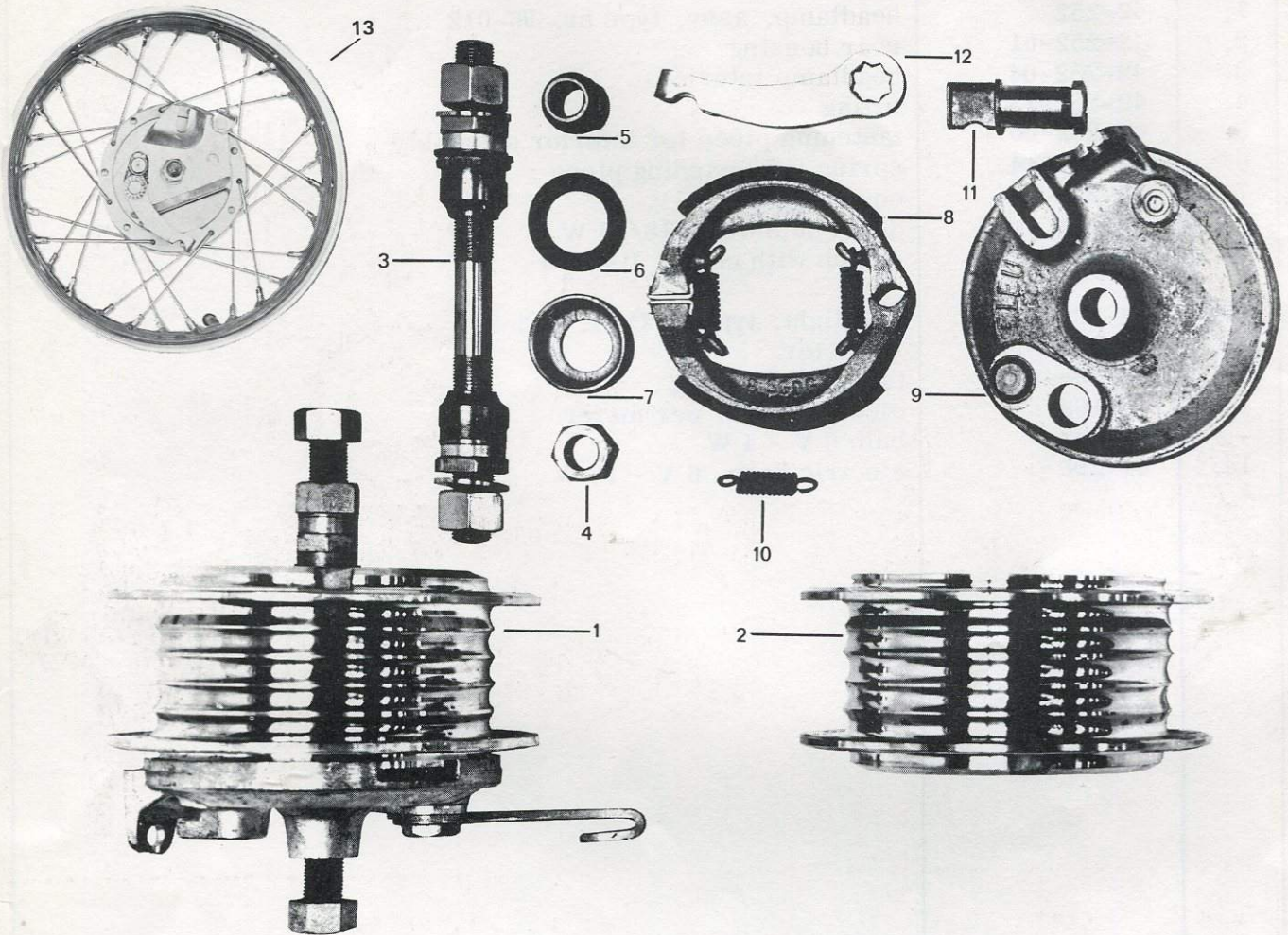
| ILL.No. | Part No. | DESCRIPTION |
|---------|-----------|--|
| 1. | 12-272 | handlebar |
| 2. | 46-206 | clip housing, assy |
| - | 41-245 | brake- and startlever, assy, type H 209.21.6 |
| 4. | 41-245-01 | bolt |
| 5. | 41-245-02 | clamping piece |
| 6. | 41-245-03 | nut |
| 7. | 41-245-04 | spring disc |
| 8. | 41-245-05 | bolt |
| 9. | 41-245-06 | left side brakelever with ballshaped end |
| 10. | 41-175 | plastic lever cover |
| 11. | 41-245-07 | startlever |
| 12. | 41-245-08 | bolt |
| 13. | 41-245-09 | bolt |
| - | 41-244 | throttle twistgrip with choke lever, assy, type D 270.52.6 IC/KSZ |
| 14. | 41-244-01 | bolt |
| 15. | 41-244-02 | clamping piece with choke lever |
| 16. | 41-244-03 | nut |
| 17. | 41-244-04 | spring disc |
| 18. | 41-244-05 | bolt |
| 19. | 41-244-06 | right side brake lever with ballshaped end |
| 20. | 41-244-12 | throttle handle |
| 21. | 41-244-10 | choke lever |
| 22. | 41-117 | nipple holder |
| 23. | 41-250 | front brake cable, assy |
| 24. | 41-246 | choke cable, assy |
| 25. | 41-248 | throttle cable, assy |
| 26. | 42-203 | electric wiring, assy |
| 27. | 42-248 | cable cover |
| 28. | 42-179 | plug, assy |
| 29. | 41-247 | start cable, assy |
| 30. | 41-289 | rear brake cable, assy |
| 31. | 46-179 | filter cap V 3723 Tob 16/70 |

HEADLAMP, TAIL-LIGHT, ELECTRIC HORN



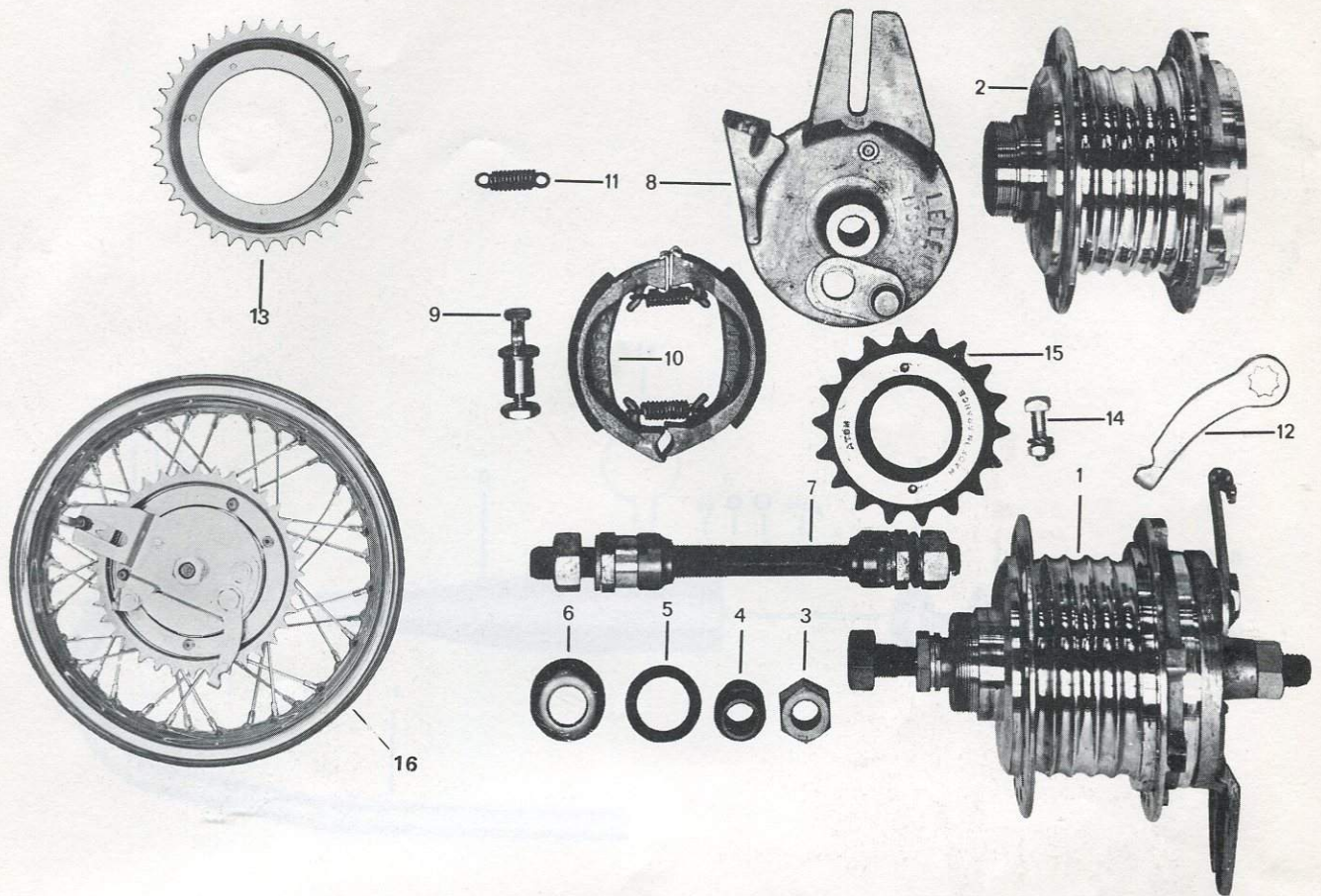
| ILL.No. | Part No. | DESCRIPTION |
|---------|-----------|---------------------------------------|
| 1. | 42-252 | headlamp, assy, type nr. 96-012 |
| 2. | 42-252-01 | rear housing |
| 3. | 42-252-04 | headlamp interior |
| 4. | 42-252-13 | fitting |
| 5. | 42-252-05 | fastening piece for interior assembly |
| 6. | 42-252-14 | spring for fastening piece |
| 7. | 42-252-09 | cover plate |
| 8. | 42-251 | duplo bulb 6 V - 18/18 W |
| 9. | 42-254 | switch with cable, L = 780 |
| 10. | 42-238 | tail-light, type ULO nr. 223-84 |
| 11. | 42-238-01 | reflector |
| 12. | 42-238-02 | tail-light housing |
| 13. | 42-168 | electric wire, per meter |
| - | 42-082 | bulb 6 V - 4 W |
| 14. | 41-296 | electric horn, 6 V - 18 W |

FRONT WHEEL



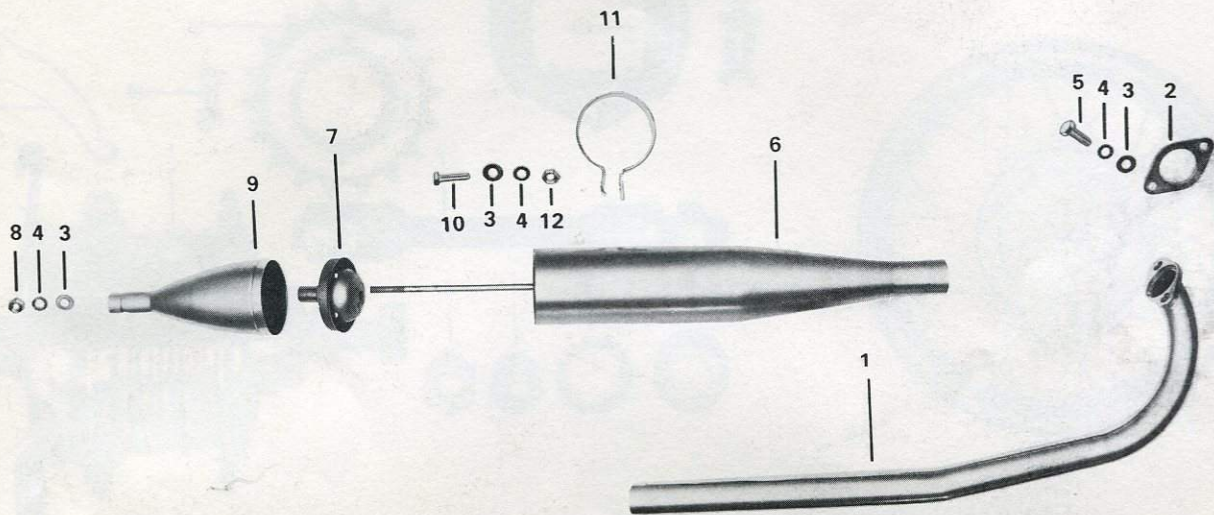
| ILL.No. | Part No. | DESCRIPTION |
|---------|-----------|--|
| 1. | 44-446 | front hub, assy, type Leleu nr. 1913 (28) |
| 2. | 44-446-01 | hub shell |
| 3. | 44-229-02 | front spindle, assy (incl. cones and nuts) |
| 4. | 44-229-03 | spindle nut |
| 5. | 44-229-04 | spindle cone |
| 6. | 44-229-05 | dust ring |
| 7. | 44-229-06 | cup |
| 8. | 44-229-07 | pair of brake shoes, assy |
| 9. | 44-229-08 | brake plate |
| 10. | 44-229-09 | brake shoe spring |
| 11. | 44-229-10 | brake cam |
| 12. | 44-229-11 | brake lever |
| 13. | 56-265 | front wheel, assy (28) |
| | 40-178 | rim, 1.50 x 10 |
| | 40-193 | spokes, nr. 13-93 (90°), per gross |
| | 40-184 | spokes, nr. 13-93 (70°), per gross |
| | 48-137 | tyre 3-10 |
| | 48-138 | tube 3-10 |
| | 48-139 | tube bandage |

REAR WHEEL



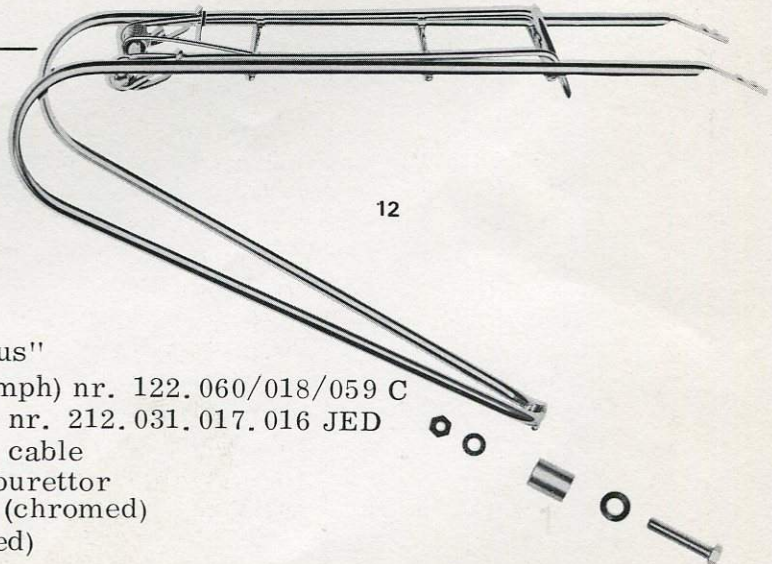
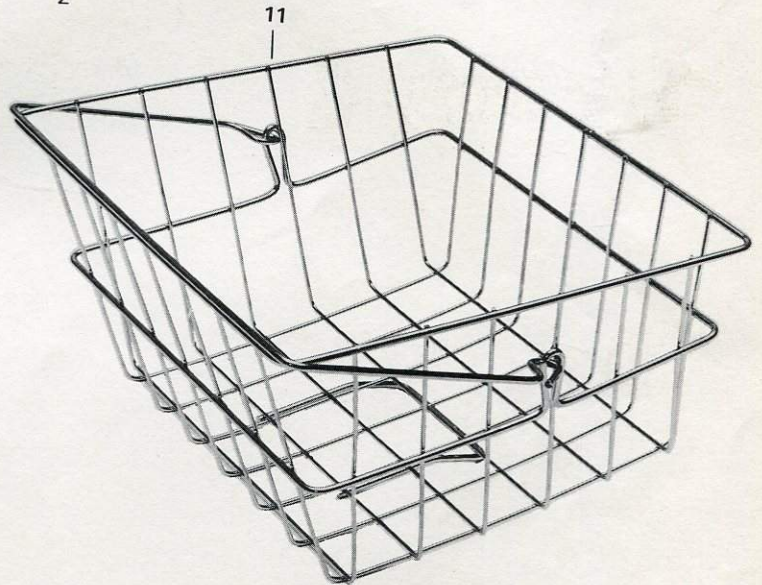
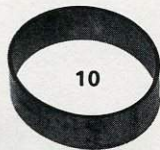
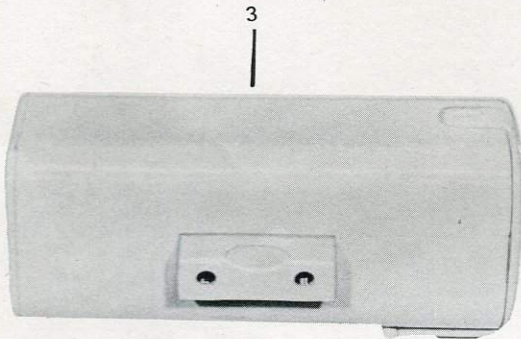
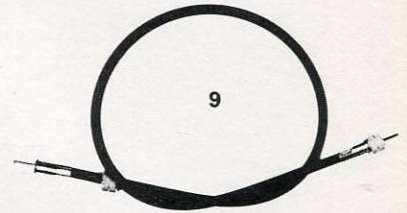
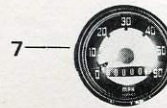
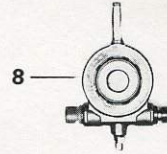
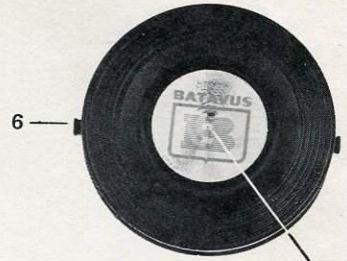
| ILL.No. | Part No. | DESCRIPTION |
|---------|-----------|--|
| 1- | 44-445 | rear hub, assy (excl. chainwheel), type Leleu nr. 2075(28) |
| 2. | 44-445-01 | hub shell |
| 3. | 44-445-02 | rear spindle, assy (incl. cones and nuts) |
| 4. | 44-276-03 | spindle nut |
| 5. | 44-276-04 | spindle cone |
| 6. | 44-276-05 | dust ring |
| 7. | 44-276-06 | cup |
| 8. | 44-276-08 | brake plate |
| 9. | 44-276-10 | brake cam |
| 10. | 44-276-07 | pair brake shoes, assy |
| 11. | 44-276-09 | brake shoe-spring |
| 12. | 44-276-11 | brake lever |
| 13. | 44-453 | chainwheel 1/2 x 3/16", T = 36 |
| 14. | 44-276-12 | fastening bolt and nut for chainwheel |
| 15. | 49-020 | freewheel 1/2 x 1/8", T = 18 |
| 16. | 56-456 | rear wheel, assy |
| | 40-178 | rim, 1.50 x 10 |
| | 40-182 | spokes, nr. 13-91 (90°), per gross |
| | 40-180 | spokes, nr. 13-91 (70°), per gross |
| | 48-137 | tyre 3-10 |
| | 48-138 | tube 3-10 |
| | 48-139 | tube bandage |

EXHAUST PIPE, SILENCER



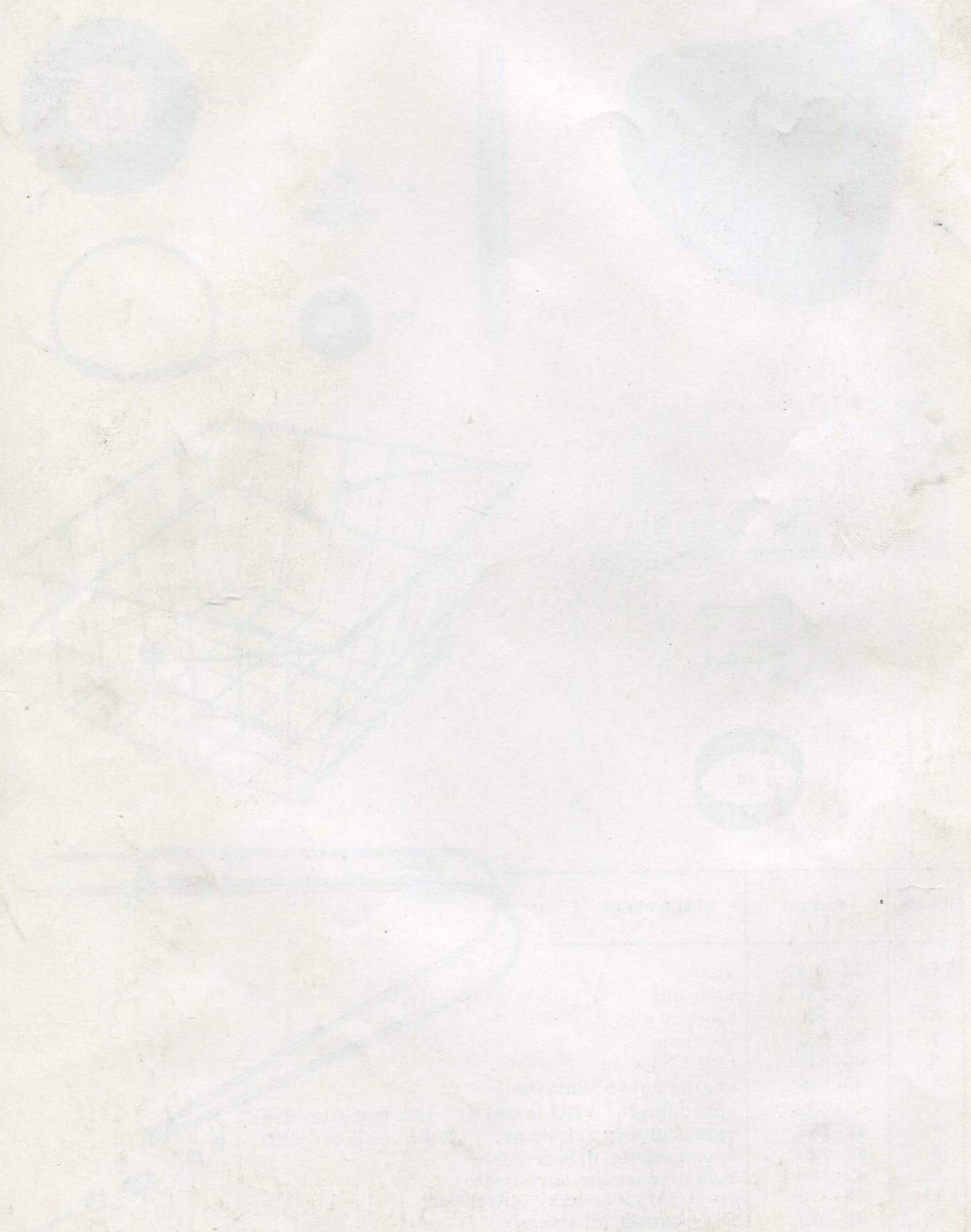
| ILL.No. | Part No. | DESCRIPTION |
|---------|-----------|--|
| 1. | 16-111 | exhaust pipe \varnothing 28 x 1,5 L = 550 mm |
| 2. | 46-141 | exhaust gasket, type 35 |
| 3. | 06-003 | lockring M 6 |
| 4. | 06-011 | spring washer M 6 |
| 5. | 00-142 | bolt M 6 x 20 RVS |
| | 16-097 | silencer, assy |
| 6. | 16-097-03 | front part of silencer nr. 377.850 |
| 7. | 16-097-01 | inner silencer |
| 8. | 02-038 | nut M 7 |
| 9. | 16-097-02 | rear part of silencer |
| 10. | 00-010 | bolt M 6 x 30 |
| 11. | 16-100 | clip for silencer \varnothing 60 mm |
| 12. | 02-003 | nut M 6 |

SEAT, TOOLBOX, ACCESSORIES

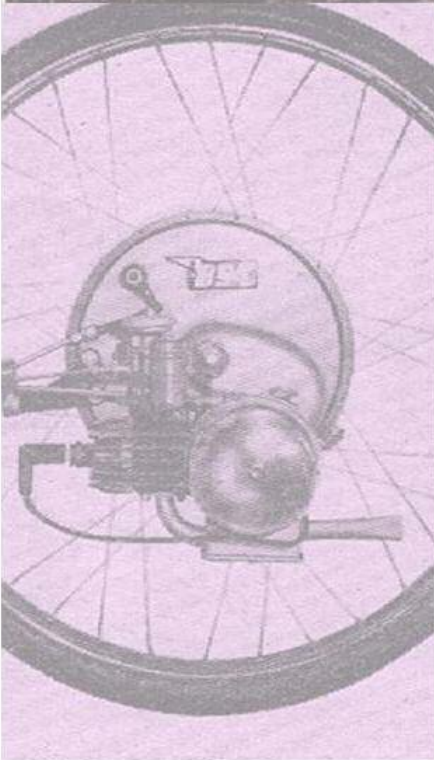


| ILL.No. | Part No. | DESCRIPTION |
|---------|----------|---|
| 1. | 54-086 | seat |
| 2. | 44-277 | seat pin |
| 3. | 86-006 | toolbox |
| 4. | 06-002 | lockring |
| 5. | 00-040 | bolt M 5 x 10 |
| 6. | 45-196 | engine cover "Batavus" |
| 7. | 42-039 | speedometer VDO (mph) nr. 122.060/018/059 C |
| 8. | 42-259 | speedometer driver nr. 212.031.017.016 JED |
| 9. | 42-060 | speedometer driver cable |
| 10. | 42-236 | rubber seal for carburettor |
| 11. | 49-090 | front carrier, assy (chromed) |
| 12. | 49-035 | wire basket (chromed) |
| | 86-008 | rear view mirror |
| 13. | 72-531a | decals "Batavus" |

THE UNIVERSITY OF CHICAGO



IceniCAM Information Service



www.icenicam.org.uk