



SPARES

DANDY

70 C.C.

Catalogue No. 00-5072

COPY OF B.S.A. MOTOR CYCLE SPARE PARTS GUARANTEE

We give the following guarantee with B.S.A. Motor Cycle Spare Parts, instead of the guarantee implied by statute or otherwise, as to the quality or fitness of such parts for the purpose for which they are intended, any such implied guarantee being in all cases excluded, nor can any claim for consequential damages be entertained.

WE GUARANTEE, subject to the conditions mentioned below, that all precautions which are usual and reasonable have been taken by us to secure excellence of materials and workmanship, but this guarantee is to extend and be in force for six months only from the date of purchase, and the damages for which we make ourselves responsible under this guarantee are limited to the replacement of any part which may have proved defective.

WE UNDERTAKE, subject to the conditions mentioned below, to make good at any time within six months any defects in these respects. As motor cycles are easily liable to derangement by neglect or misuse, this guarantee does not apply to defects caused by wear and tear, misuse, or neglect. The term "misuse" shall include among others the following acts: The attaching of a sidcar to the motor cycle in such a manner as to cause damage or calculated to render the latter unsafe when ridden; the use of a motor cycle or a motor cycle and sidcar combined when carrying more persons or a greater weight than they were designed to bear.

REPAIRS AND RENOVATIONS GUARANTEE

Any B.S.A. motor cycle sent to us to be replated, re-enamelled, or repaired will be treated upon the same conditions as if it were a new motor cycle, i.e., we guarantee that all precautions which are usual and reasonable have been taken by us to secure excellence of material and workmanship, such guarantee to extend and be in force for six months only from the time such work shall have been executed, and this guarantee is in lieu and in exclusion of any Common Law or statute warranty, and the damages recoverable are limited to the cost of any further work which may be necessary to amend and make good the work found to be defective.

CONDITIONS OF GUARANTEE

If a defective part should be found in our motor cycles it must be sent to our Service Department, carriage paid, and be accompanied by an intimation from the sender that he desires it repaired free of charge under our guarantee, and he must also furnish us at the same time with the number of the frame and engine, which will be found stamped on the seat or head tube lug and crankcase respectively, the name of the Dealer from whom he purchased, and the date of the purchase.

Failing compliance with the above no notice will be taken of anything which may arrive but such articles will lie here at the risk of the sender, and this guarantee or any implied guarantee shall not be enforceable.

We do not guarantee the specialities of other firms, such as tyres, electrical equipment, saddles, etc., or of any component part supplied to the order of the purchaser differing from our standard specifications, whether supplied with our motor cycles or otherwise.—

THE TERM "AGENT"

We do not appoint agents for the sale of our Motor Cycles or other goods. We assign to Motor Cycle Dealers (styled "Regional" Dealers), who carry on business on their own account, areas in which they have the exclusive or other right to sell goods purchased from us. A Regional Dealer purchasing from us, or a Sub-Dealer purchasing from him, may, on our behalf (as our agent for the purpose only) give the guarantee printed above. Any such dealer is not authorised to advertise, incur any debts, or transact any business whatsoever on our account, nor is he authorised, so as to bind us to give any warranty or make any representation on our behalf or to sell subject to or with any conditions other than those contained in such guarantee.

B.S.A. SERVICE

When you purchase a B.S.A. machine you become the owner of a product which is backed by the most comprehensive motor cycle service in the world. The following notes are intended to give a guide to the facilities to the B.S.A. owner. Detailed information on any aspect of B.S.A. service may be obtained by discussion with your B.S.A. dealer or on application to the factory Service Department.

REPLACEMENT PARTS

The moderate price at which B.S.A. replacement parts are available, has been maintained by making full use of trade distribution channels, with the consequent advantages of large consignments delivered from the works with lower handling, packing and transport costs. For this reason, we do not normally supply spares direct to individual owners, and all requests for replacement parts should be made to your local dealer or spare parts stockist. All B.S.A. dealers carry stocks of B.S.A. replacement parts, but the officially appointed spare parts stockists, whose names and addresses are quoted in the following pages, maintain an extensive and comprehensive range. B.S.A. owners are strongly advised to fit genuine B.S.A. replacement parts only. Risks are incurred in not always insisting on the genuine component, and these risks are eliminated if parts are purchased only from our recognised dealers.

B.S.A. EXCHANGE REPLACEMENT SERVICE

The B.S.A. Exchange Replacement Service is of great value to all B.S.A. owners. It is particularly useful to those who rely on their machines for daily transport, and who cannot afford to have them off the road for more than a few hours at a time. Under this scheme the owner can exchange any worn or otherwise un-serviceable unit, such as engine, gearbox, forks or wheels, for a fully-guaranteed factory-assembled replacement unit. These units are ready for immediate use, and are supplied at fixed prices on the understanding that the old units which they replace are not damaged to a degree where they are not capable of being reconditioned.

All genuine B.S.A. Exchange Replacement units carry the full six months warranty. Most B.S.A. Dealers and officially appointed spare parts Stockists are able to supply genuine exchange units from stock. If this cannot be done, they can obtain the unit for you quickly from the works, and make arrangements for it to be fitted to your machine, afterwards returning the old unit to us. In this way the machine need only be off the road long enough for the conversion to be made. Full details of this scheme can be obtained from your B.S.A. Dealer, and an explanatory leaflet and price list will be sent upon request to B.S.A. Service Department.

CORRESPONDENCE

We maintain a skilled staff to help you with any query, technical or otherwise which you may have concerning your B.S.A. machine. We are always anxious to help, and all correspondence should be addressed to us at:—

B.S.A. Motor Cycles Limited,
Service Department,
Montgomery Street,
Birmingham 11.

REPAIRS

(1). All motor cycles, engines or components for repair should be consigned to the factory Service Department at the following address:—

B.S.A. Motor Cycles Limited,
Service Department,
Montgomery Street,
Birmingham 11.

Full instructions must accompany all items sent to us for repair. If we are simply asked to overhaul a machine, all component parts will be completely dismantled and inspected, all worn parts will be renewed and the machine re-assembled and tested to original inspection standards.

(2). When sending complete motor cycles, accessories such as windscreens, panniers, Club badges, tools and inflators, should be removed as they are liable to be damaged or lost in transit.

(3). It frequently happens that parts are forwarded to us which do not bear the sender's name and address. Care in this respect will prevent delay and annoyance.

(4). All goods consigned to us must be sent carriage paid.

(5). Immediately we receive a part for repair, an acknowledgment and confirmation of your instructions is posted to you. If you have occasion to enquire by letter or telephone about the progress of the repairs, please follow the instructions printed on your form of acknowledgment.

SERVICE LITERATURE

An Instruction Book is supplied free of charge with each machine and contains all the information required for routine maintenance, and top overhaul. For the normal owner this book will cover all the work that he is likely to undertake. Further copies of Instruction Books to cover all post-war and most pre-war models are available from the Service Department.

For the guidance of Dealers and other skilled mechanics, the Service Department also issues Service Manuals to cover each model. These manuals contain detailed instructions for complete dismantling and overhaul, and describe the special tools and jigs which are necessary for this purpose. The B.S.A. owner who has considerable mechanical experience, and feels that he is competent to carry out this more skilled type of work may obtain a copy of the Service Manual for his machine from the Service Department.

Additional Instruction Books are priced 3/- plus 3d. postage, and the Service Manuals are 7/- plus 6d. postage, for each model. Full details of the machine should always be quoted.

HOURS OF BUSINESS

Our Service Department is open from 8.30 a.m. to 5.30 p.m. Monday to Friday, excepting holiday periods and we are pleased to see B.S.A. owners, and if necessary, to inspect and advise on the condition of their machines.

We cannot guarantee, however, to be able to service any machine if a call is made without an appointment, and even when calling by appointment, an owner should be prepared to leave his machine with us, in case the work cannot be completed on the same day.

A commissionaire is always on duty to receive machines brought to the Service Department by appointment, at any time of the day or night, on any day of the week, and similar arrangements are made for collection. Any machine delivered to us after hours should, however, be accompanied by full instructions in writing, together with the owner's name and address.

CATALOGUE OF



ISSUED BY

BSA MOTOR CYCLES LTD.

Service Department

MONTGOMERY STREET
BIRMINGHAM 11

TELEPHONE . . . BIRMINGHAM VICTORIA 2234
TELEGRAMS . . . "SELSERV" BIRMINGHAM

B.S.A. MOTOR CYCLES LTD.

Registered Offices and Works: ARMOURY ROAD, BIRMINGHAM

Telephones: BIRMINGHAM VICTORIA 2381 *Telegrams and Cables:* "SELMOTO BIRMINGHAM"

Contractors to Her Majesty's Government, the War Office, the Admiralty, the Post Office, the Colonial and Foreign Governments

**SUFFIX NUMBERS TO BE USED TO IDENTIFY
VARYING FINISHES**

/001	Cadmium
/003	Bright Chrome
/007	Black Enamel
/034	Devon Red
/084	Dark Lavender Grey
/085	Honey Beige
/104	Ivory
/128	Chrome Rim with Honey Beige Hub
/129	Chrome Rim with Dark Lavender Grey Hub
/130	Chrome Rim with Devon Red Hub

When ordering components with varying finishes, i.e., Petrol Tanks, Wheels, Rims, etc.—please state finish required by adding the appropriate number to part number.

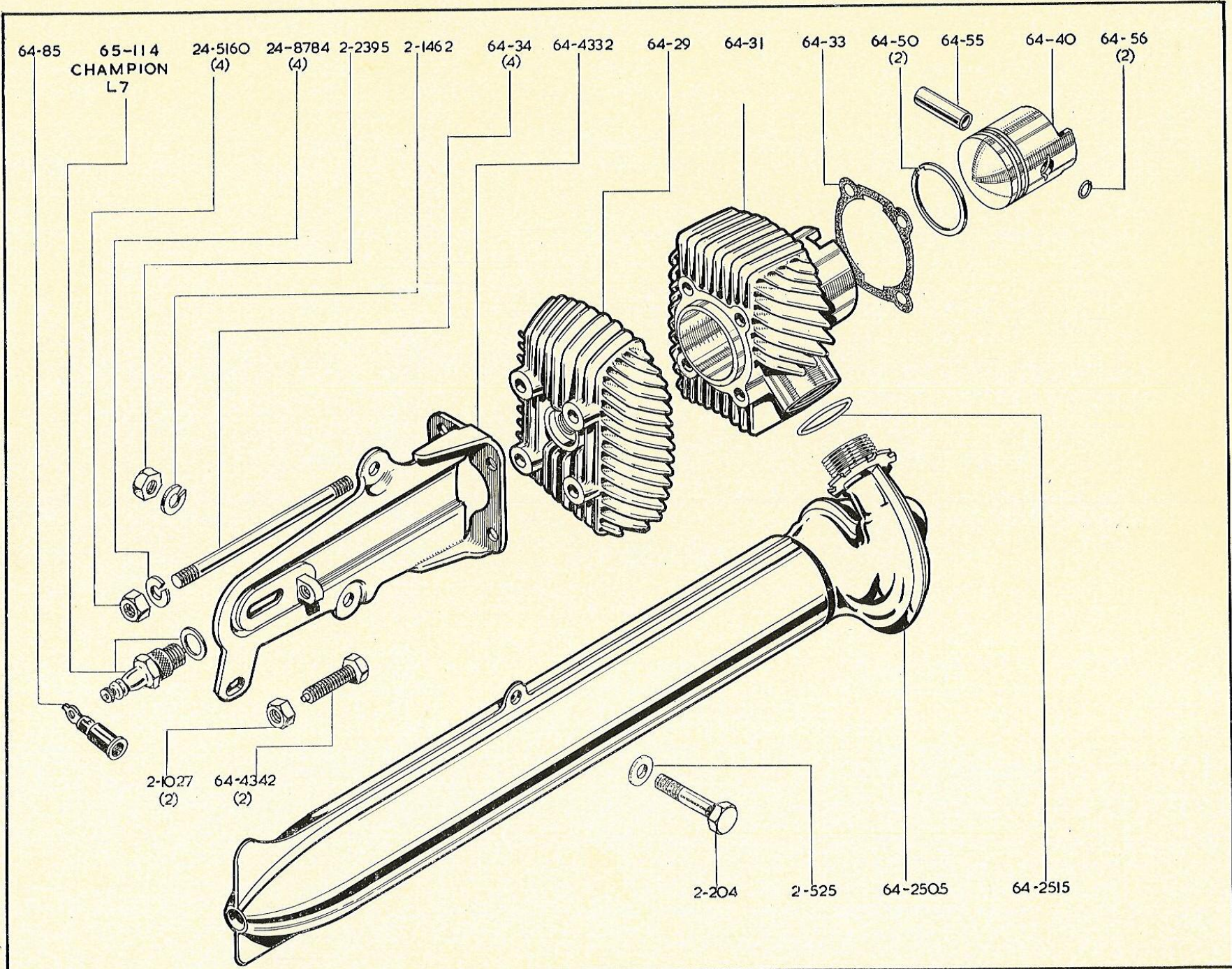
EXAMPLE.

Petrol Tank, Dark Lavender Grey 64-8026/084.

INDEX. GRUPPEVERZEICHNIS, INDICE

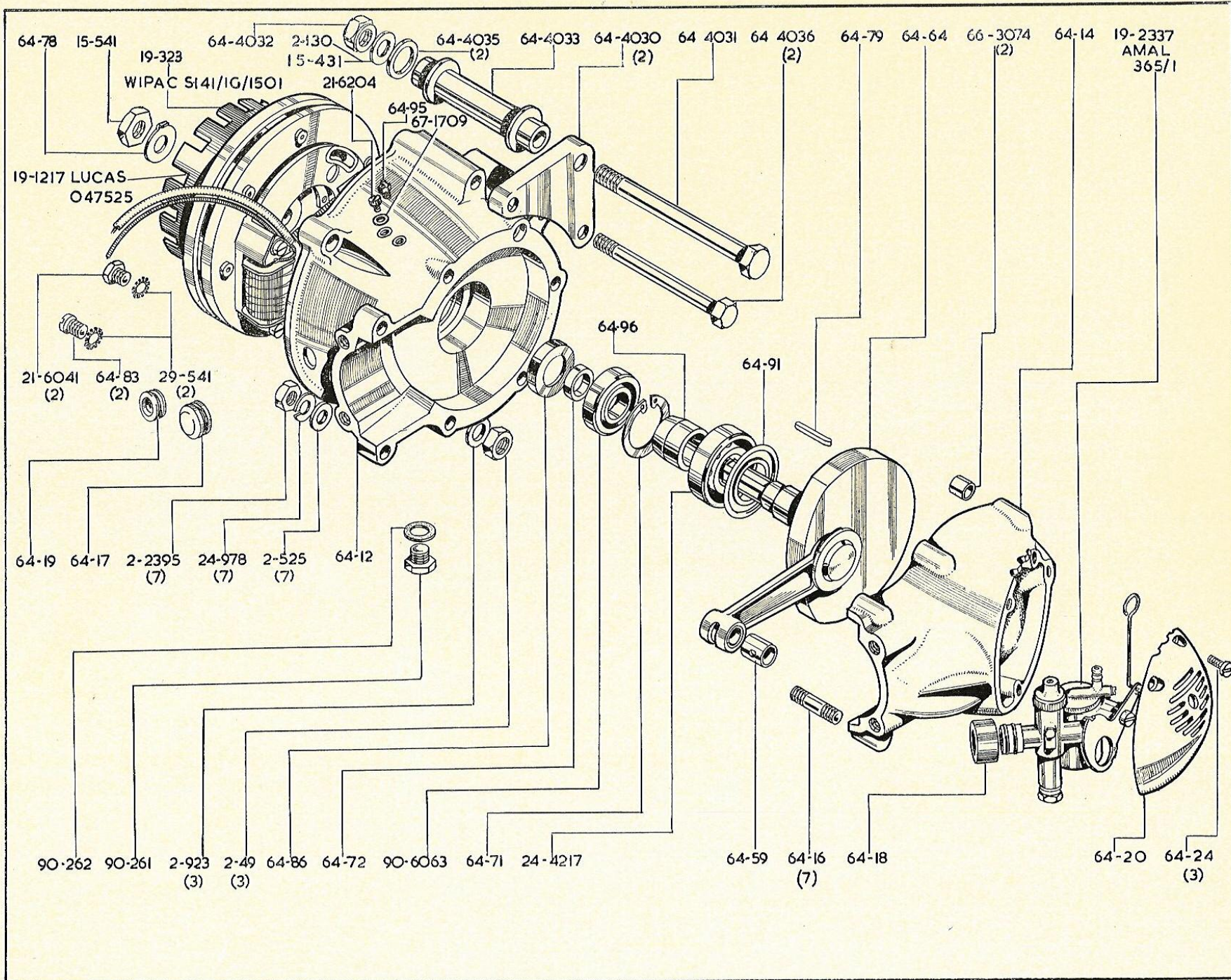
GROUP
GROUPE
GRUPPE
GRUPO

Cylinder Cylinder Head Silencer	Cylindre Culasse Silencieux	Zylinder Zylinderkopf Auspufftopf	Cilindro Culata Silenciador	1
Engine	Moteur	Motor	Motor	2
Gearbox Chainguard	Boite de vitesses Carter de chaîne	Getriebe Kettenkasten	Caja de velocidades Guardacadena	3
Gear Cluster Starter Pedal	Jeu d'engrenages Pedale de kick	Zahnradatz Startkurbel	Juego de engranajes Arrancador	4
Frame	Cadre	Rahmen	Cuadro	5
Brake Pedal Stand Footrests	Pedale de frein Beguille Repose-pied	Fuss Bremshebel Ständer Fussrast	Pedal de freno Soporte Estribo	6
Front Fork	Fourche av	Vordergabel	Horquilla delantera	7
Front Wheel	Roue av	Vorderrad	Rueda delantera	8
Rear Wheel	Roue ar	Hinterrad	Rueda trasera	9
Saddle Petrol Tank Carrier	Selle Reservoir à carburant Porte-bagages	Sattel Kraftstoffbehälter Gepäckträger	Sillin Deposito de combustible Porta equipaje	10
Handlebar and Controls	Guidon et Commandes	Lenker und Steuerung	Manillar y Mandos	11
Legshields and Mudguards	Protège-jambes et Gardeboue	Beinschild und Schutzbleche	Guardapiernas y Guardabarros	12
Tools	Outils	Werkzeuger	Herramientos	13
Electrical and Sundries	Equipement électrique et Pièce variées	Elektr Ausrüstung und Sonstige Teile	Equip electrico y Piezas varias	14



**CYLINDER, CYLINDER HEAD, SILENCER. CYLINDRE, CULASSE, SILENCIEUX
ZYLINDER, ZYLINDERKOPF, AUSPUFFTOPF. CILINDRO, CULATA, SILENCIADOR**

Part No. No. de commande Bestell-nr No. de parte	Description	Designation	Benennung	Descripción	Per Set Nombre Anzahl Juego de
2-204	Bolt	Boulon	Schraube	Tornillo	
2-525	Washer	Rondelle	Scheibe	Arandela	
2-1027	Nut	Ecrou	Mutter	Tuerca	2
2-1462	Lockwasher	Arrêtoir	Sicherung	Freno	
2-2395	Nut	Ecrou	Mutter	Tuerca	
24-5160	Nut	Ecrou	Mutter	Tuerca	4
24-8784	Lockwasher	Arrêtoir	Sicherung	Freno	4
64-27	Sealing Ring	Bague d'étanchéité	Dichtring	Arrandela de reten	
64-29	Cylinder Head	Culasse	Zylinderkopf	Culata	
64-31	Cylinder	Cylindre	Zylinder	Cilindro	
64-33	Gasket	Joint	Dichtung	Empaquetadura	
64-34	Stud	Goujon	Stehbolzen	Esparago	4
64-40	Piston Complete	Piston complète	Kolben Vollst	Embolo comp.	
64-43	Piston Complete + .015"	Piston complète + .39 mm.	Kolben Vollst + .39 mm.	Embolo comp. + .39 mm.	
64-45	Piston Complete + .030"	Piston complète + .79 mm.	Kolben Vollst + .79 mm.	Embolo comp. + .79 mm.	
64-50	Piston Ring	Segment	Verdichtungsring	Segmento	2
64-51	Piston Ring + .015"	Segment + .39 mm.	Verdichtungsring + .39 mm.	Segmento + .39 mm.	2
64-52	Piston Ring + .030"	Segment + .79 mm.	Verdichtungsring + .79 mm.	Segmento + .79 mm.	2
64-55	Gudgeon Pin	Axe de piston	Kolbenbolzen	Bulón de embolo	
64-56	Circlip	Arrêtoir	Sicherung	Freno	2
64-85	Ignition Lead Terminal	Borne de cable d'allumage	Zündleitungsstecker	Borne de conexión	
64-114	Spark Plug	Bougie d'allumage	Zündkerze	Bujía	
64-2505	Silencer	Silencieux	Auspufftopf	Silenciador	
64-2515	Sealing Ring	Bague d'étanchéité	Dichtring	Arrandela de reten	
64-4332	Blade R/H	Lame (droite)	Blatt (Rechts)	Hoja (derecha)	2
64-4342	Bolt	Boulon	Schraube	Tornillo	

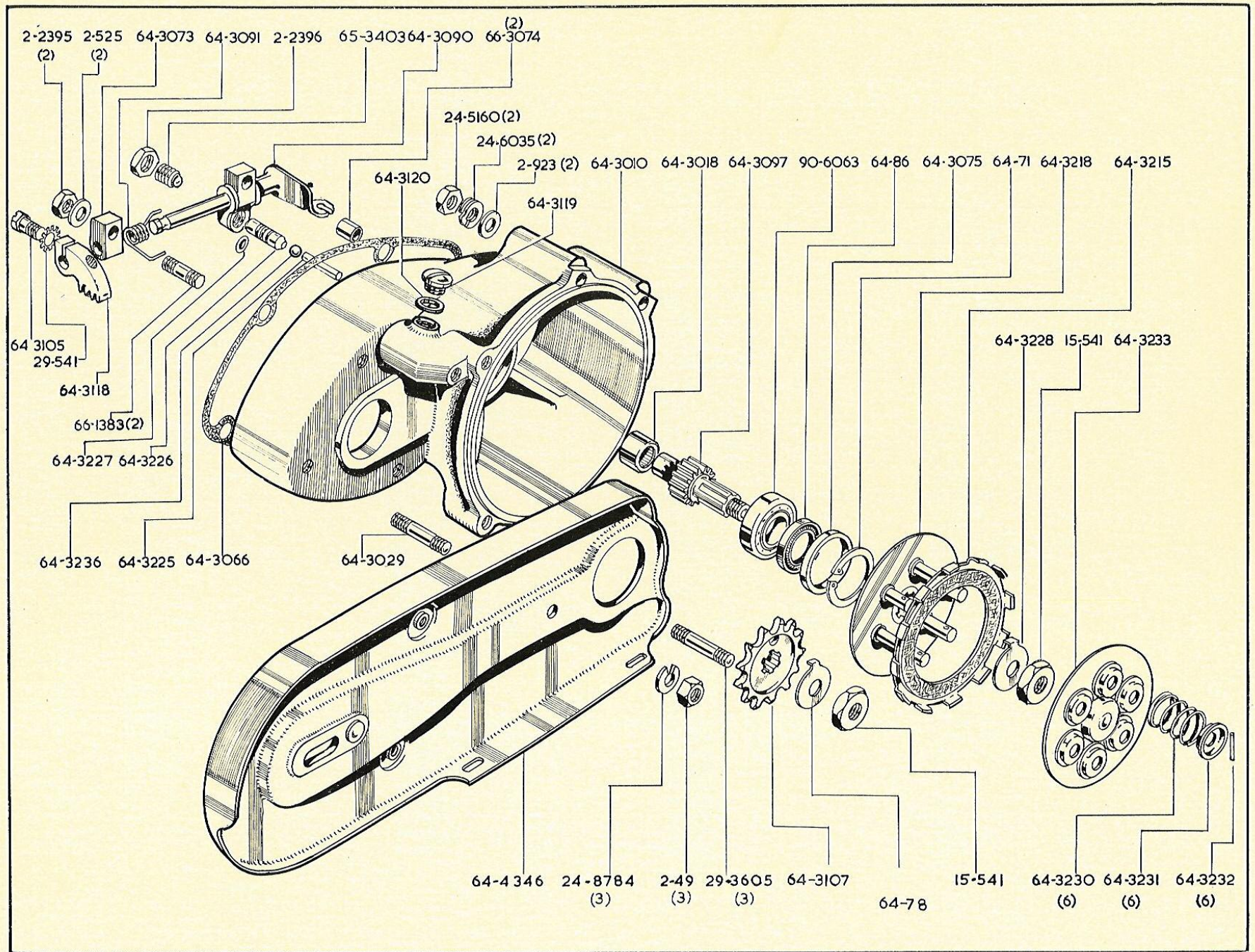


ENGINE. MOTEUR. MOTOR. MOTOR

Part No. No. de commande Bestell-nr No. de parte	Description	Designation	Benennung	Descripción	Per Set Nombre Anzahl Juego de
2-49	Nut	Ecrou	Mutter	Tuerca	3
2-130	Washer	Rondelle	Scheibe	Arandela	
2-525	Washer	Rondelle	Scheibe	Arandela	7
2-923	Washer	Rondelle	Scheibe	Arandela	3
2-2395	Nut	Ecrou	Mutter	Tuerca	7
15-431	Washer	Rondelle	Scheibe	Arandela	
15-541	Nut	Ecrou	Mutter	Tuerca	
19-323	Generator (Wico Pacy)	Générateur (Wico Pacy)	Generator (Wico Pacy)	Generador (Wico Pacy)	
19-1217	Generator (Lucas)	Générateur (Lucas)	Generator (Lucas)	Generador (Lucas)	
19-2337	Carburetter	Carburateur	Vergaser	Carburador	
21-6041	Bolt	Boulon	Schraube	Tornillo	2
24-978	Lockwasher	Arrêtoir	Sicherung	Freno	7
24-4217	Bearing	Roulement	Lager	Rolamiento	
29-541	Lockwasher	Arrêtoir	Sicherung	Freno	2
*64-12	Crankcase L/H	Carter de vilebrequin-gauche	Kurbelgehäuse-Links	Caja de cigüeñal-izq	
*64-14	Crankcase R/H	Carter de vilebrequin-droite	Kurbelgehäuse-Rechts	Caja de cigüeñal-der	
64-16	Stud	Goujon	Stehbolzen	Esparago	7
64-17	Rubber Plug	Cale caoutchouc	Gummistopfen	Tapón de goma	
64-18	Plastic Sleeve	Manchon plastique	Kunststoffhülse	Manguito plastico	
64-19	Rubber Grommet	Manchon caoutchouc	Gummitülle	Manguera de goma	
64-20	Cover	Chapeau de protection	Schutzkappe	Tapa	
64-24	Screw	Vis	Schraube	Tornillo	3
64-59	Bush	Douille	Büchse	Casquillo	
64-64	Crankshaft Assembly	Embielage	Kurbeltrieb	Ciguëñal	
64-71	Circlip	Arrêtoir	Sicherung	Freno	
64-72	Oil Seal Ring	Joint d'huile	Öldichtung	Reten de aceite	
64-78	Lockwasher	Arrêtoir	Sicherung	Freno	
64-79	Cotter	Clavette à rainure	Nutenkeil	Chaveta ordinaria	
64-83	Screw	Vis	Schraube	Tornillo	2
64-86	Oil Seal	Joint d'huile	Dichtring	Reten de aceite	
64-94	Grease Tube	Tube à graisse	Schmierrohr	Tubo de grasa	2
64-95	Grease Nipple	Graisser	Schmiernippel	Engrasador	
64-96	Spacer Bush	Bague d'écartement	Distanzring	Anillo espaciador	
64-3074	Dowel	Goupille cylindrique	Stift	Pasador	2
64-4030	Engine Plate	Plaque d'appui pour moteur	Motorabstützblech	Placa de apoyo del motor	
64-4031	Pivot Bolt	Boulon	Schraube	Tornillo	
64-4032	Self Locking Nut	Ecrou d'arrêt	Selbstsicherungsmutter	Tuerca de seguridad	
64-4033	Spacer Tube	Tube entretoise	Abstandrohr	Tubo espaciador	
64-4035	Washer	Rondelle	Scheibe	Arandela	2
64-4036	Bolt	Boulon	Schraube	Tornillo	2
67-1709	Washer	Rondelle	Scheibe	Arandela	
90-261	Drain Plug	Bouchon de vidange d'huile	Ablass Schraube	Tapón	
90-262	Sealing Ring	Bague d'étanchéité	Dichtring	Junta	
90-6063	Bearing	Roulement	Lager	Rolamiento	

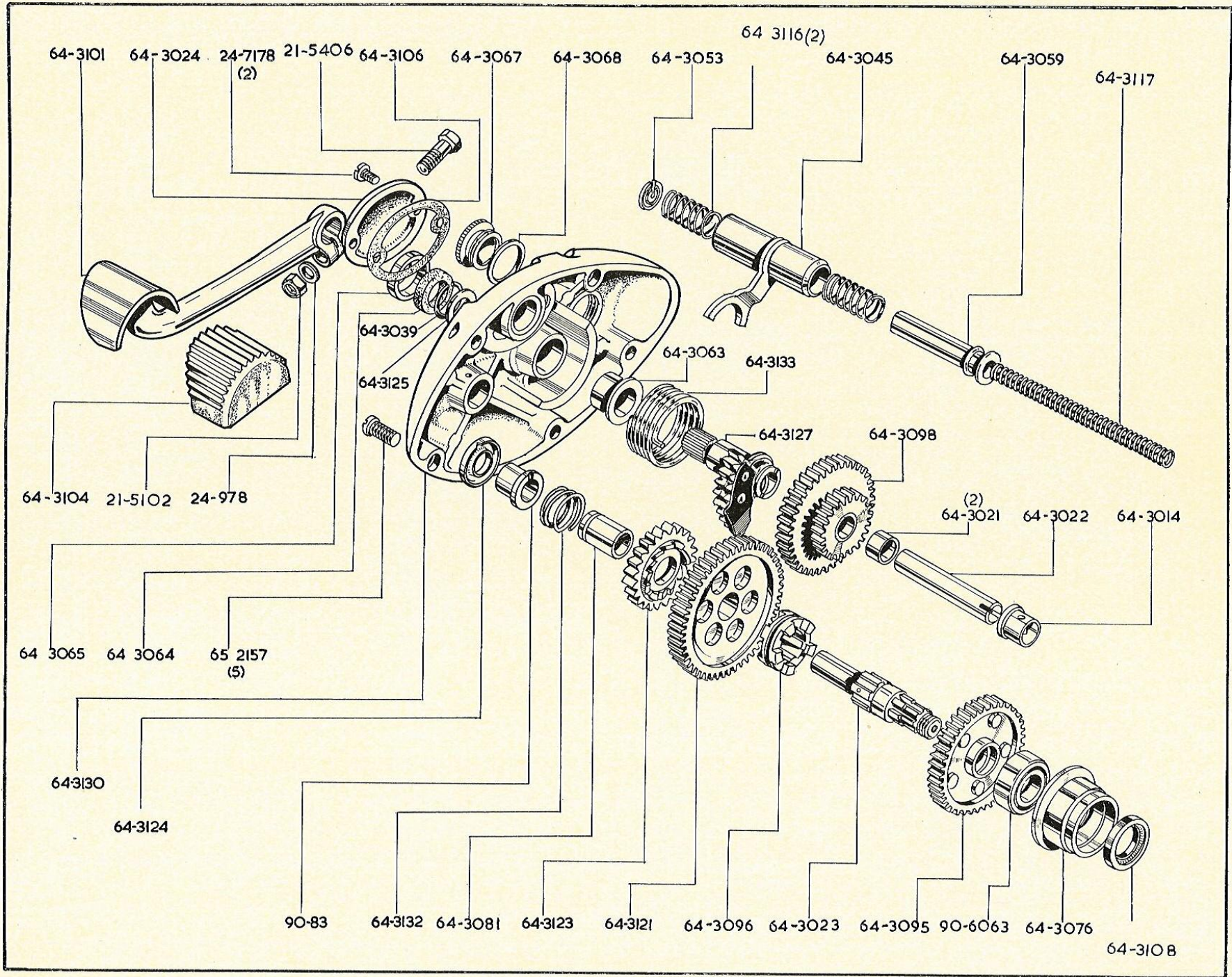
*Supplied only as crankcase complete 64-11.
*Livres seulement comme carter complet 64-11.

*Nur Aosl's Collvollständige Gehäuse Geliefert 64-11.
*Suministrads solamente como carter completo 64-11.



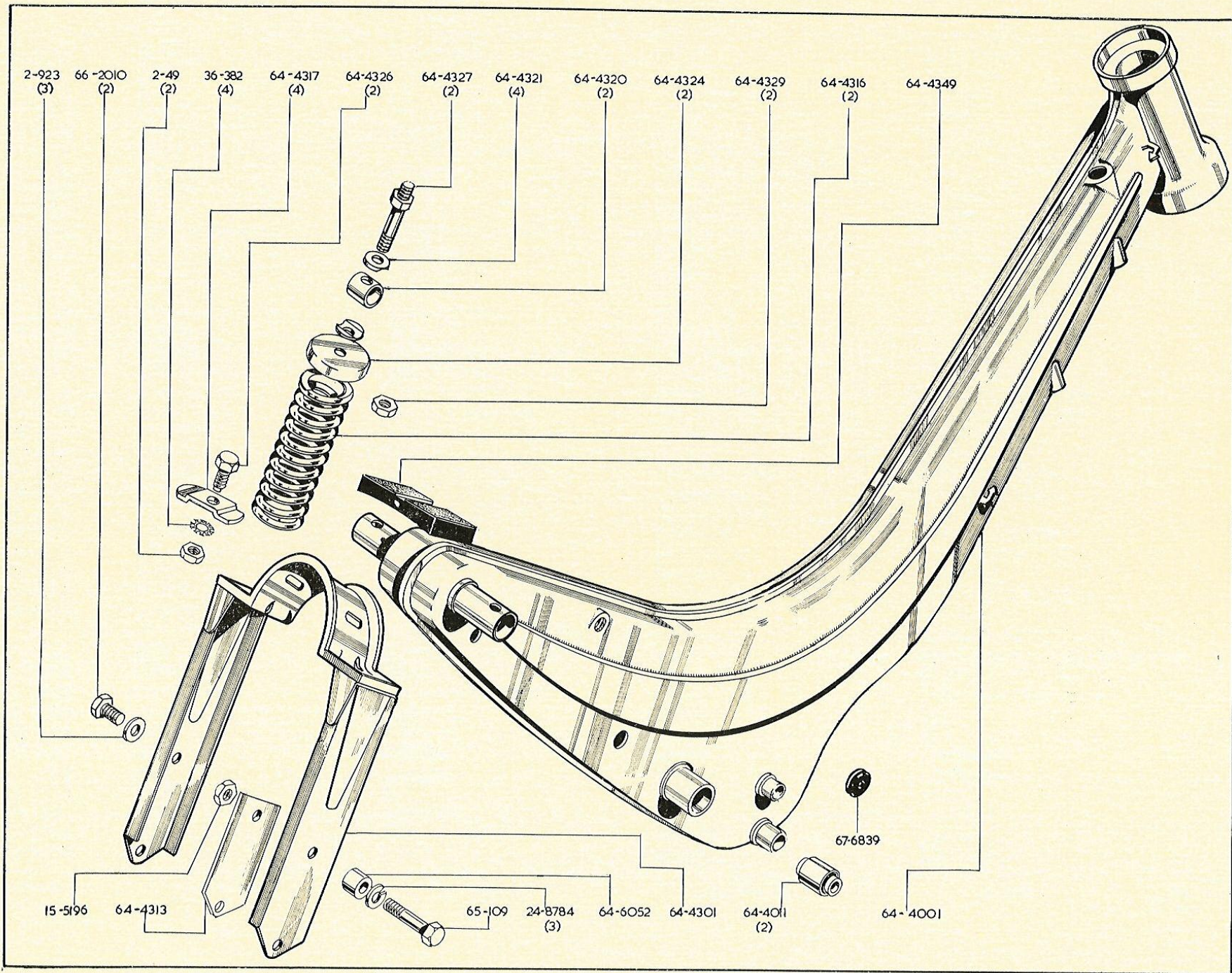
**GEARBOX, CHAINGUARD. BOITE de VITESSES, CARTER de CHAINE
GETRIEBE, KETTENKASTEN. CAJA de VELOCIDADES, GUARDACADENA**

Part No. No. de commande Bestell-nr No. de parte	Description	Designation	Benennung	Descripción	Per Set Nombre Anzahl Juego de
2-49	Nut	Ecrou	Mutter	Tuerca	3
2-525	Washer	Rondelle	Scheibe	Arandela	2
2-923	Washer	Rondelle	Scheibe	Arandela	2
2-2395	Nut	Ecrou	Mutter	Tuerca	2
2-2396	Nut	Ecrou	Mutter	Tuerca	2
15-541	Nut	Ecrou	Mutter	Tuerca	2
24-5160	Nut	Ecrou	Mutter	Tuerca	2
24-6035	Lockwasher	Arrêtoir	Sicherung	Freno	2
24-8784	Lockwasher	Arrêtoir	Sicherung	Freno	3
29-541	Lockwasher	Arrêtoir	Sicherung	Freno	3
29-3605	Stud	Goujon	Stehbolzen	Esparago	3
64-71	Circlip	Arrêtoir	Sicherung	Freno	
64-78	Lockwasher	Arrêtoir	Sicherung	Freno	
64-86	Oil Seal	Joint d'huile	Dichtring	Reten de aceite	
64-3010	Gearbox Case	Carter de changement de vitesses.	Getriebegehäuse	Caja de velocidades	
64-3018	Bearing	Roulement	Lager	Rolamiento	
64-3029	Stud	Goujon	Stehbolzen	Esparago	
64-3066	Gasket	Joint	Dichtung	Empaquetadura	
64-3073	Bearing Block	Palier	Lager	Cojinete	
64-3075	Oil Seal Ring	Bague du joint d'huile	Dichtring	Anillo del reten de aceite	
64-3090	Gearchange Spindle	Arbre de commande de changement de vitesses.	Schaltwelle	Arbol de cambio	
64-3091	Spring	Ressort	Feder	Resorte	
64-3097	Drive Shaft	Arbre d'entraînement	Antreibswelle	Arbol de transmisión	
64-3105	Bolt	Boulon	Schraube	Tornillo	
64-3107	Sprocket	Pignon	Ritzel	Piñon	
64-3118	Locking Arm	Levier d'arrêt	Sperrhebel	Brazo trabador	
64-3119	Plug	Boulon	Schraube	Tornillo	
64-3120	Sealing Washer	Joint	Dichtung	Arandela de reten	
64-3215	Driving Plate	Disque d'entraînement	Mitnehmerplatte	Placa de manda	
64-3218	Clutch Back Plate	Plateau d'embrayage	Kupplungscheibe	Placa del embrague	
64-3225	Clutch Rod (long)	Tige de traction (longue)	Zugstange (Lang)	Varilla del embrague (larga)	
64-3226	Clutch Rod (short)	Tige de traction (courte)	Zugstange (Kurz)	Varilla del embrague (corta)	
64-3227	"O" Ring	Bague "O"	"O" Ring	Anillo "O"	
64-3228	Lockwasher	Arrêtoir	Sicherung	Freno	
64-3230	Spring	Resort	Feder	Resorte	6
64-3231	Spring Cup	Douille	Hülse	Copa	6
64-3232	Peg	Goupille	Sicherungsstift	Esparago	6
64-3233	Clutch Pressure Plate	Disque extérieur d'embrayage	Aussere Kupplungscheibe	Disco exterior del embrague	
64-3236	Ball	Bille	Kugel	Bola	
64-4346	Chainguard	Carter de chaîne	Kettenkasten	Guardacadena	
65-3403	Screw	Vis	Schraube	Tornillo	
66-1383	Stud	Goujon	Stehbolzen	Esparago	2
66-3074	Dowel	Goupille cylindrique	Stift	Pasador	2
90-6063	Bearing	Roulement	Lager	Rolamiento	



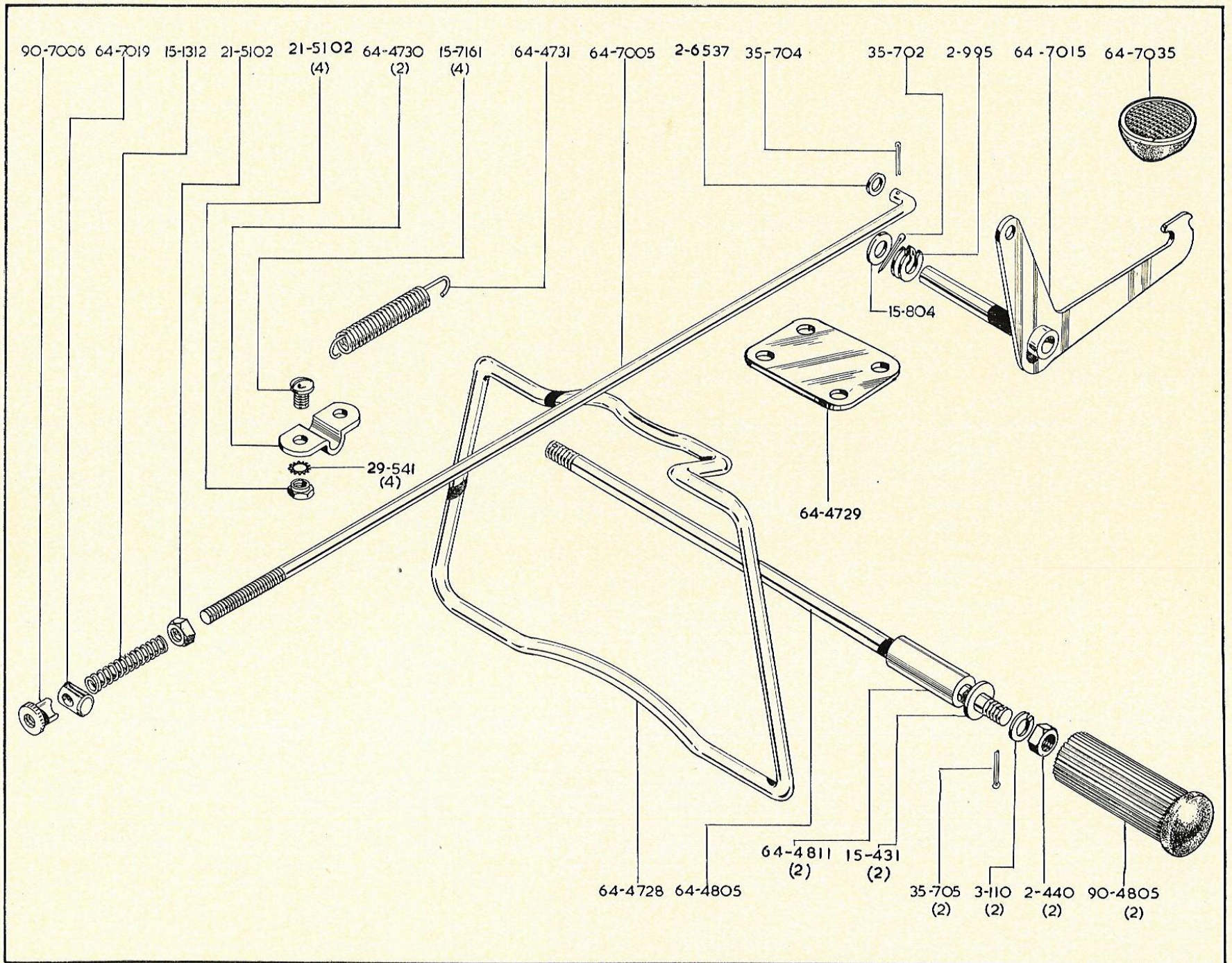
**GEAR CLUSTER, STARTER PEDAL. JEU D'ENGRENAGES, PEDALE de KICK
ZAHNRADSATZ, STARTKURBEL. JUEGO de ENGRANAJES, ARRANCADOR**

Part No. No. de commande Bestell-nr No. de parte	Description	Designation	Benennung	Descripción	Per Set Nombre Anzahl Juego de
21-5102	Nut	Ecrou	Mutter	Tuerca	
21-5406	Bolt	Boulon	Schraube	Tornillo	
24-978	Washer	Rondelle	Scheibe	Arandela	
24-7178	Screw	Vis	Schraube	Tornillo	2
64-3014	Bush	Douille	Büchse	Casquillo	
64-3021	Bus	Douille	Büchse	Casquillo	2
64-3022	Axle	Axe	Achse	Eje	
64-3023	Shaft	Arbre	Welle	Arbol	
64-3024	Cover Plate	Couvercle de palier	Lagerdeckel	Tapa del cojinete	
64-3039	Circlip	Arrêtoir	Sicherung	Freno	
64-3045	Selector Fork	Fourchette de commande de changement de vitesses	Schaltgabel	Horquilla de mando de caja de velocidades	
64-3053	Anchor Plate	Support	Halter	Soporte	
64-3059	Spring Casing	Capuchon de resort	Federhülse	Manguito del resorte	
64-3063	Bush	Douille	Büchse	Casquillo	
64-3064	Felt Washer	Rondelle feutre	Filz Scheibe	Arandela de fieltro	
64-3065	Oil Seal	Joint d'huile	Dichtring	Reten de aceite	
64-3067	Cap	Rondelle chapeau	Abdeckkappe	Tapon	
64-3068	Gasket	Joint	Dichtung	Empaquetadura	
64-3076	Bearing Housing	Boîtier de palier	Lagergehäuse	Caja del cojinete	
64-3081	Bush	Douille	Büchse	Casquillo	
64-3095	Pinion 42T	Pignon D-	Zahnrad Z -	Piñón D -	
64-3096	Sliding Dog	Crabot Coulissant	Schierklaue	Garra deslizantento	
64-3098	Gear Cluster	Jeu d'engrenages	Zahnradatz	Juego de engranajes	
64-3101	Starter Pedal	Pedale de kick	Startkurbel	Arrancador	
64-3104	Rubber Pad	Revêtement caoutchouc	Gummiauflage	Cojin de goma	
64-3106	Gasket	Joint	Dichtung	Empaquetadura	
64-3108	Oil Seal	Joint d'huile	Dichtring	Reten de aceite	
64-3116	Spring	Ressort	Feder	Resorte	2
64-3117	Spring	Ressort	Feder	Resorte	
64-3121	Pinion 53T	Pignon D -	Zahnrad Z -	Piñón D -	
64-3123	Ratchet Pinion	Pignon du rochet	Sperrwerkrad	Rueda de trinquete	
64-3124	Cup	Cuvette	Lagerchale	Grapa	
64-3125	Washer	Rondelle	Scheibe	Arandela	
64-3127	Quadrant	Secteur	Segment	Sector	
64-3130	Cover	Chapeau de protection	Schutzkappe	Tapa	
64-3132	Spring	Ressort	Feder	Resorte	
64-3133	Spring	Ressort	Feder	Resorte	
65-2157	Screw	Vis	Schraube	Tornillo	5
90-83	Bush	Douille	Büchse	Casquillo	
90-6063	Bearing	Roulement	Lager	Rolamiento	



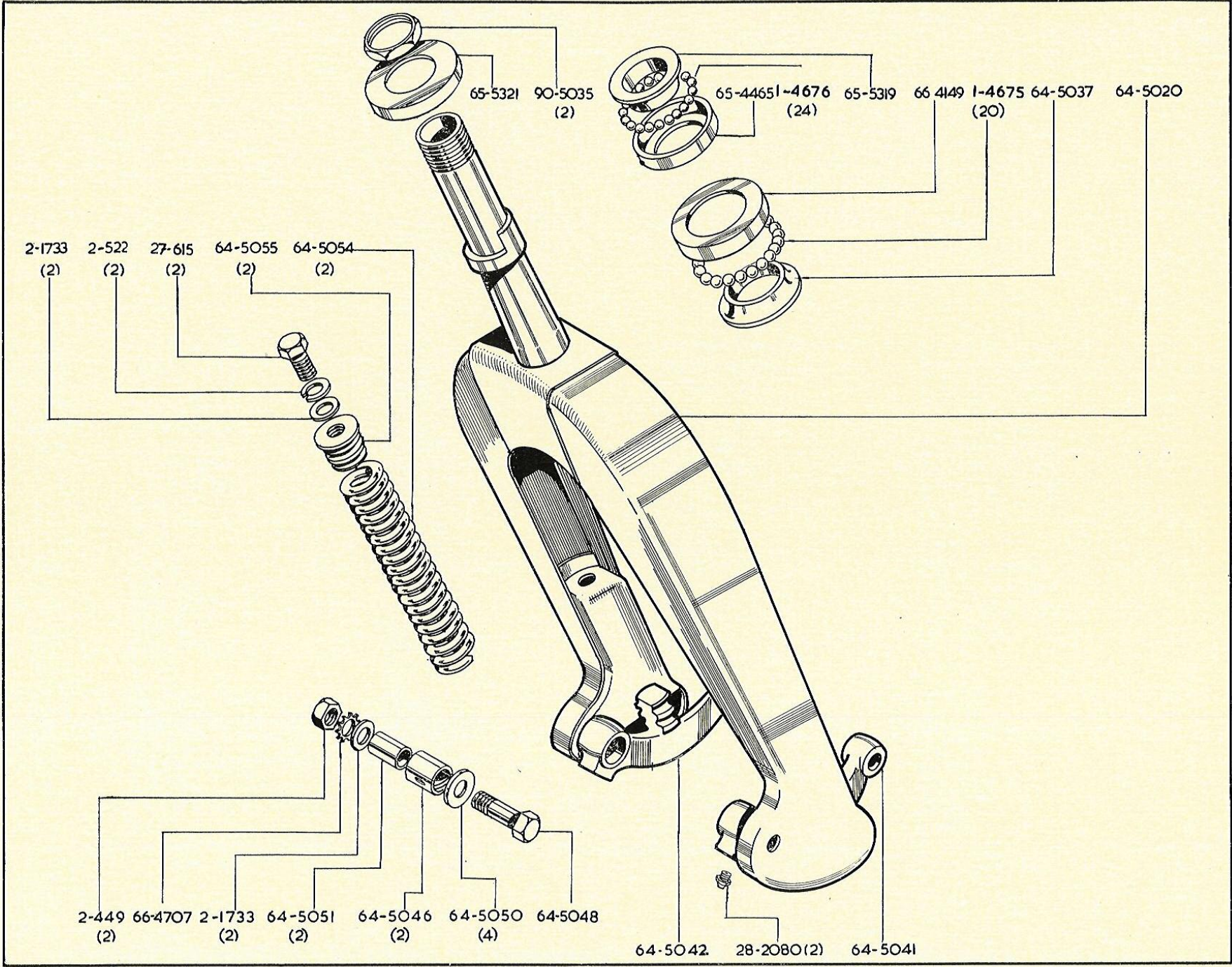
FRAME. CADRE. RAHMEN. CUADRO

Part No. No. de commande Bestell-nr No. de parte	Description	Designation	Benennung	Descripción	Per Set Nombre Anzahl Juego de
2-49	Nut	Ecrou	Mutter	Tuerca	2
2-923	Washer	Rondelle	Scheibe	Arandela	3
15-5196	Nut	Ecrou	Mutter	Tuerca	
24-8784	Lockwasher	Arrêtoir	Sicherung	Freno	3
36-382	Lockwasher	Arrêtoir	Sicherung	Freno	4
64-4001	Frame	Cadre	Rahmen	Cuadro	
64-4011	Bush	Douille	Büchse	Casquillo	2
64-4301	Rear Fork	Fourche ar.	Hinterradgabel	Horquilla tras.	
64-4313	Plate	Plaque	Scheibe	Placa	
64-4316	Spring	Ressort	Feder	Resorte	2
64-4317	Spring Plate	Support	Halter	Sujeción	4
64-4320	Bush	Douille	Büchse	Casquillo	2
64-4321	Saddle Washer	Rondelle pour jelle	Sattelscheibe	Arandela para silin	4
64-4324	Spring Cup	Douille	Hülse	Copa	2
64-4326	Bolt	Boulon	Schraube	Tornillo	2
64-4327	Stud	Goujon	Stehbolzen	Esparago	2
64-4329	Nut	Ecrou	Mutter	Tuerca	2
64-4349	Rubber Pad	Revetement caoutchouc	Gummiauflage	Cojin de goma	
64-6052	Spacer Tube	Tube entretoise	Abstandrohr	Tubo espaciador	
65-109	Bolt	Boulon	Schraube	Tornillo	
66-2010	Bolt	Boulon	Schraube	Tornillo	2
67-6839	Rubber Grommet	Manchon caoutchouc	Gummitülle	Manguera de goma	



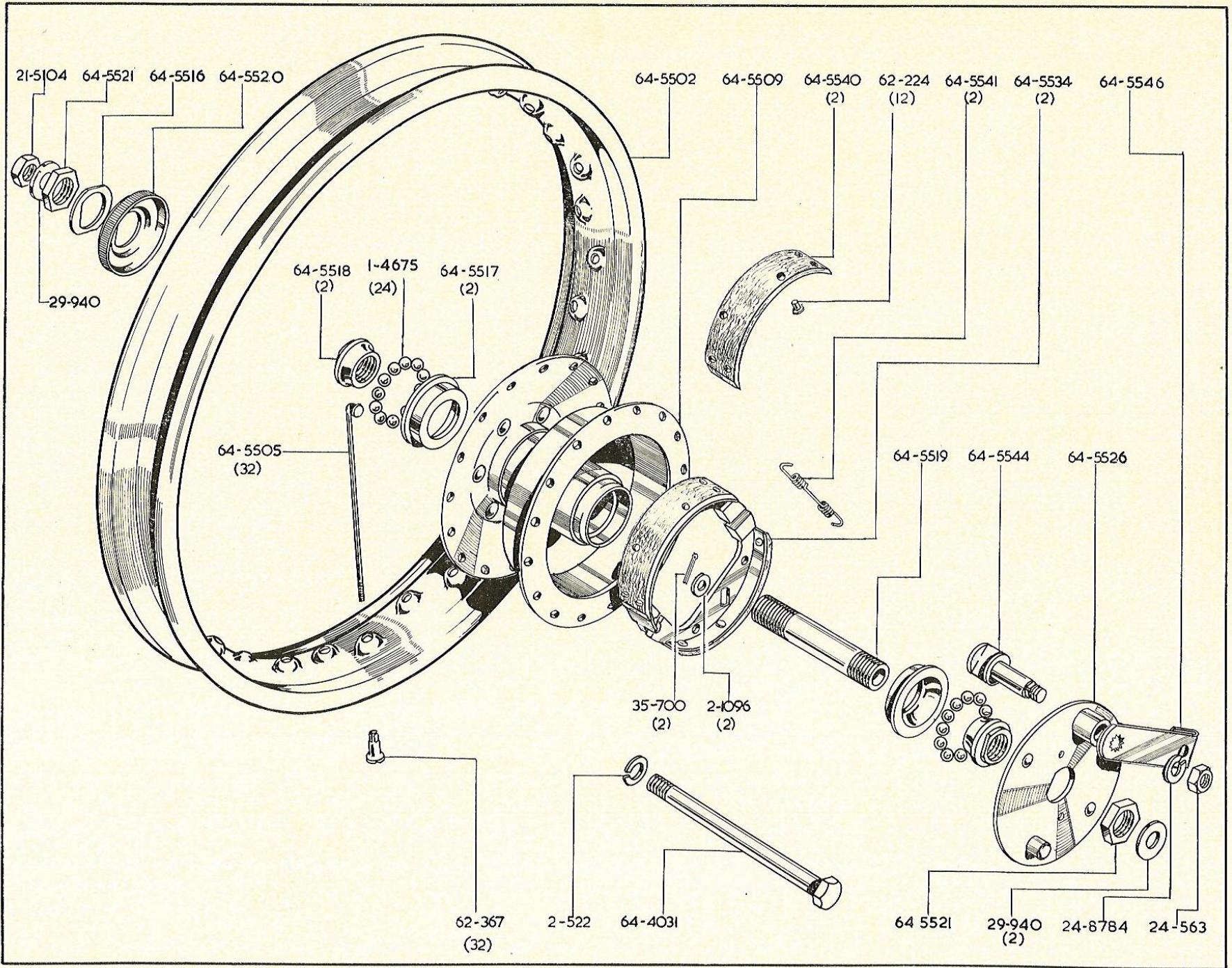
**BRAKE PEDAL, STAND, FOOTRESTS. PEDALE de FREIN, BEGUILLE, REPOSE-PIED
FUSSBREMSHEBEL, STANDER, FUSSRAST. PEDAL de FRENO, SOPORTE, ESTRIBO**

Part No. No.de commande Bestell-nr No. de parte	Description	Designation	Benennung	Descripción	Per Set Nombre Anzahl Juego de
2-440	Nut	Ecrou	Mutter	Tuerca	2
2-995	Lockwasher	Arrêtoir	Sicherung	Freno	
2-6537	Washer	Rondelle	Scheibe	Arandela	
3-110	Lockwasher	Arrêtoir	Sicherung	Freno	2
15-431	Washer	Rondelle	Scheibe	Arandela	2
15-804	Washer	Rondelle	Scheibe	Arandela	
15-1312	Spring	Ressort	Feder	Resorte	
15-7161	Screw	Vis	Schraube	Tornillo	4
21-5102	Nut	Ecrou	Mutter	Tuerca	5
29-541	Lockwasher	Arrêtoir	Sicherung	Freno	4
35-702	Split Pin	Goupille	Splint	Chaveta hendida	
35-704	Split Pin	Goupille	Splint	Chaveta hendida	
35-705	Split Pin	Goupille	Splint	Chaveta hendida	2
64-4728	Stand	Bequille centrale	Kippständer	Soporte central	
64-4729	Plate	Plaque	Scheibe	Placa	
64-4730	Bracket	Support	Lagerbock	Soporte	2
64-4731	Spring	Ressort	Feder	Resorte	
64-4805	Footrest Rod	Tringle marchepied	Fubrettstange	Varilla del estribo	
64-4811	Spacer Tube	Tube entretoise	Abstandrohr	Tubo espaciador	2
64-7005	Brake Rod	Tringle de frein	Zugstange	Tirante de freno	
64-7015	Brake Pedal	Pédale de frein	Fussbremshebel	Pedal de freno	
64-7019	Swivel Pin	Goupille simple	Stift	Esparago	
64-7035	Rubber Pad	Revêtement caoutchouc	Gummiauflage	Cojin de goma	
90-4805	Rubber Pad	Revêtement caoutchouc	Gummiauflage	Cojin de goma	2
90-7006	Adjuster Nut	Ecrou de réglage	Verstellungsmutter	Tuerca de ajuste	



FRONT FORK. FOURCHE AV. VORDERGABEL. HORQUILLA DELANTERA

Part No. No. de commande Bestell-nr No. de parte	Description	Designation	Benennung	Descripción	Per Set Nombre Anzahl Juego de
1-4675	Ball (lower)	Bille (inférieure)	Kugel Unten	Bola inf.	20
1-4676	Ball (upper)	Bille (supérieure)	Kugel Oben	Bola sup.	24
2-449	Nut	Ecrou	Mutter	Tuerca	2
2-522	Lockwasher	Arrêtoir	Sicherung	Freno	2
2-1733	Washer	Rondelle	Scheibe	Arandela	4
27-615	Bolt	Boulon	Schraube	Tornillo	2
28-2080	Grease Nipple	Graisser	Schmiernippel	Engrasador	2
64-5020	Front Fork Complete	Fourche avant complète	Vordergabel Vollst	Horquilla delantera comp.	
64-5037	Bearing Cone (lower)	Cone inférieure	Lagerkonus Unten	Cona de cojinete inf.	
64-5041	Pivot Link R/H	Biellette oscillante (droite)	Schwinghebel (Rechts)	Brida pivotante (der)	
64-5042	Pivot Link L/H	Biellette oscillante (gauche)	Schwinghebel (Links)	Brida pivotante (izq)	
64-5046	Bush	Douille	Büchse	Casquillo	2
64-5048	Bolt	Boulon	Schraube	Tornillo	
64-5050	Washer	Rondelle	Scheibe	Arandela	4
64-5051	Spacer Tube	Tube entretoise	Abstandrohr	Tubo espaciador	2
64-5054	Spring	Ressort	Feder	Resorte	2
64-5055	Spring Anchorage	Ancrage du ressort	Federanker	Sujeción del resorte	2
65-4465	Bearing Cup (upper)	Cuvette de roulement (sup.)	Lagerschale (Oben)	Copa de rodamiento (sup.)	
65-5319	Bearing Cone (upper)	Cone (supérieure)	Lagerkonus (Oben)	Cona de cojinete (sup.)	
65-5321	Cap	Rondelle chapeau	Abdeckkappe	Tapon	
66-4149	Bearing Cup (lower)	Cuvette de roulement (inf.)	Lagerschale (Unten)	Copa de rodamiento (inf.)	
66-4707	Lockwasher	Arrêtoir	Sicherung	Freno	
90-5035	Adjuster Nut	Ecrou de réglage	Verstellungsmutter	Tuerca de ajuste	2



FRONT WHEEL. ROUE AV. VORDERRAD. RUEDA DALANTERA

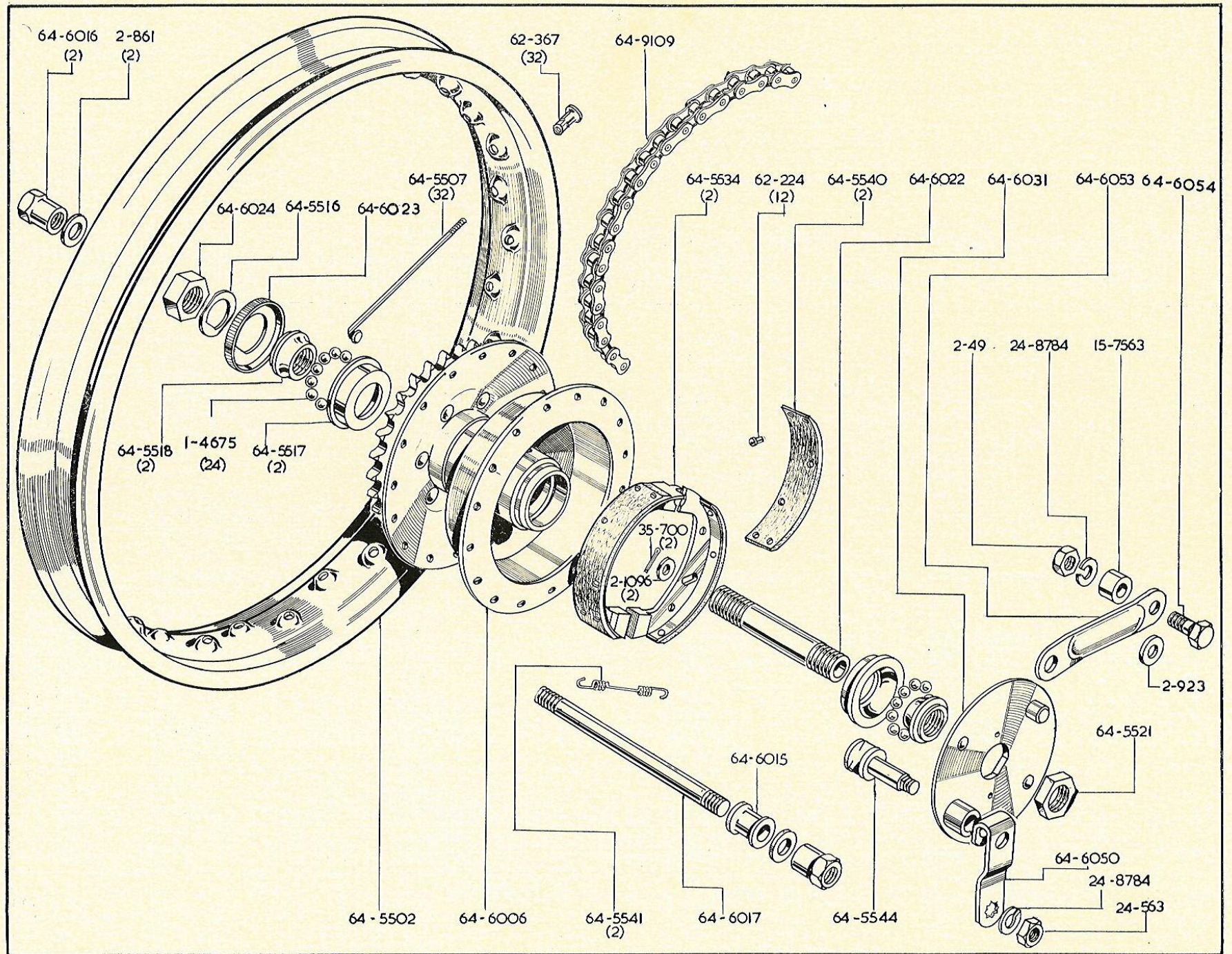
Part No. No. de commande Bestell-nr No. de parte	Description	Designation	Benennung	Descripción	Per Set Nombre Anzahl Juego de
1-4675	Ball	Bille	Kugel	Bola	24
2-522	Lockwasher	Arrêtoir	Sicherung	Freno	
2-1096	Washer	Rondelle	Scheibe	Arandela	2
21-5104	Nut	Ecrou	Mutter	Tuerca	
24-563	Nut	Ecrou	Mutter	Tuerca	
24-8784	Lockwasher	Arrêtoir	Sicherung	Freno	
*29-940	Washer	Rondelle	Scheibe	Arandela	3
35-700	Split Pin	Goupille	Splint	Chaveta hendida	2
62-224	Rivet	Rivet	Niet	Remache	2
62-367	Nipple	Ecrou	Nipple	Tuerca	32
64-4031	Axle	Axe	Achse	Eje	
64-5501	Front Wheel	Roue av.	Vorderrad	Rueda delantera	
64-5502	Rim	Jante	Felge	Llanta	
64-5505	Spoke	Rayon	Speiche	Raio	32
64-5509	Front Hub	Moyeu de roue av.	Vorderradnabe	Cubo de rueda del	
64-5516	Washer	Rondelle	Scheibe	Arandela	
64-5517	Bearing Cup	Cuvette de roulement	Lagerschale	Copa de rolamiento	
64-5518	Bearing Cone	Cone	Lagerkonus	Cona de cojinete	
64-5519	Spacer Tube	Tube entretoise	Abstandrohr	Tube espaciador	
64-5520	Cap	Rondelle chapeau	Abdeckkappe	Tapon	
64-5521	Nut	Ecrou	Mutter	Tuerca	2
64-5526	Brake Back Plate	Disque de frein	Bremsscheibe	Disco de freno	
64-5534	Brake Shoe	Segment	Bremsbacke	Zapata	2
64-5540	Brake Lining	Garniture	Belag	Guarnición	2
64-5541	Spring	Ressort	Feder	Resorte	2
64-5544	Brake Cam	Clé de frein	Bremsschlüssel	Llave de freno	
64-5546	Brake Cam Lever	Levier de frein	Bremshebel	Palanca de freno	

*Four required when speedo, gearbox is not fitted.

*Il faut, 4 quand un engrenage pour le compteur n'est pas monte.

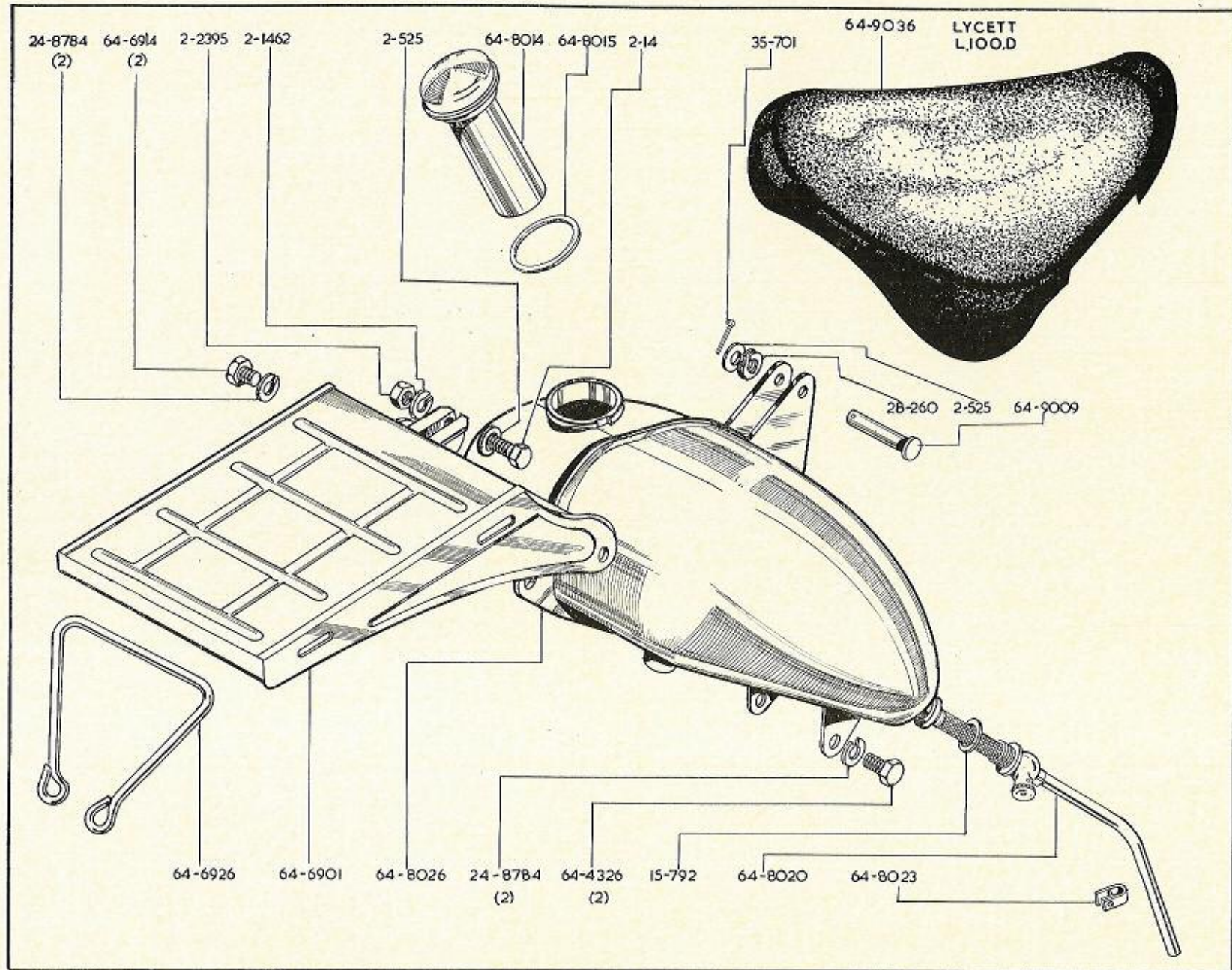
*4 Sind Erforderlich Wenn Die Maschine Nicht Mit Tachogetrier
Versehen Ist.

*Se requiere 4 cuando un engranaje para el velocimetro no es montado.



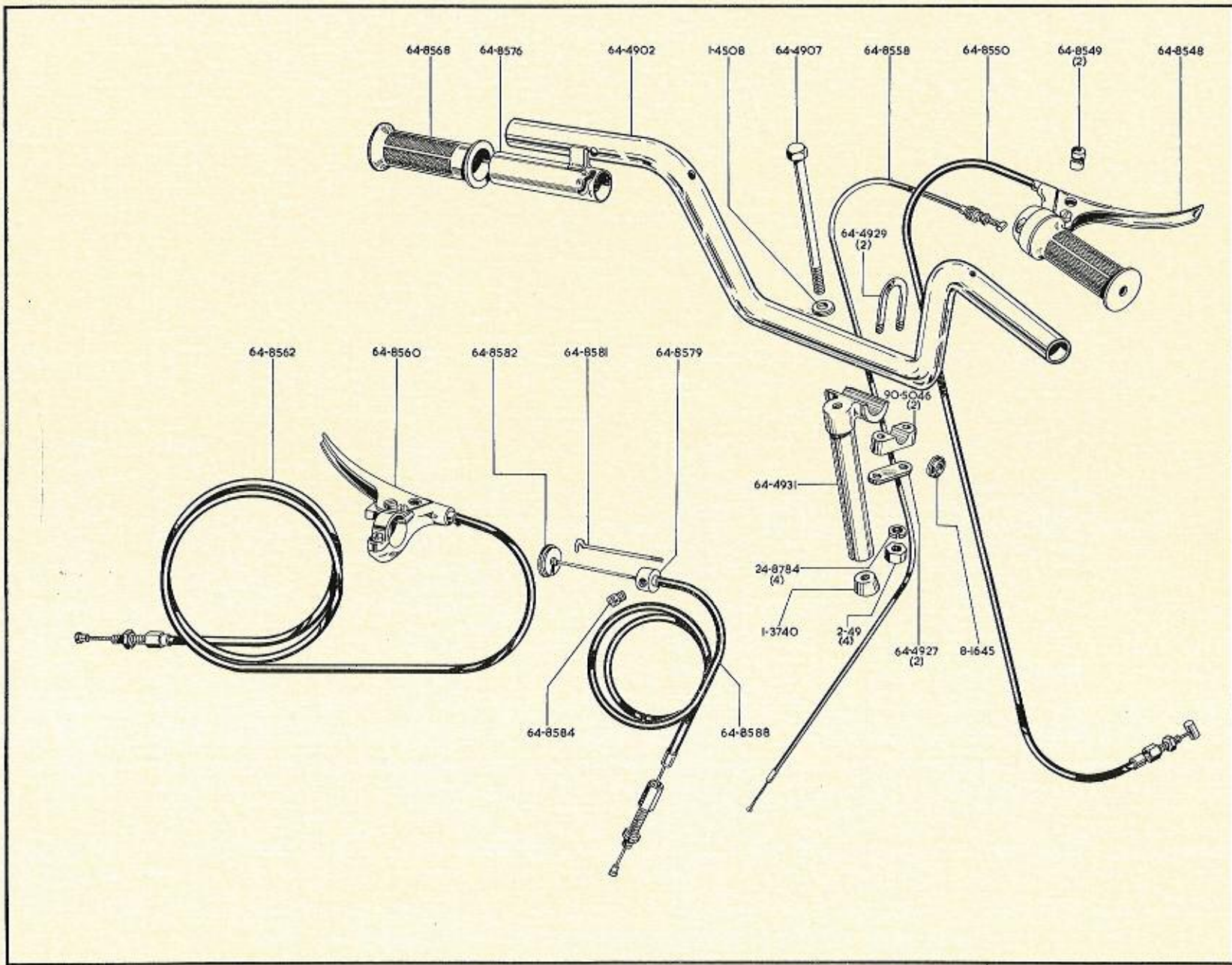
REAR WHEEL. ROUE AR. HINTERRAD. RUEDA TRASERA

Part No. No. de commande Bestell-nr No. de parte	Description	Designation	Benennung	Descripción	Per Set Nombre Anzahl Juego de
1-4675	Ball	Bille	Kugel	Bola	24
2-49	Nut	Ecrou	Mutter	Tuerca	
2-861	Washer	Rondelle	Scheibe	Arandela	2
2-923	Washer	Rondelle	Scheibe	Arandela	
2-1096	Washer	Rondelle	Scheibe	Arandela	2
15-7563	Spacer Bush	Bague d'écartement	Distanzring	Anillo espaciador	
24-563	Nut	Ecrou	Mutter	Tuerca	
24-8784	Lockwasher	Arrêtoir	Sicherung	Freno	2
35-700	Split Pin	Goupille	Splint	Chaveta hendida	2
62-224	Rivet	Rivet	Niet	Remache	12
62-367	Nipple	Ecrou	Nipple	Tuerca	32
64-5502	Rim	Jante	Felge	Llanta	
64-5507	Spoke	Rayon	Speiche	Raio	32
64-5516	Washer	Rondelle	Scheibe	Arandela	
64-5517	Bearing Cup	Cuvette de roulement	Lagerschale	Copa de rolamiento	2
64-5518	Bearing Cone	Cone	Lagerkonus	Cona de cojinete	2
64-5521	Nut	Ecrou	Mutter	Tuerca	
64-5534	Brake Shoe	Segment	Bremsbacke	Zapata	2
64-5540	Brake Lining	Garniture	Belag	Guarnición	2
64-5541	Spring	Ressort	Feder	Resorte	2
64-5544	Brake Cam	Clé de frein	Bremsschlüssel	Llave de freno	
64-6001	Rear Wheel	Roue ar	Hinterrad	Rueda trasera	
64-6006	Rear Hub	Moyeu de roue ar	Hinterradnabe	Cubo de rueda tras	
64-6015	Spacer Bush	Bague d'écartement	Distanzring	Anillo espaciador	
64-6016	Nut	Ecrou	Mutter	Tuerca	2
64-6017	Axle	Axe	Achse	Eje	
64-6022	Spacer Tube	Tube entretoise	Abstandrohr	Tubo espaciador	
64-6023	Cap	Rondelle chapeau	Abdeckkappe	Tapon	
64-6024	Nut	Ecrou	Mutter	Tuerca	
64-6031	Brake Back Plate	Disque de frein	Bremsscheibe	Disco de freno	
64-6050	Brake Cam Lever	Levier de frein	Bremshebel	Palanca de freno	
64-6053	Anchor Strap	Ancrage de frein	Bremsanker	Anclaje de freno	
64-6054	Bolt	Boulon	Schraube	Tornillo	
64-9109	Chain	Chaîne	Kette	Cadena	



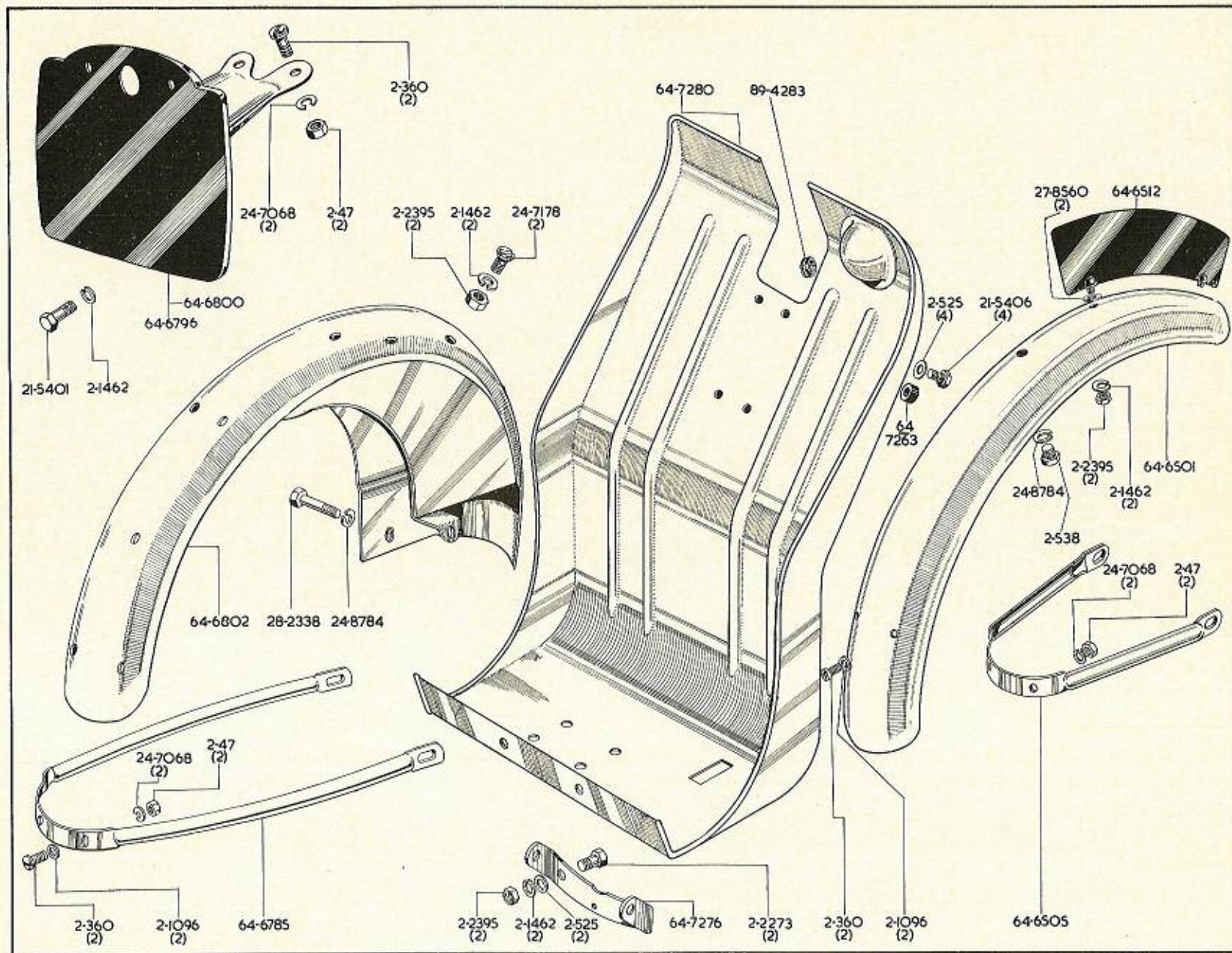
**SADDLE, PETROL TANK, CARRIER. SELLE, RESERVOIR A CARBURANT, PORTE-BAGAGES
SATTEL, KRAFTSTOFFBEHALTER, GEPACKTRAGER
SILLIN, DEPOSITO de COMBUSTIBLE, PORTA EQUIPAJE**

Part No. No. de commande Bestell-nr No. de parté	Description	Designation	Benennung	Descripción	Per Set Nombre Anzahl Juego de
2-14	Bolt	Boulon	Schraube	Tornillo	
2-525	Washer	Rondelle	Scheibe	Arandela	2
2-1462	Lockwasher	Arrêtoir	Sicherung	Freno	
2-2395	Nut	Ecrou	Mutter	Tuerca	
15-792	Sealing Washer	Joint	Dichtung	Arandela de reten	
24-8784	Lockwasher	Arrêtoir	Sicherung	Freno	4
28-260	Spring Washer	Arrêtoir	Sicherung	Freno	
35-701	Split Pin	Goupille	Splint	Chaveta hendida	
64-4326	Bolt	Boulon	Schraube	Tornillo	
64-6901	Carrier	Porte-bagages	Gepäckträger	Porta equipaje	
64-6914	Bolt	Boulon	Schraube	Tornillo	2
64-6926	Lifting Handle	Poignée de levage	Hebegriff	Puño elevadoro	
64-8014	Filler Cap	Bouchon de réservoir	Verschluss	Tapa	
64-8015	Sealing Washer	Joint	Dichtung	Arandela de reten	
64-8020	Petrol Pipe and Tap	Tuyau á essence avec robinet	Benzinschlauch Mit Hahn	Caño de benzina con grifo	
64-8023	Clip Complete	Bride complète	Klammer Vollst	Grapa completa	
64-8026	Petrol Tank	Réservoir á carburant	Kraftstoffbehälter	Deposito de combustible	
64-9009	Pivot Pin	Axe	Bolzen	Eje	
64-9036	Saddle	Selle	Sattel	Sillin	



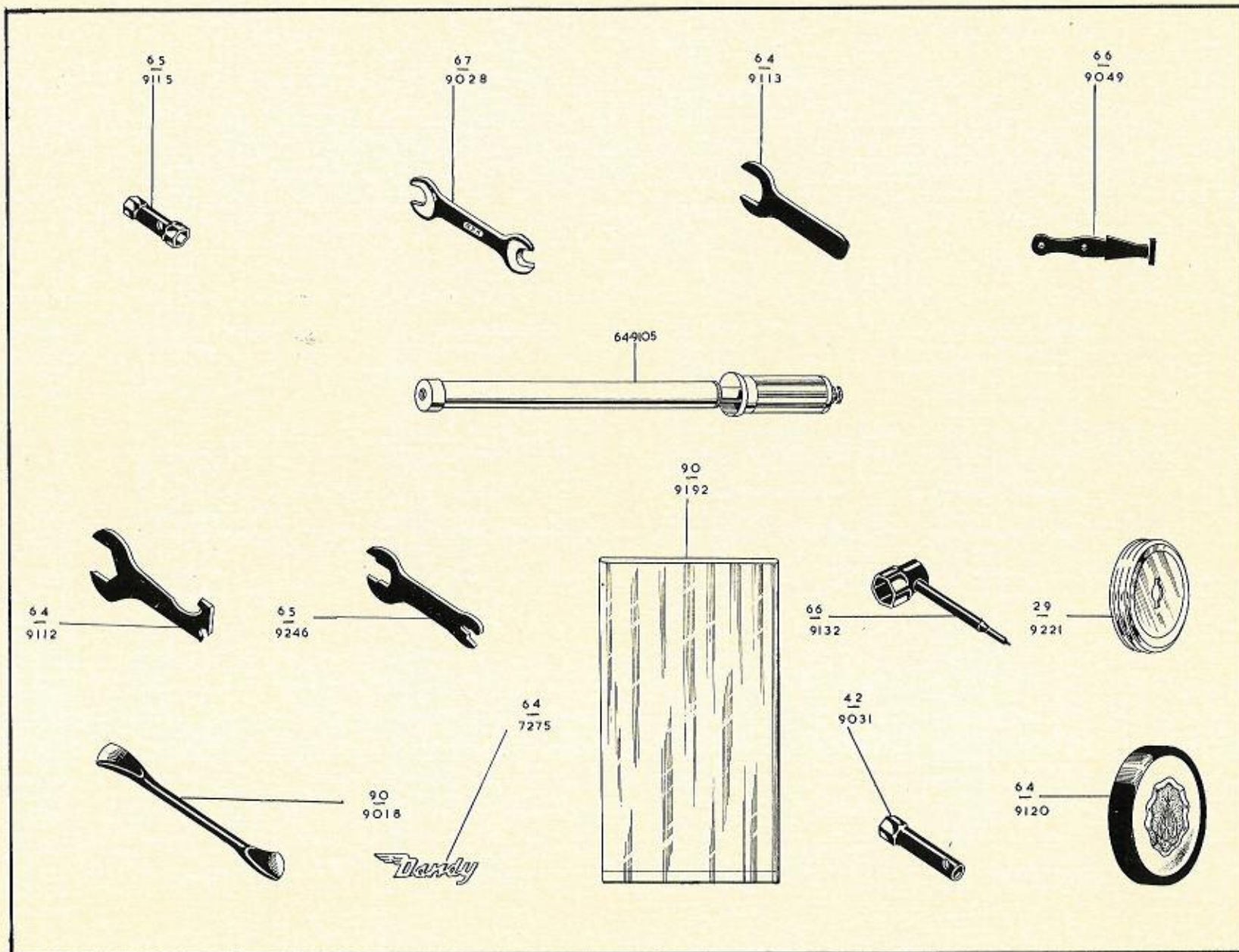
HANDLEBAR and CONTROLS. GUIDON ET COMMANDES
LENKER und STEURUNG. MANILLAR Y MANDOS

Part No. No. de commande Bestell-nr No. de parte	Description	Designation	Benennung	Descripción	Per Set Nombre Anzahl Juego de
1-3740	Cone	Cone	Konus	Cona	
1-4508	Washer	Rondelle	Scheibe	Arandela	
2-4	Nut	Ecrou	Mutter	Tuerca	4
8-1645	Rubber Grommet	Manchon caoutchouc	Gummitülle	Manguera de goma	
24-8784	Lockwasher	Arrêtoir	Sicherun	Freno	4
64-4902	Handlebar	Guidon	Lenker	Manillar	
64-4907	Bolt	Boulon	Schraube	Tornillo	
64-4927	Plate	Plaque	Scheibe	Placa	2
64-4929	"U" Bolt	Boulon "U"	"U" Schraube	Tornillo "U"	2
64-4931	Handlebar Stem	Tube du guidon	Lenkstange	Tubo del manillar	
64-8548	Brake Lever and Twist Grip	Levier de frein avec poignee Tournante des gaz	Bremshebel Mit Vergaser- Drehgriff	Planca de freno y puño giratorio de gas	
64-8549	Cable Stop	Goupille d'arrêt	Sperrnippel	Boton retentor	2
64-8550	Front Brake Cable	Cable bowden de commande du frein avant.	Seilzug Für Vorderradbremse	Cable bowden para freno delantero.	
64-8558	Throttle Cable	Cable bowden de commande du carburateur.	Seilzug Für Vergaser	Cable bowden para acelerador	
64-8560	Clutch Lever	Levier pour embrayage	Kupplungshebel	Palanca del embrague	
64-8562	Clutch Cable	Cable bowden de commande de l'embrayage.	Seilzug Für Kupplung	Cable bowden para embrague	
64-8568	Rubber Grip L/H	Poignée fixe de caoutchouc	Gummifest Griff	Puño fijo de goma	
64-8576	Gear Control Sleeve	Manchon du commande de vitesses.	Hülse Für Getriebeseil-Zug	Manguito del cable de comando de velocidades.	
64-8579	Cable Stop	Goupille d'arrêt	Sperrnippel	Boton retentor	
64-8581	Rod	Tringle	Zugstange	Varilla	
64-8582	End Cap	Capuchon de fermeture	Abschlusskappe	Tapa cerradora	
64-8584	Grub Screw	Cheville taravdée	Gewindestift	Tornillo prisonero	
64-8588	Gear Control Cable	Cable de commande des vitesses.	Seilzug Für Getriebe	Cable de comando de velocidades.	
90-5046	Clamp	Bride	Lasche	Brida	2



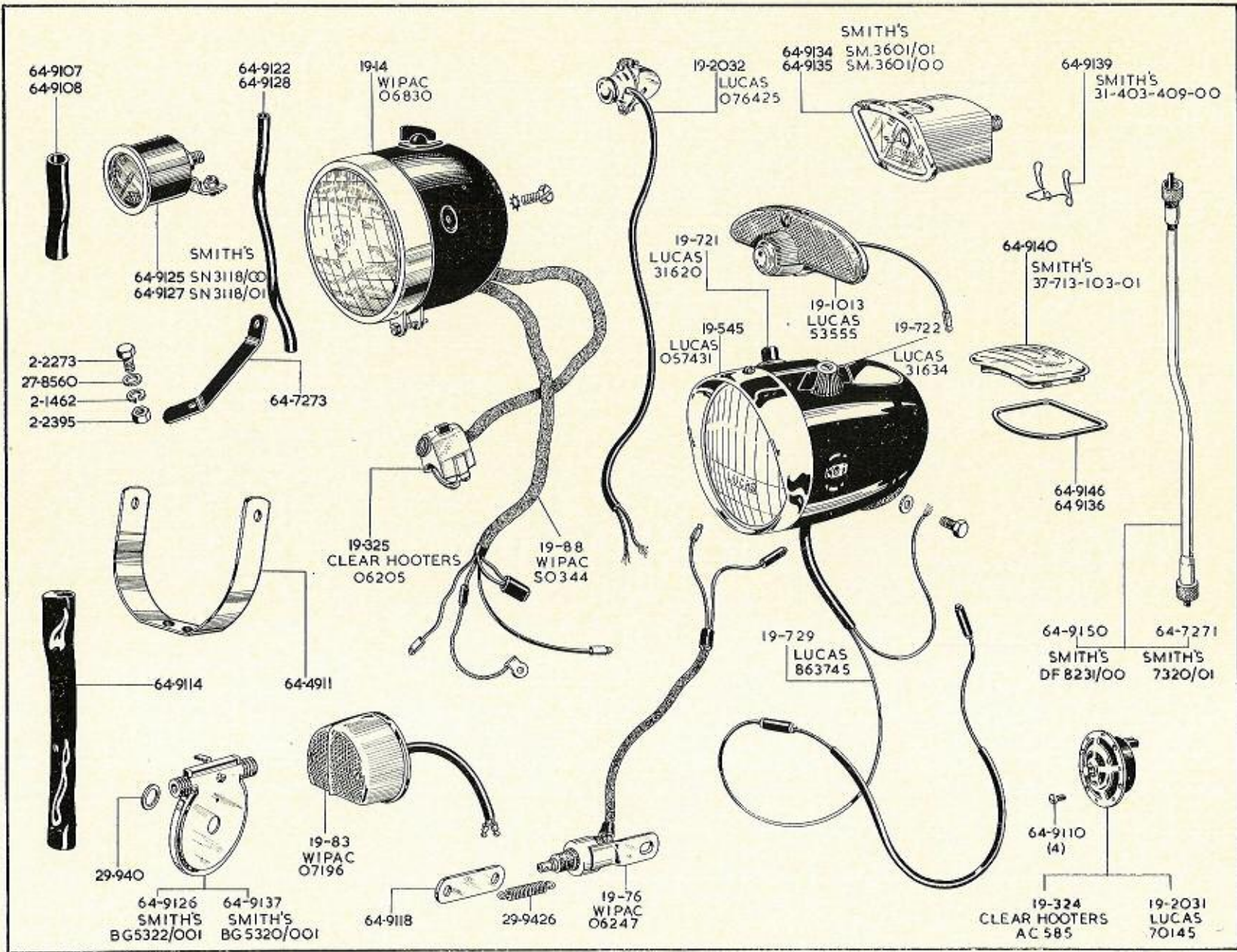
**LEGSHIELDS, MUDGUARDS. PROTEGE-JAMBES et GARDEBOUE
BEINSCHILD und SCHUTZBLECHE. GUARDAPIERNAS Y GUARDABARROS**

Part No. No. de commande Bestell-nr No. de parte	Description	Designation	Benennung	Descripción	Per Set Nombre Anzahl Juego de
2-47	Nut	Ecrou	Mutter	Tuerca	6
2-360	Screw	Vis	Schraube	Tornillo	6
2-525	Washer	Rondelle	Scheibe	Arandela	6
2-538	Bolt	Boulon	Schraube	Tornillo	
2-1096	Washer	Rondelle	Scheibe	Arandela	4
2-1462	Lockwasher	Arrêtoir	Sicherung	Freno	7
2-2273	Bolt	Boulon	Schraube	Tornillo	2
2-2395	Nut	Ecrou	Mutter	Tuerca	6
21-5401	Bolt	Boulon	Schraube	Tornillo	
21-5406	Bolt	Boulon	Schraube	Tornillo	4
24-7068	Lockwasher	Arrêtoir	Sicherung	Freno	6
24-7178	Screw	Vis	Schraube	Tornillo	2
24-8784	Lockwasher	Arrêtoir	Sicherung	Freno	2
27-8560	Washer	Rondelle	Scheibe	Arandela	2
28-2338	Bolt	Boulon	Schraube	Tornillo	
64-6501	Front Mudguard	Guard-boue de rolie av	Vorderradschutzblech	Guardabarro del	
64-6505	Front Stay	Tringle av	Vorderstrebe	Tirante del	
64-6512	No. Plate	Plaque de police	Kennzeichenschild	Chapa de patente	
64-6785	Rear Stay	Tringle ar	Hinterstrebe	Tirante tras	
64-6796	No. Plate (Lucas)	Plaque de police (Lucas)	Kennzeichenschild (Lucas)	Chapa de patente (Lucas)	
64-6800	No. Plate (Wipac)	Plaque de police (Wipac)	Kennzeichenschild (Wipac)	Chapa de patente (Wipac)	
64-6802	Rear Guard	Guard-boue de roue ar	Hinterradschutzblech	Guardabarro tras	
64-7263	Spacer Bush	Bague d'écartement	Distanzring	Anillo espaciador	
64-7276	Bracket	Support	Lagerbock	Soporte	
64-7280	Legshield	Protege-jambe	Beinschild	Guardapiernas	
89-4283	Rubber Grommet	Manchon caoutchouc	Gummihülle	Manguera de goma	



TOOLS. OUTILS. WERKZEUGER. HERRAMIENTOS

Part No. No. de commande Bestell-nr No. de parte	Description	Designation	Benennung	Descripción	Per Set Nombre Anzahl Juego de
29-9221	Licence Holder	Porte permet	Licenzhalter	Portalicencia	
42-9031	Box Spanner	Clé à douille	Steckschlüssel	Llave de tubo	
64-7275	Name Plate	Ecusson "Dandy"	Typzeichen "Dandy"	Placa "Dandy"	
64-9105	Inflator	Pompe à air	Luftpumpe	Bomba de aire	
64-9112	Double Ended Spanner	Clé à fourche double	Doppelschraubenschlüssel	Llave de dos bocas	
64-9113	Spanner	Clé à écrous	Schraubenschlüssel	Llave de tuercas	
64-9115	Tool Kit Complete	Outillage complète	Werkzeug Vollst	Herramientos comp.	
64-9120	Badge	Ecusson	Firmenzeichen	Emblema	
65-9115	Box Spanner	Clé à douille	Steckschlüssel	Llave de tubo	
66-9246	Double Ended Spanner	Clé à fourche double	Doppelschraubenschlüssel	Llave de dos bocas	
66-9049	Rubber Band	Bande caoutchouc	Gummiband	Cinta de goma	
67-9132	Box Spanner	Clé à douille	Steckschlüssel	Llave de tubo	
67-9028	Double Ended Spanner	Clé à fourche double	Doppelschraubenschlüssel	Llave de dos bocas	
90-9018	Tyre Lever	Démonte-pneu	Reifenheber	Palanca Desmonta- neumaticos.	
90-9192	Tool Bag	Trousse à outils	Werkzeughülle	Bolsa de herramientas	



**ELECTRICAL and SUNDRIES. EQUIPEMENT ELECTRIQUE et PIECE VARIEES
ELEKTR. AUSRUSTUNG und SONSTIGE TEILE. EQUIP ELECTRICO Y PIEZAS VARIAS**

Part No. No. de commande Bestell-nr No. de parte	Description	Designation	Benennung	Descripción	Per Set Nombre Anzahl Juego de
2-1462	Lockwasher	Arrêtoir	Sicherung	Freno	
2-2273	Bolt	Boulon	Schraube	Tornillo	
2-2395	Nut	Ecrou	Mutter	Tuerca	
19-14	Headlamp Complete (Wipac)	Phare complète (Wipac)	Schweinwerfer Komp. (Wipac)	Faro completa (Wipac)	
19-76	Stop Lamp Switch	Interrupteur de feu "Stop"	Bremslichtschalter	Interruptor para la luz "Stop"	
19-83	Rear Lamp (Wipac)	Feu rouge arrière (Wipac)	Schlusslampe (Wipac)	Luz roja trasera (Wipac)	
19-324	Horn (Wipac)	Avertisseur (Wipac)	Signalhorn (Wipac)	Bocina (Wipac)	
19-325	Horn and Dipper Switch	Commutateur code avec bouton d'avertisseur.	Abblendschalter Mit Horndruckknopf.	Conmutador de cruce con pulsador de bocina.	
19-545	Headlamp Complete (Lucas)	Phare complète (Lucas)	Schweinwerfer Komp. (Lucas)	Faro completa (Lucas)	
19-721	Dipper Switch (Lucas)	Commutateur de code (Lucas)	Abblendschalter (Lucas)	Conmutador de cruce (Lucas)	1
19-1013	Rear Lamp (Lucas)	Feu rouge arrière (Lucas)	Schlusslampe (Lucas)	Luz roja trasera (Lucas)	
19-2031	Horn (Lucas)	Avertisseur (Lucas)	Signalhorn (Lucas)	Bocina (Lucas)	
19-2032	Horn Push (Lucas)	Bouton d'avertisseur (Lucas)	Hornknopf (Lucas)	Botón de bocina (Lucas)	
27-8560	Washer	Rondelle	Scheibe	Arandela	
29-940	Washer	Rondelle	Scheibe	Arandela	
29-9426	Spring	Ressort	Feder	Resorte	
64-4911	Bracket	Support	Lagerbock	Soporte	
64-7271	Speedo Cable (for 64-9130/1)	Flexible d'entraînement (pour 64-9130/1)	Antriebswelle (Für 64-9130/1)	Arbol de transmisión (para 64-9130/1)	
64-7273	Bracket	Support	Lagerbock	Soporte	
64-9107	Plastic Sleeve (lower)	Manchon plastique (inférieur)	Kunststoffhülse (Unten)	Manguito plastico (inf.)	
64-9108	Plastic Sleeve (upper)	Manchon plastique (supérieur)	Kunststoffhülse (Oben)	Manguito plastico (sup.)	
64-9110	Screw	Vis	Schraube	Tornillo	4
64-9114	Plastic Sleeve	Manchon plastique	Kunststoffhülse	Manguito plastic	
64-9118	Plate	Plaque	Scheibe	Placa	
64-9122	Plastic Sleeve (short)	Manchon plastique (court)	Kunststoffhülse (Kurz)	Manguito plastico (corto)	
64-9125	Speedo Head (for 64-9130)	Compteur de vitesse (pour 64-9130)	Tachometer (Für 64-9130)	Velocimetro (para 64-9130)	
64-9126	Speedo G/Box (for 64-9130/1)	Entraînement ou compteur (pour 64-9130/1)	Tachoatrieb (Für 64-9130/1)	Accionamiento del velocimetro (para 64-9130/1).	
64-9127	Speedo Head (for 64-9131)	Compteur de vitesse (pour 64-9131)	Tachometer (Für 64-9131)	Velocimetro (para 64-9131)	
64-9128	Plastic Sleeve (long)	Manchon plastique (long)	Kunststoffhülse (Lang)	Manguito plastico (largo)	
*64-9130	Speedo Complete (m.p.h.)	Compteur de vitesse complète (m.p.h.)	Tachometer Komp. (m.p.h.)	Velocimetro comp. (m.p.h.)	
*64-9131	Speedo Complete (k.p.h.)	Compteur de vitesse complète (k.p.h.)	Tachometer Komp. (k.p.h.)	Velocimetro comp. (k.p.h.)	
†64-9132	Speedo Complete (m.p.h.)	Compteur de vitesse complète (m.p.h.)	Tachometer Komp. (m.p.h.)	Velocimetro comp. (m.p.h.)	
†64-9133	Speedo Complete (k.p.h.)	Compteur de vitesse complète (k.p.h.)	Tachometer Komp. (k.p.h.)	Velocimetro comp. (k.p.h.)	
64-9134	Speedo Head (for 64-9133)	Compteur de vitesse (pour 64-9133)	Tachometer (Für 64-9133)	Velocimetro (para 64-9133)	
64-9135	Speedo Head (for 64-9132)	Compteur de vitesse (pour 64-9132)	Tachometer (Für 64-9132)	Velocimetro (para 64-9132)	
64-9136	Rubber Moulding (for 64-9132/3)	Profilé caoutchouc (pour 64-9132/3)	Profilgummi (Für 64-9132/3)	Profil de goma (para 64-9132/3)	
64-9137	Speedo G/Box (for 64-9132/3)	Entraînement du compteur (pour 64-9132/3).	Tachoatrieb (Für 64-9132/3)	Accionamiento del velocimetro (para 64-9132/3).	
64-9139	Wire Clip (for 64-9140)	Agrafe	Spannbügel	Estríbo	
64-9140	Plastic Cover	Couverture plastique	Kunststoffdeckel	Tapa plastica	
64-9146	Rubber Moulding (for 64-9140)	Profilé caoutchouc (pour 64-9140)	Profilgummi (Für 64-9140)	Profil de goma (para 64-9140)	
64-9150	Speedo Cable (for 64-9132/3)	Flexible d'entraînement (pour 64-9132/3).	Antriebswelle (Für 64-9132/3)	Arbol de transmisión (para 64-9132/3)	

*For Legshield fitting.
†For Headlamp fitting.

*Pur montage sur protège-jambe.
†Pour montage sur phare.

*Zur Anbringung An Beinschutz.
†Zur Anbringung An den scheinwerfer.

*Para montaje en el guardapiernas.
†Para montaje en el faro.

LIST OF B.S.A. STOCKISTS

Save time and postage by contacting your nearest B.S.A. Stockist for B.S.A. Spare Parts, Spare Part Catalogues, Instruction Books, Transfers, etc. All B.S.A. Dealers carry stocks of B.S.A. Spare Parts but the following appointed Stockists maintain a comprehensive range.

Town.	Name of Stockist.	Address.	Telephone No.	Telegraphic Address.
Aberdeen	J. Dawson	24-26, Thistle Street	25556	
"	George Cheyne (Cycles) Ltd.	147-149, Holburn Street	50341/2	Motobike, Aberdeen.
Aberystwyth	Gwalia Motor Co.	North Parade	525	
Accrington	Bill Snape Ltd.	379, 392 and 396, Blackburn Road	4724	
Aldershot	Phillips Bros. (Aldershot) Ltd.	Birchett Road	1111-2	Phillips, Cycles, Aldershot.
Alloa	J. G. Robertson (Cycles) Ltd.	55-57, High Street	193	
Andover	Corbett & Ellis (Andover) Ltd.	Weyhill Road	2991	
Ashington	Mains of Ashington	Laburnam Terrace	3204	
Aylesbury	Eborn's Garage	44, Walton Street, Aylesbury	3150	Eborn's Aylesbury.
Banbury	Trinder Bros.	2A-4, Broad Street	2546	
Barnsley	T. Garner & Son	Sheffield Road	2866	
Barnstaple	Bob Ray Ltd.	43, High Street	4266	
Bath	R. U. Holoway and Son	32, 33, 34, St. Johns Road	Bathwick 5084	
Bedford	The Imperial Cycle Co.	58, St. Lyses	2374	
Belfast	W. J. Chambers & Co.	106 and 108, Donegall Pass	27253-4	Fastnote, Belfast.
Biggleswade	Bryants	25, 27, 72 and 74, Shortmead Street	3108	
Birkenhead	Bob Simister Ltd.	540-544, New Chester Road, Rock Ferry	Rock Ferry 1452	
Birmingham	County Cycle & Motor Co. Ltd.	265-266, Broad Street	Midland 2671	
"	C. E. Cope & Sons Ltd.	104, Bath Row (Repairs) (closed Saturday 1 p.m.)	Midland 2817	
"	Shovelbottom's Ltd.	481-487, Hagley Road, Edgbaston 17	Bearwood 2246-7	
"	Aston Auto Motors	376, Ladypool Road, Sparkbrook 12	South 2212-3247	
"	S. & G. Motor Cycles (Blackburn) Ltd.	173-177, Aston Road, 6	Aston Cross 3201-2	
Blackburn	J. Hall & Son (Blackpool) Ltd.	15-17, Great Bolton Street	6678	
Blackpool	Badger Garages Ltd.	102-6, Devonshire Road	22130	
Blandford	Charlie Robinson (Motor Cycles) Ltd.	Salisbury Road	615	
Bolton	Craze Bros. Ltd.	119 and 121, Higher Bridge Street	3931	
Boscombe	Sidneys Motor Cycles	473 and 475, Christchurch Road	Boscombe 33231/2	
Bradford	J. K. Hirst Ltd.	107, Manningham Lane	29889	
"	Anderson & Wall Ltd.	41, Wakefield Road	22543	
Bridgwater	Redhill Motors (Brighton) Ltd.	18, St. Mary Street	2416	Anderson & Wall, Bridgwater.
Brighton	S. J. Fair Motors Ltd.	104, North Road	25281	
Bristol	Harold Tozer (Bromsgrove) Ltd.	201-3, Cheltenham Road	4-6238/4-1015	
Bromsgrove	Jayne's Motors	110, Birmingham Road	3228	
Brynmawr	Barclay Motors Ltd.	Cwmbach Garage	Brynmawr 271	
Bury St Edmunds	King & Harper Ltd.	Kings Road Corner	2345/9	
Cambridge	Halletts of Canterbury	Milton Road Corner	3201	Motors, Cambridge.
Canterbury	Car Distributors (Cardiff) Ltd.	St. Dunstan's Street	3046	
Cardiff	Robert Bevan & Son	134-140, City Road	30022	
"	W. T. Tiffen & Son	29-35, Castle Street	27477/8	
Carlisle	Eddie Stephens Motors	Irishgate, Carlisle	25024	Tiffin, Irishgate, Carlisle.
Carmarthen	Barrett's Motors Cycle (Castleford) Ltd.	22/23, Water Street	Carmarthen 6233	
Castleford	Eric W. Bowers	27-35, Aire Street	2983	
Chapel-en-le-Frith	Grays of Chatham Ltd.	Town End	144	
Chatham	Hadlers Garage Ltd.	11-19, High Street	4005	
Chelmsford	Leslie Paynter	New Street	4844-5	Hadler, Chelmsford.
Cheltenham	Davies Bros. (Chester) Ltd.	Bath Street	2887	
Chester	W. Goodridge & Co. Ltd.	34, Bridge Street	25510	
Chichester		East Street	2033	

Town.	Name of Stockist.	Address.	Telephone No.	Telegraphic Address.
Clydebank	John A. Weddell	72/114, Dumbarton Road	Clydebank 1429	
Colchester	G.B.R. Motors Ltd.	1-2, East Hill	6131/2	
Colne	C. H. Schofield (Motors) Ltd.	Market Place	859	
Coventry	Coventry Motor Mart Ltd.	86, London Road	2146-7	Coventry Motor Mart.
Crewe	Cooke's Garages	10-20, Nantwich Road	2011	Cooke's Motors, Crewe.
Croydon	Godfreys Ltd.	228-234, London Road	Croydon 3641-2	Gofrabike, Croydon.
Dagenham	Reginald Smith (Motor Cycles) Ltd.	Imperial House, New Road	Rainham 3284-2786	
Dalton-in-Furness	H. Holme	24-26, Ulverston Road	25	
Darlington	The Duplex Motor and Cycle Co. Ltd.	10-16, Grange Road	Darlington 2071	Duplex, Darlington.
"	White Bros. (Darlington) Ltd.	201/205-9, Northgate	67757	
Dartford	Schwieso Bros. Ltd.	177, Lowfield Street	Dartford 4279	
Derby	Ingles Provincial Garages Ltd.	Walbrook Road	45289	
Doncaster	W. Cusworth (Doncaster) Ltd.	7, Hall Gate	4594	
Douglas (I.O.M.)	Gilbert Harding Ltd.	18, Duke Street and 5, Market Street	Douglas 170	
Dudley	Chas. E. Cope & Sons Ltd.	98 and 193, High Street	Dudley 3464-5-6	
Dundee	George McLean Ltd.	Ward Road	5087	Vehicles, Dundee.
Dunstable	B. G. England (Dunstable) Ltd.	Half Moon Hill, London Road	843-4	
Eastbourne	Jempsons Ltd.	118-120, Seaside	756	Jempsons, Eastbourne.
Edinburgh	J. R. Alexander & Co. Ltd.	10-14, Lothian Road	4455	Motorcycles, Edinburgh.
Elgin	Farquharsons	55-57, High Street	7188	Elgin 7188.
Enfield	D. J. Shepherd & Co. (Enfield) Ltd.	434-6, Hertford Road, Enfield Highway	Howard 1631	
Exeter	P. Pike & Co. Ltd.	Alphington Street	58241	Piko, Exeter.
Frome	J. Difazio Motor Cycles	25, Catherine Street	2913	
Gateshead, 8	O. Carmichael & Son Ltd.	71, 75, 79, 83 and 87, High West Street	71815	
Glasgow, C3	Bell Bros. (H.P.) Ltd.	223, St. Georges Road	Douglas 6414	Douglas 6414, Glasgow.
" C4	J. R. Alexander & Co. Ltd.	240-286, Great Western Road	Douglas 7516	Alex Moto, Glasgow.
Gloucester	Harpers of Gloucester	23a, Worcester Street	23187	Gloucester 23187.
Grimsby	H. J. Gresswell and Son Ltd.	13, 15 and 19, Osborne Street	2202	
Guernsey	Millard & Co. Ltd.	Victoria Road	777	Millard Motors, Guernsey.
Guildford	E. Pascall (Guildford) Ltd.	11-12, Woodbridge Road	Guildford 2274-5-6	
Harrogate	H. Aclam (Prop. H. Baynes)	11, Bower Road	5125	
Harrow	Pinks of Harrow	Station Road	0044-5, Spares 3328	Pink, Harrow.
Hatfield	W. Waters & Sons Ltd.	32, Great North Road	3255	
Hereford	A. Kear & Co.	52, Commercial Street	2239	Kear, Hereford.
Holbeach	Gordan Woodman Ltd.	34, Fleet Street	3221	
Hornchurch	T. W. Kirby Ltd.	10, Roneo Corner	8785	
Hounslow	Stanley's Motors	46-8, Lampton Road	Hounslow 1949	Stanley's, Hounslow.
Huddersfield	Earnshaw	Manchester Road	1232	
Hull	Browns (Witham) Ltd.	47-49, Witham	29802	
"	Jordans of Hull	Storey Street	16131	Gumpton, Hull.
Ilford	J. J. Double (Motor Cycles) Ltd.	1, 2, 3 and 4 Mildmay Parade, Cranbrook Road	Valentine 0191, 0192, 7723	
Ilkeston	Ray Gamble	Pelham Street (off Bath Street)	3301	
Ipswich	Revetts Ltd.	Clarkson Street	3726/7	
Jersey	Colebrooks (J. D. Poingdestre)	22½ New St. Johns Road, St. Helier	Central 642	Colebrooks, Jersey.
Keighley	Dick Ratcliffe	Coldshaw Garage, Haworth	Haworth 3133	
Kendal	Tom O'Loughlin Ltd.	66, Stricklandgate	315	
Kirkcaldy	County Motors (Kirkcaldy) Ltd.	Junction Road	Dysart 5631	
Lancaster	Pye Motors Ltd.	Parliament Street	3553	
Launceston	J. Wooldridge & Son	Western Road	21	Wooldridge, Launceston.
Leeds, 1	Watson-Cairns & Co. Ltd.	157-8, Lower Briggate	33024/5	Watson-Cairns, Briggate, Leeds.
Leicester	E. W. Campion & Son Ltd.	Welford Place	58054	
Lincoln	West's (Lincoln) Ltd.	116, High Street	21262	
Liverpool, 7	Bee Cycle & Motor Co. Ltd.	17-19, Renshaw Street	Royal 6375-6	Bee Cycles, Liverpool.

Town.	Name of Stockist.	Address.	Telephone No.	Telegraphic Address.
Liverpool, 3 ..	Cundles (Liverpool) Ltd.	41, Byrom Street	Central 4148	Cundles, Central 4148.
Llawhaden ..	James Bowen & Sons (Llawhaden) Ltd.	Llawhaden, near Narberth, Pem.	Llawhaden 6	
London, N.W.1 ..	J. Grose Ltd.	379-381, Euston Road	Euston 5231	
" W.1 ..	Godfreys Ltd.	208-210, Great Portland Street	Euston 4632-4	Gofrabike, London.
" S.E.18 ..	Cleare & Co. Ltd.	1, Woolwich High Street	Woolwich 0174	
" W.5 ..	Kays of Ealing Ltd.	8-10, Bond Street	Ealing 2387	Sparesokay, Ealux, London.
" S.E.13 ..	F. Parks & Son Ltd.	404, High Street, Lewisham	Lee Green 0535	
" E.8 ..	Eleanor Motors	265-7-9, Mare Street, Hackney	Amherst 5134-3923	
" E.7 ..	Godfreys Ltd.	418, Romford Road, Forest Gate	Grangewood 1234-5	Gofrabike, Forgate.
" E.6 ..	Godfreys Ltd.	220, Barking Road, East Ham	Grangewood 8088	Gofrabike, Forgate.
" ..	Glanfield Lawrence (Highbury) Ltd.	28-32, Highbury Corner	North 2791	
" N.12 ..	George Grose Ltd.	834, High Road, Finchley	Hillside 2149	
" N.12 ..	Glanfield Lawrence Ltd.	407, High Road, Finchley	Finchley 0091	Glanfin, Norphone, London.
" N.15 ..	Godfreys Ltd.	94, 96 and 104, High Road, Tottenham	STA 9960	Gofrabike, London.
" S.E.11 ..	Writers Ltd.	161-5, Kennington Lane	Reliance 1362	
" S.W.11 ..	Owen Bros.	19, Battersea Rise, Clapham Junction	Battersea 7816	
" S.W.6 ..	Claude Rye Ltd.	897-921, Fulham Road, Fulham	Renown 6174	Ryebikes, Walgreen, London.
" S.W.9 ..	Pride & Clarke Ltd.	158, Stockwell Road	Brixton 6251	Priclarke, London.
" W.12 ..	Turners Stores	81-83, Goldhawk Road, Shepherd's Bush	Shepherd's Bush 2436	
" W.3 ..	Whitbys of Acton Ltd.	273, The Vale, Acton	Shepherd's Bush 5355-6	
" S.E.15 ..	West End Motors Ltd.	171, High Street, Peckham	Newcross 2589	
" N.W.10 ..	Slocombs Ltd.	251-253, 269 and 271, Neasden Lane Neasden	Gladstone 3355	
" S.W.17 ..	Elite Motors (Tooting Ltd.)	951-961, Garrat Lane, Tooting Broadway	Balham 1200	Elitemota, Toot, London.
Lowestoft ..	R. Wright	67-69, London Road South	645	
Macclesfield ..	A. Watling	49, Buxton Road	3592	
Maidstone ..	Redhill Motors (Maidstone) Ltd.	The Broadway, Maidstone	3096	
Manchester, 3 ..	Tcm Davies (Motors) Ltd.	233, Deansgate	Blackfriars 0681	
" 22 ..	Alex Parker	31/33, Palatine Road, Northenden	Wythenshaw 2062	
" ..	Fred Fearley Ltd.	692-4, Ashton Old Road	East 1445-6	Fernbike, Manchester.
Mansfield ..	Henstocks	128, Chesterfield Road	329	Henstock 329, Mansfield
Middlesbrough ..	J. T. Dickinson (Middlesbrough) Ltd.	160-162, Lindthorpe Road	3861	Payacob, Middlesbrough.
Neath ..	Fred Rist	16 and 17, Windsor Road	Neath 780	
Newcastle-on-Tyne ..	Dene (Newcastle) Motor Co. Ltd.	Haymarket	2-9165/6	Ened, Newcastle-on-Tyne.
Newton Abbot ..	J. E. Green & Co.	87, Queen Street	653	
Newport, (Mon.) ..	R. J. Ware & Sons	69, Commercial Street	66206	
Norwich ..	Chapmans (Norwich) Ltd.	38-42, Duke Street	24727	
Nottingham ..	E. W. Campion & Son Ltd.	Arkwright Street and Queens Road	83444	
Oswestry ..	Roy Evans (Motor Cycles)	Willow Street	1144-7	
Oxford ..	Temples	69, St. Thomas Street	2485	
" ..	Faulkner & Son	12, Cardigan Street	57279	
" ..	John Avery	228/230 and 240, Banbury Road	57362/3	
Parkstone ..	Bob Foster	472-6, Ashley Road	3500	
Perth ..	M. Shaw & Sons	143, High Street	483	
Peterborough ..	Burrows Bros.	55-57, Westgate	2154	
Plymouth ..	P. Pike & Co. Ltd.	Millbay Road	Plymouth 63018	Piko, Plymouth.
Pontardulais ..	T. Griffiths	Forest Garage	Pontardulais 323	
Portsmouth ..	Jenkins & Purser Ltd.	277-281, Copnor Road	2339	
" ..	Glanfield Lawrence	147-157, Fratton Road	74331	
" ..	Percy Kiln Ltd.	65-67, Elm Grove	4793	
Preston ..	Loxhams Garages Ltd.	Central Garage, Charnley St.,	Sales Dept. 4242, Service Dept. 4243	Loxhams, Preston.
Pulborough ..	Gray & Rowsell (Bury Ltd.)	Bury Gate, Pulborough	Bury 4	
Radcliffe ..	Will Lord (Motor Cycles) Ltd.	115, Blackburn Street	2002	
Reading ..	Phillips & Bloomfield Motors Ltd.	10-24, South Street	2635	

Town.	Name of Stockist.	Address.	Telephone No.	Telegraphic Address.
Reading	Stocker & Shepherd Ltd.	129/133, Oxford Road	2212-3983	
Redhill	The Redhill Motor and Cycle Works Ltd.	50-54, Brighton Road	327	
Rotherham	Ernest Cross	55-59, Drummond Street	Rotherham 3987	
Salisbury	Pankhurst (Weymouth) Ltd.	78-79, Exeter Street	Salisbury 5222-3	
Scarborough	E. Andrew of Scarborough Ltd.	149, Victoria Road	Scarborough 1857	
Sevenoaks	Angus Motor Cycles	Station Parade	3338	
Sheffield, 1	Walter Wragg Ltd.	Stanley Works, Wellington Street	26098	26098 Sheffield.
Shrewsbury	J. R. Meredith	Coleham Head	6529	
Sittingbourne	Scoones Garage	9, West Street	66	Scoones, Sittingbourne.
Slough	Sid Moram	Wexham Corner, High Street	Slough 23767	
Southampton	Alec Bennett Ltd.	152, Portswood Road	54081-2-3	
Southport	H. F. Brockbank	62, King Street	5054	
St. Helens	Geoff. Duke Ltd.	Greenfield Road, Garage	3918	
St. Ives	Hallens (Hunts.) Ltd.	8/10, The Broadway	St. Ives 3071	Hallens, St. Ives.
Stockport	Theobald & Coppack	6, Chestergate	2843	Theobald Coppack, Stockport
Stoke-on-Trent	J. & N. Bassett	Howards Place, Shelton	2890	
Stourbridge	Pearsons Cycle Depot	31, Market Street	5677	
Sunderland	Dunns Garage (Sunderland) Ltd.	Wheatsheaf Corner, North Bridge Street	57666/7	
Swansea	Glanfield Lawrence (Swansea) Ltd.	Rutland Street	50311	
Swindon	Easters of Swindon	73-75, Cricklade Road	4196	
Taunton	W. P. Edwards (Motors) Ltd.	Station Road	2943	Edwards, Motors Cycle, Taunton.
Thames Ditton	Comerfords Ltd.	Portsmouth Road, Thames Ditton	Emberbrook 5531	
Torquay	P. H. Sharam Ltd.	244-6, Union Street	4184 and 7255	
Troon	Cooper Bros.	117-129, Templehill	925	
Truro	W. H. Collins & Son	Kenwyn Mews	Truro 2168	
Tunbridge Wells	G. E. Tunbridge	21, London Road	416	Motors, Tunbridge Wells.
Twickenham	Blays of Twickenham Ltd.	192-9, Heath Road	Popesgrove 2103 & 1435	
Uxbridge	Miles Motors	60, High Street	Uxbridge 6000	
Wakefield	Parkinsons (Wakefield) Ltd.	38-52, Ings Road	2087	
Walsall	The Motor Cycle Mart (Walsall) Ltd.	12, Ablewell Street	3363	
Warrington	Jack Frodsham Ltd.	37a, Winnick Street	34713	
Watford	Lloyd Cooper & Co. Ltd.	61, Queen's Road	2125	Lloyd Cooper, Watford.
Westcliff-on-Sea	J. Costin & Sons	233-241, London Road	Southend 42215	
Weston-super-Mare	Wyverns of Weston Ltd.	3, Locking Road	524	Wyverns, Weston-super-Mare
Weybridge	W. L. Lewis & Sons	51, Church Street	2210	
Weymouth	Tilleys (Dorset) Ltd.	9, Frederick Place, St. Thomas Street	72	
Whitehaven	Mark Taylor	21, King's Street	252	
Wolverhampton	C. E. Cope & Sons Ltd.	169, Stafford Street	24605-6	
Worcester	W. J. Bladder & Son	52, Sidbury	2438	Bladder, Sidbury, Worcester.
Worksop	Ezra Sugden Ltd.	109, Gateford Road	3053	
Worthing	Gray & Rowsell (Worthing) Ltd.	56, Broadwater Street West	1224	
Yeovil	The Yeovil Motor Mart	Hendford	267	Motor Mart, Yeovil.
York	C. S. Russell (York) Ltd.	Lawrence Street	23793	Russell, Lawrence St., York.

B.S.A. OVERSEAS DISTRIBUTORS

ADEN	Arabian Trading Co., Maalla Garage, Aden.
AFGHANISTAN	Levetus Ltd., 194, Bishopsgate, London, E.C.2.
ALASKA	Hap Alzina, 3074, Broadway, Oakland 11, California, U.S.A.
ALGERIA	Movea, 79, Ave. de la Grande Armee, Paris XVI, France, operating through: Societe Algerienne de Distribution d' Equipements Britanniques, 1, rue d' Assus Alger, Algiers.
ARGENTINA	Ditlevsen & Cia Ltda., Av. Ingeniero Huergo 1335, Buenos Aires.
AUSTRALIA.	
South Australia	J. N. Taylor & Co., 121/5, Grenfell St., Adelaide
Victoria	Finlay Bros. (Pty) Ltd., 316/20, Elizabeth St., Melbourne C.1.
West Australia	Mortlock Bros., 914, Hay Street, Perth.
N.S.W. and Queensland	Bennett & Wood Ltd., Cor. Bathurst and Pitt Sts., Sydney and 128, Wickham St., Valley, Brisbane.
Tasmania	Sim King (Pty) Ltd. (Box A. 240G G.P.O.), 63, Brisbane Street, Launceston.
AUSTRIA	Maximilian Koeniger Strubenring 20, Vienna I.
AZORES	Hayes & Travell Ltd., P.O. Box 56, Ponta Delgada, St. Michael's.
BAHAMAS	Nassau Bicycle Co., P.O. Box 191, Nassau.
BAHREIN	United Commercial Agencies, P.O. Box 166, Bahrain Islands, Persian Gulf.
BELGIAN CONGO.	
Albertville	La Sima S.C.R.L., P.O. Box 671, Elizabethville.
Bukavu	Touriel Motors, P.O. Box 796, Bukavu.
Coquilhatville	Ets. Fr. Mechant et Fils, P.O. Box 786, Leopoldville.
Elizabethville	La Sima, Boite Postale 671, Elizabethville.
Leopoldville	Ets. Fr. Mechant et Fils, P.O. Box 786, Leopoldville.
Usumbura	Capelluto Touriel & Co., P.O. Box 501, Usumbura, Ruanda Urundi.
Stanleyville	Nassers Trading Co. Ltd., P.O. Box 71.
BELGIUM	Ets. Moorkens S.A., 571, Grande Chaussée, Berchem, Antwerp.
BERMUDA	Holmes, Williams & Purvey Ltd., P.O. Box 444, Pembroke.
BOLIVIA	Balfour Williamson Merchant Shippers Limited, 7, Gracechurch St., London, E.C.3, operating through: Gibbs Williamson (Bolivia) Ltda., Casilla 957, La Paz.
BORNEO.	
Br. N. Borneo	Harrisons & Crosfield (Borneo) Ltd., Import Dept., Jesselton.
Sarawak	The Borneo Co. Ltd. (P.O. Box 141), Thomson Road, Kuching.
BOUGAINVILLE	Bennett & Wood Ltd., Corner Pitt & Bathurst Streets, Sydney, N.S.W., Australia.
BRAZIL	Mesbla S.A., Rua de Passeio 48/54, Rio de Janeiro.
and branches at	Sao Paulo (Est. de Sao Paulo)—Rua 24 de Maio, 141.
BRAZIL	Porto Alegre (R.G. do Sul)—Rua Voluntarios de Patria 524.
	Belo Horizonte (Minas Gerais)—Rua Curitiba, 444-464.
	Recife (Pernambuco)—Rua da Palma 251.
	Pelotas (R.G. do Sul)—Praca Cel. P. Osorio, 152-154.
	Niteroi (Est. do Rio)—Rua Visconde Rio Branco 521-523.
	Marilia (Sao Paulo)—Rua 9 de Julho 1001.
	Victoria (Espirato Santo)—Av. Victoria 719-727.
	Salvador (Bahia)—Av. Frederico Pontes, 102-104.
BRITISH E. AFRICA.	
Kenya	Uganda Co. (Africa) Ltd., P.O. Box 1, Kampala, Uganda.
Tanganyika	International Motor Mart Ltd., P.O. Box 409, Dar-es-Salaam.
Uganda	The Uganda Co. (Africa) Ltd., P.O. Box 1, Kampala.
Zanzibar	Musa Jusabani, P.O. Box 366, Zanzibar.
BRITISH GUIANA	Bookers Stores Ltd., 49/53, Water St., Georgetown.
BRITISH HONDURAS	Santiago Castillo, Box 69, Belize.
BRITISH SOMALILAND	Arabian Trading Co., Berbera.
BRITISH W. AFRICA.	
Gambia	Cie. F.A.O., Bathurst.
Ghana	Cie. F.A.O., P.O. Box 70, Accra.
Nigeria	Cie. F.A.O., P.O. Box 160, Lagos.
Sierra Leone	Cie. F.A.O., Freetown.
	<i>(and other branches throughout territory)</i>
BRITISH W. INDIES.	
Antigua, Leeward Is.	Stephen R. Mendes Ltd., Colonial House, 18 Thames St., St. John's.
Barbados	Redman & Taylors Garage Ltd., P.O. Box 269, Church Street, Bridgetown.
Dominica, Leeward Is.	A. C. Shillingford & Co., P.O. Box 123, The Garage, Roseau.
Grenada, Windward Is.	Glean's Garage, St. Patricks.
Jamaica	B.S.A. Agency Ltd., 9, King Street, Kingston.
St. Kitts, Leeward Is.	J. W. Thurston & Co. Ltd., Fort St., Basseterre.
St. Lucia, Windward Is.	Peter & Co., Castries.
Montserrat, Leeward Is.	M. S. Osborne, Trescellian House.
Nevis, Leeward Is.	J. W. Thurston & Co. Ltd., Fort St., Basseterre, St. Kitts.
St. Vincent, Windward Is.	Corea & Co. Ltd., Kingston, St. Vincent.
Trinidad	Sports & Games Ltd. (P.O. Box 271), 28, Henry Street, Port of Spain.
BURMA	Levetus Limited, 194, Bishopsgate London, E.C.2, operating through: Fairweather Richards & Co. Ltd., 67/69, Lewis St., Rangoon.
CANADA.	
British Columbia & Alberta	Fred Deeley Ltd., 606, E. Broadway Ave., Vancouver.
Newfoundland	Edwin Murray Ltd., 256, Water St., St. John's.
Nova Scotia	Mr. L. C. Comeau, Comeauville, Nova Scotia.

CANADA.	
Ontario	Brown's Sports & Cycle Co. Ltd., 517, Yonge St., Toronto.
Quebec	Arlington Cycle & Sports Ltd., 1194, University St., Montreal.
Saskatchewan & Manitoba	Nicholson Bros., 245, Second Ave. North, Saskatoon.
CANARY ISLANDS	J. Gonzalez Suarez (Apartado, No. 9), Puerto de la Luz, Las Palmas.
CEYLON	Cargills (Ceylon) Ltd., Fort, Colombo, P.O. Box 23.
CHILE	Balfour Williamson Merchant Shippers Limited, 7, Gracechurch St., London, E.C.3, operating through: Williamson Balfour & Co. S.A., Santiago.
COOK ISLANDS	United Island Traders Ltd. (W. H. Watson), Raratonga.
COLOMBIA	Balfour Williamson Merchant Shippers Limited, 7, Gracechurch St., London E.C.3, operating through: Tracey & Co. S.A., Apartado 1196, Bogota.
COSTA RICA	Tiberio Paganella, Ciclo Sport La Casa del Ciclista, Apartado 2321, San Jose.
CUBA	Distribudora de Motocicletas Britanicas, S.A Padre Varela, Havana, Cuba, P.O. Box 962.
CYPRUS	St. G. Collocassides Ltd., 1-3, Heraclius Ave., Box 91, Nicosia, Cyprus.
CYRENAICA	Metcalfe Eng. Co. Ltd., P.O. Box 216, Benghazi.
DENMARK	B.S.A. Motors & Cycles (H. V. Hansen), G1, Kongevej 127-131, Copenhagen, V.
DOMINICAN REPUBLIC ...	General Sales Co., Apartado 746, Ciudad Trujillo, R.D.
DUTCH GUIANA	The New Motor Supply & Importing Co. (P.O. Box 422), Watermolen St., Paramaribo.
ECUADOR	Balfour Williamson Merchant Shippers Limited, 7, Gracechurch St., London E.C.3, operating through: Sociedad Anonima Comercial, Anglo-Ecuatoriana, Apartado 410, Guayaquil.
EGYPT	T. W. M. Forsyth, 7, Sharia Maspero, Cairo.
ERITREA	Arabian Trading Co. Ltd., Viale Blattenchieta Lorenzo Tazaz, 29-33, Asmara.
ETHIOPIA	Arabian Trading Co. (P.O. Box 23), 155, Cunningham Street, Addis Ababa.
FALKLAND ISLANDS ...	The Falkland Island Co. Ltd., Port Stanley. McAtasney & Sedgwick, Falkland Store, Stanley.
FAROE ISLANDS	Charles Smith, Trondargota 35, Tnorshann, Faroe Islands.
FIJI	Morris Hedstrom Ltd., Suva.
FINLAND	S. & N. Osakeyhito, N. Esplanade 19, Elsinfors.
FRANCE	Movea S.A., 79, Ave. de la Grande Armée, Paris XVIIe.
FR. ANTILLES Guadeloupe ...	Maison F. D'Alexis 44, Rue Frebault, Pointe-à-Pitre.
FRENCH EQ. AFRICA ...	The United Africa Co., Unilever House, Blackfriars, E.C.4.
FRENCH INDIA	Levetus Ltd., 194, Bishopsgate, London E.C.2.
FRENCH SOMALILAND ...	Arabian Trading Co., Djibouti.

FRENCH W. AFRICA.

Dahomey	Cie. F.A.O., Service Autos, Cotonou.
French Cameroons	Cie. F.A.O., Duala.
Ivory Coast	Cie. F.A.O., Abidjan.
Mauritania	The United Africa Co., Unilever House, Blackfriars, E.C. 4., operating through: Compagnie Du Niger Français, Boite Postale No. 230, Saint-Louis, Senegal.
French Guinea	Cie. du Niger Français, Conakry.
French Sudan	Cie. du Niger Français, Bamako.
Senegal	Nouvelle Societé Commerciale Africaine, 31, Boulevard Pinet-Laprade, Dakar.
GERMANY (West)	Messrs. Alan W. A. Bruce, P.O. Box 123, Cologne, 17.
GIBRALTAR	English Garage Ltd., Queensway, Gibraltar.
GILBERT & ELLICE ISLANDS	Morris Hedstrom Ltd., Apia, Samoa.
GREECE	D. F. Papoutsas, 56, Chalcocondillis St., Athens.
GUADELOUPE	Maison F. D'Alexis, 44, Rue Frebault, Pointe-a-Pitre.
GUATEMALA	H. J. Nicol & Co. S.C., 8A Avenida Sur No. 109, Guatemala City.
HADRAMUT	Arabian Trading Co., Esplanade, Aden.
HAITI	Yves Bajeux, Grande Rue 185, (P.O. Box 856), Port-au-Prince.
HAWAII ISLANDS	Schubert's Cyclery Stores (P.O. Box 3443), Cor. Archer and South King Sts., Honolulu, Hawaii.
HONDURAS	M. Liebers, Apartado 51, Tegucigalpa, D.C.
HONG KONG	Levetus Limited, 194, Bishopsgate, London, E.C.2, operating, through: British Bicycle Co. 16, Hennessy Road.
ICELAND	Falkinn Ltd., P.O. Box 997, Rejkjavik.
INDIA	Levetus Limited, 194, Bishopsgate, London, E.C.2, and branches in Delhi, Bombay and Calcutta, operating through:
Bombay	Noble Cycle & Motor Co., 225, Hornby Rd., Fort, Bombay.
Calcutta	Bentinck Cycle Co., 1/2, Chowringhee Rd., Calcutta.
Jullundur	Janki Dass & Sons, Main Street, Jullundur.
Madras	Union Co. (Motors) Ltd., Mount Rd., Madras.
Jaipur	Tandon Bros., 16, Daryaganj, Delhi 7.
New Delhi	Peary Lal & Sons Ltd., Queen's Way, New Delhi.
Delhi	Peary Lal & Sons (E. Punjab) Ltd., Peary Lal Bldg., Kashmere Gate, Delhi 6.
Allahabad	Colonelganj Cycle & Motor Agency, 12 P.D. Tandon Rd., Allahabad.
Kanpur	Calcutta Motor & Cycle Co., 26/51, Birhani Rd., Kanpur.
Cuttack	Pearl Cycle Stores, Naya Serak, Cuttack.
Lucknow	Motor Cycle House, 11, Station Rd., Lucknow.
Dehra Dun	Nawal Kishore and Son, 9, Esplanade Road, Delhi, 6.
Nagpur	Bombay Cycle Stores Co. Ltd., Mahal, Nagpur City.
Ranchi	Kedia Cycle Stores, Main Rd., Ranchi.
Jamnagar	Imperial Trading Co., Ranjit Rd., Jamnagar.
Meerut	Mittal Bros., Bombay Bazaar, Meerut.
Hyderabad	Sohrab Bros., Troop Bazaar, Hyderabad—D.N.

INDONESIA	P. T. Platon Ltd., Postrommel Dak 766, Djakarta-Kota.	NORWAY	Erling Sande, Grubbegaten 2/4, Oslo.
IRAQ	Mr. J. A. Noury, 2/111, Rashid Street, Baghdad, Iraq.	NYASALAND	Mandala Motors, P.O. Box 47, Mandala, Blantyre.
IRISH REPUBLIC	Huet Bros. Ltd., 7 & 8, Bachelor's Walk, Dublin, C.9.	OKINAWA	Balcom Trading Co. Inc., Fukoku Building No. 1, 2-Chome Uchisaiwai-Cho, Chiyoda-Ku, Tokyo.
ISRAEL	S. Gousman & Son Ltd., 16, Hakishon St., Tel-Aviv.	PAKISTAN	Levetus Ltd., 194, Bishopsgate, London E.C.2, and their branches at Karachi and Dacca, operating through:
ITALIAN SOMILAND	Arabian Trading Co., Esplanade, Aden.	(WEST)	Shahnawaz Ltd. (P.O. Box 655), Victoria Rd., Karachi.
ITALY (North)	Ve Ba & C. Maestri Campionesi Milano, I.	(EAST)	Crescent Cycle & Motor Co., 161, Nawabpur Rd., Dacca.
JAPAN	Balcom Trading Co. Inc., Fukoku Building No. 1, 2-Chome Uchisaiwai-Cho, Chiyoda-Ku, Tokyo.	PANAMA	Panamusica S.A., P.O. Box 3227, Panama.
KOREA	Balcom Trading Co. Inc., Fukoku Building No. 1, 2-Chome Uchisaiwai-Cho, Chiyoda-Ku, Tokyo.	PAPUA	Bennett & Wood Ltd., Corner Pitt and Bathurst Streets, Sydney, N.S.W., Australia.
KUWAIT	Abdul Rahman Albisher & Zaid Alkazemi, Kuwait, Persian Gulf.	PARAGUAY	J. & F. Perez, 14 de Mayo Pte Franco, Asuncion
LEBANON	Associated Commercial Enterprise, P.O. Box 3270, Air Moureisseh, Beirut.	PERSIA	H. Mohammed Travakolipoor, Ave. Boozarjomehri, Tehran.
LIECHENSTEIN	Fibag, Postfach Zurich 39, Zurich, Switzerland.	PERU	Balfour Williamson Merchant Shippers Limited, 7, Gracechurch St., London, E.C.3, operating through:
LIBERIA	Cie. F.A.O., Monravia.	PHILLIPPINES	Milne & Co. S.A., Apartado 684, Lima.
LIBYA	F.lli Pagani Soc. Coll, 33 Giaddat Omar Muktar.	PORTUGAL ... (NORTH)	Campos Rueda & Sons, 421/7, Juan Luna, Manila.
Tripolitania	Metcalfe Eng. Co. Ltd., P.O. Box 216, Benghazi.	(SOUTH)	Silva Neto & Ca. Lda., Anadia.
Cyrenaica	Famo S.A., 571, Grande Chaussée, Berchem, Antwerp, Belgium.	PORTUGUESE EAST AFRICA	Stand Vidal, Rua Josquim Bonifacio, No. 130, Lisbon, Portugal.
LUXEMBOURG	Movea, S.A., 79 Ave. de la Grande Armée, Paris XVIe, France.	F. L. Simoes & Co., P.O. Box 13, Beira.	A. A. Azevedo, P.O. Box 482, Lourenco Marques.
MADAGASCAR	A. Gomez Loja, P.O. Box 52, Funchal.	Gordhandas Valabdas & Filhos, P.O. Box 45, Mozambique.	Auto Sobressalentes Ltd., P.O. 206, Quelimane.
MADERIA	Cycle & Carriage Co. (1926) Ltd., (P.O. Box 142), Orchard Road, Singapore.	PORTUGUESE WEST AFRICA	Casa Americana Ltda, Caixa Postal 1208, Luanda.
MALAYA	G. Anastasi, 27 and 35 opp. St. John's Church, Valletta.	PORTUGUESE GUINEA ...	Nunes & Irmao, C.P. 83, Bissau.
MALTA	Lising & Co., 32, Royal St., Port Louis.	PORTUGUESE INDIA ...	M.S.B. Caculo, Nova Goa.
MAURITIUS	Watson Phillips & Cia. Succs. S.A., Apartado Postal No. 67, Mexico 6 D.F.	PUERTO RICO	M. Castro Fernandez & Co. Ltd., (P.O. Box 1579), San Juan 7, Puerto Rico.
MEXICO	Alejandro Dominguez Font Calle 60, Num. 536, Merida, Yucatan.	QATAR	Kasem and Abdulla Sons of Darwish Fakhroo, Qatar, Persian Gulf.
NETHERLANDS	Hart Nibbrig & Greeve N.V., Parkstraat 91A, The Hague.	REUNION ISLES	Movea S.A., 79, Avenue de la Grande-Armee, Paris XVIe, France.
NETHERLANDS ANTILLES (D.W.I.)	Caribbean Sales (P.O. Box 43,) Noordstraat No. 543, Oranjestad, Aruba.	RHODESIA (NORTHERN) ...	Messrs. Miltons Motor Cycles Ltd., P.O. Box 315, Ndula.
NEW BRITAIN	Caribbean Sales, Joh. van Walbeek, Plein N.4.A	Pals Motors, P.O. Box 51, Lusaka, Northern Rhodesia.	The British Cycle & Sports Co., P.O. Box 274, Livingstone.
NEW CALEDONIA	Bennett & Wood Pty. Ltd., Corner Pitt and Bathurst Streets, Sydney, N.S.W. Australia.	RHODESIA (SOUTHERN) ...	Van Rooyen Motor Cycle Works Ltd., 124, Gray St., Bulawayo, Southern Rhodesia.
NEW GUINEA	Agence Automobile, Boite Postale 176, Nouméa Nouvelle Calédonia.	Alick Stuart Ltd., P.O. Box 306, Bulawayo, Southern Rhodesia.	Ray's Engineering Co., 5th Street, P.O. Box 91, Gwelo.
NEW HEBRIDES	Bennett & Wood Ltd., Corner Pitt and Bathurst Streets, Sydney, N.S.W., Australia.	Gammon Bros., P.O. Box 151, Umtali.	Johnstons Motor Cycle Supplies (Pvt) Ltd. 28, Pioneer St., Salisbury.
NEW IRELAND	Bennett & Wood Ltd., Corner Pitt and Bathurst Streets, Sydney, N.S.W., Australia.		
NEW ZEALAND	Skeates & White Ltd., 48, Fort St., Auckland, C1.		
NICARAGUA	J. A. Estrada & Cia. Ltda. (Apartado No. 11), Avenida Roosevelt, Managua.		
NORTHERN MOROCCO ...	Abraham S. Levy, (P.O. Box 132,) Casa Riera 26/28, Tangier.		

SALVADOR	La Agencia Nacional Ltda., Avenida Independencia, San Salvador.
SAMOA	Morris Hedstrom Ltd., Apia.
SARAWAK	Borneo Co. Ltd., Sackville House, Fenchurch Street, London, E.C.3.
SAUDI ARABIA	Ebrahim Abdullah Juffali & Bros., P.O. Box 297, Jeddah.
SEYCHELLES	Chenard & Co., P.O. Box 5, Mahe.
SOLOMON ISLANDS	Bennett & Wood Ltd., Corner Pitt and Bathurst Streets, Sydney, N.S.W., Australia.
SOUTHERN MOROCCO	Africa and Eastern (Near East) Ltd., P.O. Box 519, Casablanca.
SOUTH W. AFRICA	Terry's Motors, P.O. Box 784, Windhoek.
SPAIN	Commercial Yacobi, Piamonte 16, Madrid.
SPANISH GUINEA	J. Gonzalez Suarez (Apartado No. 9), Puerto de la Luz, Las Palmas, Canary Islands.
SUDAN	Geo. Djerejian & Sons, P.O. Box 269, Khartoum.
SWEDEN	A-B. E. Fleron, Malmo.
SWITZERLAND	Fibag, Postfach Zurich 39, Zurich, Van Leisen S.A., 34, Rue de la Synagogue, Geneva.
SYRIA	M. Chafik el Khiami & Co., Rue el Nasr 169, Damascus, Syria.
TAHITI	H. Jean Hamon, Papeete.
TANGIER	Marrache & Levy, (P.O. Box 132), Casa Riera 26/28, Tangier.
THIALAND	Triangle Co. Ltd., (P.O. Box 70), Asdang Rd., Bangkok.
TONGA	E. H. Jones, P.O. Box 34, Nukualofa, Tonga Islands.
TRIPOLITANIA	F.lli Pagani Soc. Coll., 113, Sciara Mizran, Tripoli, Libya.
TUNISIA	Etabs. Jean Borg, 35, Rue de Marseille, Tunis.
TURKEY	Turkish Automobile Trade Co., Beyoglu Istiklal Caddesi 239 (P.O. Box 32), Beyoglu, Istanbul.

UNION OF SOUTH AFRICA.

Cape Province	Robb Motors Ltd., 102, Strand St., Cape Town P.O. Box 1100. Barnes Garage Ltd., P.O. Box 438, East London. The Union Cycle Works, P.O. Box 442, Kimberley. Sahds, P.O. Box 149, Queenstown. Haigh Motors (Pty) Ltd., P.O. Box 1160, Port Elizabeth.
Natal	W. Killerby (Natal) (Pty) Ltd., 281 Umbilo Road, Durban, Natal. Jowett Bros., P.O. Box 201, Pietermaritzburg.
Orange Free State	E. Hoehne & Co., P.O. Box 619, Bloemfontein.
Transvaal	Fisher & Simmons Ltd., 12, Albert Street, Johannesburg. Shimwell Bros., (Pty) Ltd., P.O. Box 2035, Johannesburg, also at P.O. Box 95, Pretoria.

UNITED STATES OF AMERICA.

East Coast	B.S.A. Incorporated, 639, Passaic Ave., Nutley 10, New Jersey.
West Coast	Hap Alzina, 3074, Broadway Oakland 11, California.
URUGUAY	Linn & Cia. S.A., Casilla Correo 1027, Montevideo.
VENEZUELA	Agencias B.S.A. de Venezuela C.A. 'Groupe Oriel' Calle el Progreso, Urb, Les Acacias, Caracas. "Casa del Motociclista," (Rafael E. Montero), Calle 89-E No. 3-A-52, Maracaibo, (Zulia and Falcon).
YEMEN	Arabian Trading Co., Esplanade, Aden.

**PISTONS
PISTONS
KOLBEN
EMBOLOS**

PISTON COMPLETE PISTON COMPLETE KOLBEN VOLLST EMBOLO COMP			PISTON RING SEGMENT VERDICHUNGSRING SEGMENTO		
Standard	+ .015"	+ .030"	Standard	+ .015"	+ .030"
Standard			Standard		
Standard	+ .384 mm.	+ .769 mm.	Standard	+ 384 mm.	+ .769 mm.
Standard			Standard		
64-40	64-43	64-45	64-50 (2)	64-51 (2)	64-52 (2)

**CARBURETTER SETTINGS
REGLAGE DU CARBURATEUR
EINSTELLUNG DES VERGASERS
AJUSTE REL CARBURADOR**

B.S.A. Part No. No. de pièce B.S.A. B.S.A. Bestell-Nr No. de pieza B.S.A.	Markers Part No. No. du fabricant Nr-Hersteller No.-fabricante	Choke Size Admission d'air Luft Einlass Entrada de aire	Main Jet Gicleur principal Hauptdüse Gicleur principal	Throttle Slide Boisceau des gaz Drossel Schieber Corredizo de aceleración	Needle Position Pos. aiguille Nadelein-Stellung Pos. aguja	Needle Jet Gicleur à aiguille Nadeldüse Gicleur de aguja
19-2337	365/1	$\frac{1}{2}$ " (12.7 mm.)	35 c.c.	3	3	.0745" (1.91 mm.)

**ELECTRICAL EQUIPMENT
EQUIPEMENT ELECTRIQUE
ELEKTRISCHE AUSRUSTUNG
EQUIPO ELECTRICO**

JOSEPH LUCAS LTD., GREAT KING STREET, BIRMINGHAM, ENGLAND.

THE WIPAC GROUP, BLETCHLEY, ENGLAND.

CLEAR HOOTERS LTD., 33, HAMPTON STREET, BIRMINGHAM 19, ENGLAND.

**SPARK PLUGS
BOUGIES
ZUNDKERZEN
BUJIAS**

CHAMPION SPARKING PLUG CO. LTD., FELTHAM, MIDDLESEX, ENGLAND.

**SPEEDOMETERS
COMPTEURS DE VITESSES
TACHOMETER
VELOCIMETROS**

SMITH'S MOTOR ACCESSORIES, CRICKLEWOOD WORKS, LONDON, ENGLAND.

**CARBURETTERS
CARBURATEURS
VERGASER
CARBURADORES**

AMAL LTD., HOLFORD ROAD, WITTON, BIRMINGHAM 6, ENGLAND.

IceniCAM Information Service

