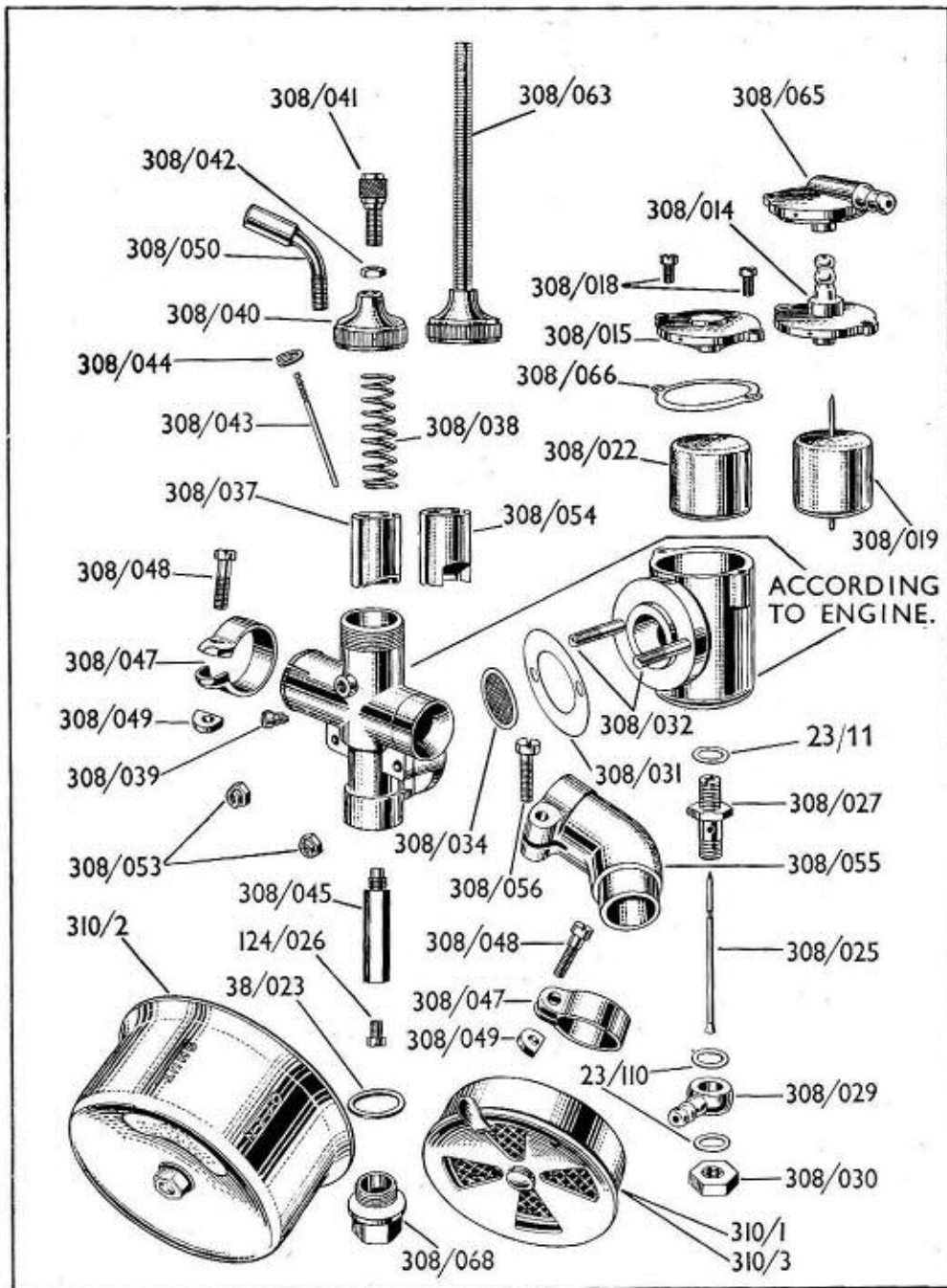


AMAL**SPARES & SETTINGS**
TYPE 308 CARBURETTOR

(THIS LIST IS PRINTED IN ENGLAND, AND IS ISSUED SUBJECT TO PRICES RULING AT THE DATE OF DELIVERY)

AMAL LTD., Holford Works, Perry Barr, BIRMINGHAM, 20

TELEPHONE: BIRCHFIELDS 4571 (5 lines).

ENGLAND.

TELEGRAMS: AMALCARB, BIRMINGHAM.

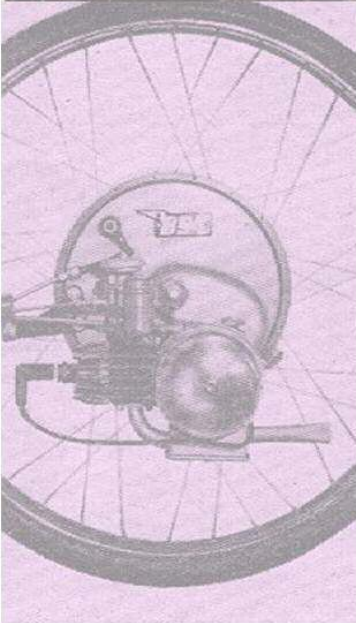
Component	308/1	308/2	308/4	308/5	308/6	308/7	List Price	
							s.	d.
Carburettor complete, less Controls & Cables	308/1	308/2	308/4	308/5	308/6	308/7	37	6
Mixing Chamber Body	308/001	308/003	308/001	308/002	308/003	308/008	7	6
Mixing Chamber Liner	—	—	—	—	—	308/064		6
Mixing Chamber Top Cover	308/040	308/040	308/040	308/040	308/040	—	1	6
Mixing Chamber Top Cover complete	—	—	—	—	—	308/063	2	3
Cable Adjuster	308/041	308/041	308/041	308/041	308/041	—		4
Cable Adjuster Locknut	308/042	308/042	308/042	308/042	308/042	—		1
Cable Guide	—	—	308/050	—	—	—		9
Throttle Valve	308/054	308/037	308/037	308/037	308/037	308/037	2	6
Throttle Spring Valve	308/038	308/038	308/038	308/038	308/038	308/038		4
Throttle Valve Locating Screw	308/039	308/039	308/039	308/039	308/039	308/039		1
Throttle Needle	308/043	308/043	308/043	308/043	308/043	308/043	1	6
Throttle Needle Clip	308/044	308/044	308/044	308/044	308/044	308/044		2
Needle Jet	308/045	308/045	308/045	308/045	308/045	308/045	2	6
Main Jet	124/026	124/026	124/026	124/026	124/026	124/026		8
Needle Jet Cover	308/068	308/068	308/068	308/068	308/068	308/068	1	0
Washer for Needle Jet Cover	38/023	38/023	38/023	38/023	38/023	38/023		2
Outlet Clip	308/047	308/047	308/047	308/047	308/047	—		9
Outlet Clip Pin	308/048	308/048	308/048	308/048	308/048	—		2
Outlet Clip Pin Nut	308/049	308/049	308/049	308/049	308/049	308/049		1
Strangler Gauze Air Intake complete	310/2	301/1	—	310/1	—	—	7	6
Elbow for Intake	—	—	—	—	—	—	2	6
Securing Screw for Elbow	—	—	—	—	—	—		3
Cable Nipple	308/051	308/051	308/051	308/051	308/051	308/051		1
Float Chamber Body	308/013	308/013	308/013	308/013	308/012	308/028	5	0
Float Chamber Body Flange Studs	308/032	308/032	308/032	308/032	308/032	308/032		3
Flange Stud Nut	308/053	308/053	308/053	308/053	308/053	308/053		2
Flange Washer	308/031	308/031	308/031	308/031	308/031	308/031		2
Filter Gauze	308/034	308/034	308/034	308/034	308/034	308/034		4
Float Chamber Cover complete	308/015	308/015	308/015	308/015	308/014	308/065	1	6
Float Chamber Cover Joint Washer	308/066	308/066	308/066	308/066	308/066	308/066		2
Cover Securing Screw	308/018	308/018	308/018	308/018	308/018	308/018		1
Float	308/022	308/022	308/022	308/022	—	—	2	6
Float Needle	308/025	308/025	308/025	308/025	—	—	1	0
Float and Needle Combined (Top Feed)	—	—	—	—	308/019	308/019	3	6
Needle Seating	308/027	308/027	308/027	308/027	—	—	1	0
Banjo	308/029	308/029	308/029	308/029	—	—	1	6
Needle Seating and Banjo Washer	23/110	23/110	23/110	23/110	—	—		1
Banjo Nut	308/030	308/030	308/030	308/030	—	—		6
Throttle Cable complete (AF1152)	224/757	—	—	—	—	—	2	3
Clutch Cable complete	244/756	—	—	—	—	—	3	6
Throttle Lever complete	355/2	—	—	—	—	—	9	0
Clutch Lever complete	18/643	—	—	—	—	—	10	6

Component	308/9	308/10	308/11	308/12	308/13	308/15	308/16	List Price
Carb. complete, less Con. and Cables	308/9	308/10	308/11	308/12	308/13	308/15	308/16	s. d. 37 6
Mixing Chamber Body	308/001	308/002	308/001	308/009	308/006	308/003	308/002	7 6
Mixing Chamber Liner	—	—	—	—	—	—	—	6
Mixing Chamber Top Cover ...	308/040	308/040	308/040	308/040	308/040	308/040	308/040	1 6
Mixing Chamber Top Cover complete	—	—	—	—	—	—	—	2 3
Cable Adjuster	308/041	308/041	308/041	308/041	308/041	308/041	308/041	4
Cable Adjuster Locknut	308/042	308/042	308/042	308/042	308/042	308/042	308/042	1
Cable Guide	—	—	308/050	—	—	—	—	9
Throttle Valve	308/037	308/037	308/037	308/037	308/037	308/037	308/037	2 6
Throttle Valve Spring	308/038	308/038	308/038	308/038	308/038	308/038	308/038	4
Throttle Valve Locating Screw ...	308/039	308/039	308/039	308/039	308/039	308/039	308/039	1
Throttle Needle	308/043	308/043	308/043	308/043	308/043	308/043	308/043	1 6
Throttle Needle Clip	308/044	308/044	308/044	308/044	308/044	308/044	308/044	2
Needle Jet	308/045	308/045	308/045	308/045	308/045	308/045	308/045	2 6
Main Jet	124/026	124/026	124/026	124/026	124/026	124/026	124/026	8
Needle Jet Cover	308/068	308/068	308/068	308/068	308/068	308/068	308/068	1 0
Washer for Needle Jet Cover ...	38/023	38/023	38/023	38/023	38/023	38/023	38/023	2
Outlet Clip	308/047	308/047	308/047	308/047	308/047	308/047	308/047	9
Outlet Clip Pin	308/048	308/048	308/048	308/048	308/048	308/048	308/048	2
Outlet Clip Pin Nut	308/049	308/049	308/049	308/049	308/049	308/049	308/049	1
Strangler Gauze Air Intake comp'te	—	310/1	310/1	310/3	—	310/1	310/1	7 6
Elbow for Intake	—	—	308/055	—	—	—	308/055	2 6
Securing Screw for Elbow	—	—	308/056	—	—	—	308/056	3
Cable Nipple	308/051	308/051	308/051	308/051	308/051	308/051	308/051	1
Float Chamber Body	308/012	308/012	308/013	308/013	308/067	308/013	308/012	5 0
Float Chamber Body Flange Studs	308/032	308/032	308/032	308/032	308/032	308/032	308/032	3
Flange Stud Nut	308/053	308/053	308/053	308/053	308/053	308/053	308/053	2
Flange Washer	308/031	308/031	308/031	308/031	308/031	308/031	308/031	2
Filter Gauze	308/034	308/034	308/034	308/034	308/034	308/034	308/034	4
Float Chamber Cover complete ...	308/014	308/014	308/015	308/015	308/015	308/015	308/014	1 6
Float Chamber Cover Joint Washer	308/066	308/066	308/066	308/066	308/066	308/066	308/066	2
Cover Securing Screw	308/018	308/018	308/018	308/018	308/018	308/018	308/018	1
Float	—	—	308/022	308/022	308/022	308/022	—	2 6
Float Needle	—	—	308/025	308/025	308/025	308/025	—	1 0
Float & Needle Combin'd (Top Feed)	308/019	308/019	—	—	—	—	308/019	3 6
Needle Seating	—	—	308/027	308/027	308/027	308/027	—	1 0
Banjo	—	—	308/029	308/029	308/029	308/029	—	1 6
Needle Seating and Banjo Washer	—	—	23/110	23/110	23/110	23/110	—	1
Banjo Nut	—	—	308/030	308/030	308/030	308/030	—	6
Throttle Cable complete	—	—	244/678	—	—	—	—	4 0
Throttle Lever	—	—	12/524	—	—	—	—	9 0

SETTINGS LIST.

Engine	Carb. Type No.	Internal Bore	Jet Size	Throttle Valve	Throttle Needle Position	Needle Jet
BANTAMOTA	308/15	.39"	27	No. 2	3	.0745
BERINI	308/1	.39"	32	No. 4	3	.0745
BUSY BEE	308/2	.312	27	No. 2	3	.078
CYCLAID	308/5	.39"	25	No. 2	3	.078
CYCLEMASTER	308/11	.39"	30	No. 2	3	.0745
CYCLEMASTER	308/11	.39"	35	No. 2	3	.0745
CYMOTA	308/12	.312"	25	No. 2	1	.078
DIESELLA	308/15	.39"	32	No. 2	3	.078
J.A.P., MODEL "O" ..	308/2	.312	27	No. 2	3	.078
MOCYC	308/16	.39	27	No. 2	5	.078
MOTOMITE	308/10	.39"	27	No. 2	3	.078

IceniCAM Information Service



www.icenicam.org.uk